

S6010 SERIES STAINLESS SOLENOID VALVES (G1/2" G3/4" G1")

GENERAL FEATURES

- Large orifice option
- Tork series S6010(NC) direct acting solenoid valves are 2/2 way normally
- Suitable for fuel and oils
- Working temperature -10°C / +160°C
- Easy and quick installation
- High reality, quality and performance; long life, corrosion resistance
- Wide pressure ratings, range of flow rate orifice options
- Ideal for the automatic control of media in a wide range of applications.
- TORK solenoid valves satisfy relevant 97/23/EC, Pressure Equipment Directive (PED) and 2006/95/ECC Low Voltage Directive (LVD)
- Coils interchangeable
- How factor Kv of each valve is indicated, so that the flow Q can be calculated as a function of pressure
- Solenoid valves must be used with filtered fluids.
- Solenoids valve can be mounted in any position without affecting operation; vertical with coil upwards preferred
- Standard pipe connection is G (BSP) (ISO 228-1) and on request; other pipe connections are available (NPT (ANSI 1.20.3))

ELECTRICAL CHARACTERISTICS

Continuous Duty :ED % 100
 Coil Insulation Class : H (180°C)
 Coil Impregnation : Polyester Fiber Glass
 Coil Encapsulation Material : Fiber Glass Reinforce
 Ambient Temperature : from -10°C; +60°C
 Protection Degree : IP 65 (EN60529) with coil duly fitted with the plug connector
 Electric Plug Connection :DIN 46340 3-poles connectors (DIN 43650)
 Connector Specification : ISO 4400 / EN 175301-803, From A, Spade plug (Cable Ø6-8mm)
 Electrical Safety :IEC 335

Standard Voltages : For AC 12V, 24V, 48V, 110V, 230V

For DC 12V, 24V, 48V, 110V

Other voltages on request;

Voltage Tolerances :For AC -15%, +10%, For DC -5%, +10%

Frequency :50 Hz, other frequencies on request; (60 Hz)

On request: connector with LED

Specify coil voltage with order

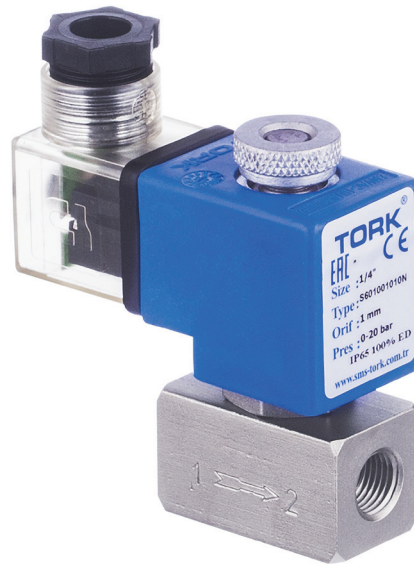
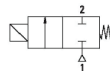
MATERIALS IN CONTACT WITH FLUID

Body : Stainless Steel
 Internal Parts : Stainless Steel
 Sealing : VITON
 Shading Ring : Copper (EN 12735-1)
 Core Tube, Springs : Stainless Steel
 On Request; sealing can be NBR, EPDM

TECHNICAL FEATURES

Max Viscosity : 5° E (-37 cSt or mm²/s)

Response Time : Opening Time: 30 ms



NORMALLY CLOSED

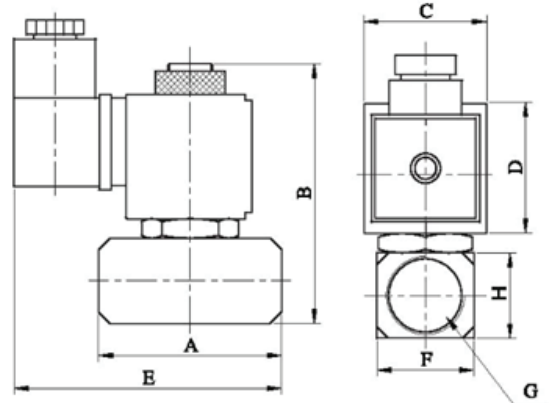
2 WAY

DIRECT OPERATED

ΔP=0



NATURAL GAS



Dimensions (mm)

G	A	B	C	D	E	F	G
1/2"	60	86.5	32	39	81.5	30	30
3/4"	60	86.5	32	39	81.5	30	30
1"	60	86.5	32	39	81.5	30	30

Model No	Connection Size	Orifice Size	Pressure min/max	Kv	Fluid Temperature min/max	Seal	
S6010	G	mm	Bar Bar	lt/dk	C° C°		kg
S6010.03.050	1/2"	5	0 7	9.2	-10 160	VITON&PTFE	0,44
S6010.03.060	1/2"	6	0 6	11	-10 160	VITON&PTFE	0,44
S6010.03.070	1/2"	7	0 5	12.4	-10 160	VITON&PTFE	0,44
S6010.03.080	1/2"	8	0 3	13.5	-10 160	VITON&PTFE	0,44
S6010.03.090	1/2"	9	0 2	16	-10 160	VITON&PTFE	0,44
S6010.04.050	3/4"	5	0 7	9.2	-10 160	VITON&PTFE	0,79
S6010.04.060	3/4"	6	0 6	11	-10 160	VITON&PTFE	0,79
S6010.04.070	3/4"	7	0 5	12.4	-10 160	VITON&PTFE	0,79
S6010.04.080	3/4"	8	0 3	13.5	-10 160	VITON&PTFE	0,79
S6010.04.050	1"	5	0 7	9.2	-10 160	VITON&PTFE	0,77
S6010.05.060	1"	6	0 6	11	-10 160	VITON&PTFE	0,77
S6010.05.070	1"	7	0 5	12.4	-10 160	VITON&PTFE	0,77
S6010.05.080	1"	8	0 3	13.5	-10 160	VITON&PTFE	0,77

S6010 SERIES STAINLESS SOLENOID VALVES (G1/8" G1/4" G3/8")

GENERAL FEATURES

- Large orifice option
- Tork series S6010(NC) direct acting solenoid valves are 2/2 way normally
- Suitable for fuel and oils
- Working temperature -10°C / +160°C
- Easy and quick installation
- High reality, quality and performance; long life, corrosion resistance
- Wide pressure ratings, range of flow rate orifice options
- Ideal for the automatic control of media in a wide range of applications.
- TORK solenoid valves satisfy relevant 97/23/EC, Pressure Equipment Directive (PED) and 2006/95/ECC Low Voltage Directive (LVD)
- Coils interchangeable
- How factor Kv of each valve is indicated, so that the flow Q can be calculated as a function of pressure
- Solenoid valves must be used with filtered fluids.
- Solenoids valve can be mounted in any position without affecting operation; vertical with coil upwards preferred
- Standard pipe connection is G (BSP) (ISO 228-1) and on request; other pipe connections are available (NPT (ANSI 1.20.3))

ELECTRICAL CHARACTERISTICS

Continuous Duty :ED % 100
 Coil Insulation Class : H (180°C)
 Coil Impregnation : Polyester Fiber Glass
 Coil Encapsulation Material : Fiber Glass Reinforce
 Ambient Temperature : from -10°C; +60°C
 Protection Degree : IP 65 (EN60529) with coil duly fitted with the plug connector
 Electric Plug Connection :DIN 46340 3-poles connectors (DIN 43650)
 Connector Specification : ISO 4400 / EN 175301-803, From A, Spade plug (Cable Ø6-8mm)
 Electrical Safety :IEC 335

Standard Voltages : For AC 12V, 24V, 48V, 110V, 230V

For DC 12V, 24V, 48V, 110V

Other voltages on request;

Voltage Tolerances :For AC -15%, +10%, For DC -5%, +10%

Frequency :50 Hz, other frequencies on request; (60 Hz)

On request: connector with LED

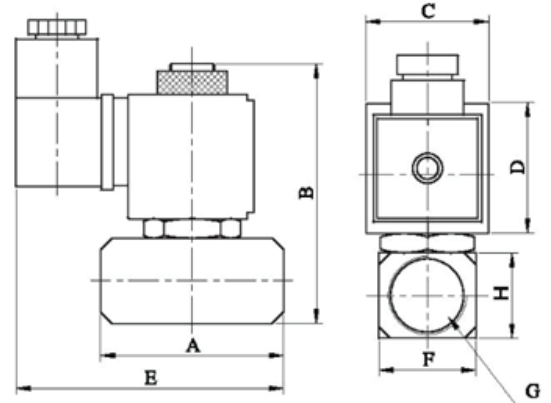
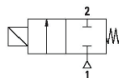
Specify coil voltage with order

MATERIALS IN CONTACT WITH FLUID

Body : Stainless Steel
 Internal Parts : Stainless Steel
 Sealing : VITON
 Shading Ring : Copper (EN 12735-1)
 Core Tube, Springs : Stainless Steel
 On Request; sealing can be NBR, EPDM

TECHNICAL FEATURES

Max Viscosity : 5° E (-37 cSt or mm²/s)
 Response Time : Opening Time: 30 ms



NORMALLY CLOSED
2 WAY
DIRECT OPERATED
 $\Delta P=0$



Dimensions (mm)							
G	A	B	C	D	E	F	H
1/8"	44.1	76.5	32	39	77.4	24.5	24.5
1/4"	44.1	76.5	32	39	77.4	24.5	24.5
3/8"	44.1	76.5	32	39	77.4	24.5	24.5

Model No	Connection Size	Orifice Size	Pressure min/max	Kv	Diyafam	Weight			
S6010	G	mm	Bar	Bar	Lt/min	C°			
S6010.00.018	1/8"	1.8	0	16	1.6	-10	160	VITON&PTFE	kg
S6010.00.025	1/8"	2.5	0	12	3.2	-10	160	VITON&PTFE	
S6010.00.030	1/8"	3	0	10	4.6	-10	160	VITON&PTFE	
S6010.00.040	1/8"	4	0	9	6.4	-10	160	VITON&PTFE	
S6010.00.050	1/4"	1.8	0	7	9.2	-10	160	VITON&PTFE	
S6010.00.060	1/4"	2.5	0	6	11	-10	160	VITON&PTFE	
S6010.01.018	1/4"	3	0	16	1.6	-10	160	VITON&PTFE	
S6010.01.025	1/4"	4	0	12	3.2	-10	160	VITON&PTFE	
S6010001.030	1/4"	5	0	10	4.6	-10	160	VITON&PTFE	
S6010.01.040	1/4"	6	0	9	6.4	-10	160	VITON&PTFE	
S6010.01.050	1/4"	5	0	7	9.2	-10	160	VITON&PTFE	
S6010.01.060	1/4"	6	0	6	11	-10	160	VITON&PTFE	
S6010.02.050	3/8"	5	0	7	9.2	-10	160	VITON&PTFE	
S6010.02.060	3/8"	6	0	6	11	-10	160	VITON&PTFE	
S6010.02.070	3/8"	7	0	5	12.4	-10	160	VITON&PTFE	
S6010.02.080	3/8"	8	0	3	13.5	-10	160	VITON&PTFE	
S6010.02.090	3/8"	9	0	2	16	-10	160	VITON&PTFE	