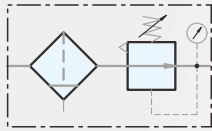


## Symbol



Filter Regulator

## Features

- \* Remove water and particle effectively.
- \* Compact size with effective air service.
- \* 40 $\mu$ m and 5 $\mu$ m filter element are easily interchangeable and replaceable.
- \* Accurate and easy pressure setting.



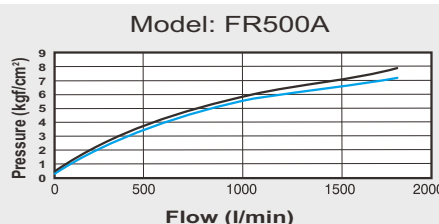
## How to order

<b>FR500A</b>	—	<b>02</b>	<b>N</b>	<b>C</b>	<b>H</b>	<b>A</b>	<b>K</b>
Miniature Filter Regulator		Port size	Thread	Filtration	Drain	Bowl	Bowl guard
		01 1/8"	Blank G	PE	Blank Semi-auto drain	Blank Standard bowl	Blank W/O guard
		02 1/4"	N NPT	Blank 5 $\mu$ m	H Manual drain	A Anti-acid & alkali bowl	K W/I guard
			R Rc	C 40 $\mu$ m	D Auto drain		
				Sintered brass			
				S 5 $\mu$ m			
				T 40 $\mu$ m			

## Specifications

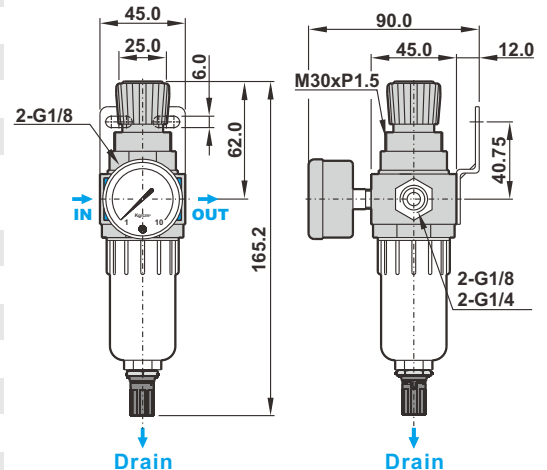
Model	FR500A-01	FR500A-02
Port size	1/8"	1/4"
Fluid	Compressed air	
Regulator construction	Diaphragm	
Body material	Polycarbonate	
Bowl material	Polycarbonate (Standard)	
Filtration	PE: 5 $\mu$ m (Standard) · 40 $\mu$ m (Option) Sintered brass (Option): 5 $\mu$ m · 40 $\mu$ m	
Operating pressure range	0.5 ~ 10 kgf/cm <sup>2</sup>	
Proof pressure (Standard bowl)	12 kgf/cm <sup>2</sup>	
Max. flow rate l/min (ANR)	1840	1940
Ambient temperature	-10 $^{\circ}$ C ~ 60 $^{\circ}$ C	
Filter bowl capacity	35cc	
Standard drain	Semi-auto drain (Drains below 0.5kgf/cm <sup>2</sup> )	
Net weight	370g	
Accessories	Pressure gauge, Mounting bracket, Plug, Screw x 2	

## Flow chart



## Dimensions

### FR500A-01, 02



### Note:

- X axis: Flow (l/min)
- Y axis: Pressure (kgf/cm<sup>2</sup>)
- Blue line (P0) = Outlet pressure
- Black line (P1) = Inlet pressure
- P1-P0 = Pressure range