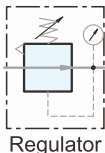


## Symbol



## Features

- \* Accurate and easy pressure setting.
- \* Panel mounting is available.



## How to order

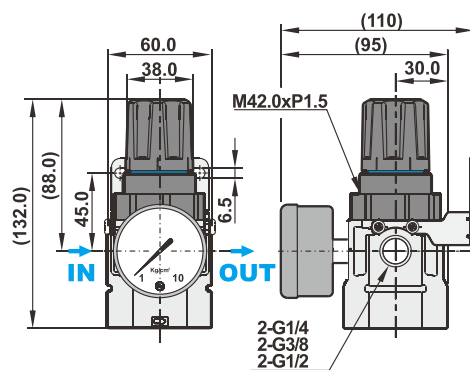
|            |   |           |      |          |     |            |
|------------|---|-----------|------|----------|-----|------------|
| <b>NUR</b> | — | <b>02</b> |      | <b>N</b> |     | <b>G</b>   |
| Regulator  |   | Port size |      | Thread   |     | Gauge type |
|            |   | 02        | 1/4" | Blank    | G   | Blank      |
|            |   | 03        | 3/8" | N        | NPT | Square     |
|            |   | 04        | 1/2" | R        | Rc  | Circle     |

## Specifications

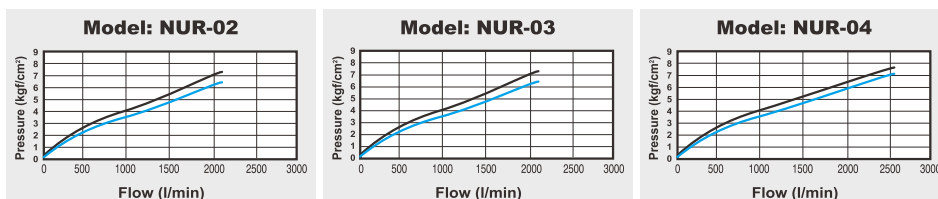
| Model                      | NUR-02                       | NUR-03 | NUR-04 |
|----------------------------|------------------------------|--------|--------|
| Port size                  | 1/4"                         | 3/8"   | 1/2"   |
| Fluid                      | Compressed air               |        |        |
| Regulator construction     | Piston                       |        |        |
| Body material              | Aluminum die-cast            |        |        |
| Operating pressure range   | 0.5 ~ 10 kgf/cm <sup>2</sup> |        |        |
| Proof pressure             | 15 kgf/cm <sup>2</sup>       |        |        |
| Max. flow rate l/min (ANR) | 2100                         | 2130   | 2750   |
| Ambient temperature        | -10°C ~ 60°C                 |        |        |
| Net weight                 | 560g                         | 550g   | 540g   |
| Accessories                | Mounting bracket, Screw x 4  |        |        |
| Option                     | Mounting nut                 |        |        |

## Dimensions

### NUR-02, 03, 04



## Flow chart



### Note:

- X axis: Flow (l/min)
- Y axis: Pressure (kgf/cm<sup>2</sup>)
- Blue line (P0)= Outlet pressure
- Black line (P1)= Inlet pressure
- P1-P0= Pressure range