

#### Features

- \* To be installed in moving devices like air cylinder, slide...etc.
- \* Various operating styles.
- \* Panel bore size  $\phi 30$  (Option  $\phi 25$ ).



#### How to order

**MSV8632 - 01 N R G**

Mechanical valves		Port size		Thread		Operator				Operator color	
MSV8622	Single	01	1/8"	Blank	G	R	Roller	PB	Palm button (Mushroom)	Blank	Standard color
MSV8642	Stack			N	NPT	RL	One way roller	PP	Palm button (Flush)	G	Green
MSV8632	Single (with exhaust port)			R	Rc	TB	Twist selector	PPL	Palm button (Extended)	B	Black
MSV8662	Stack (with exhaust port)			LB		EB	Long twist selector	EB	Stop cock button	Y	Yellow

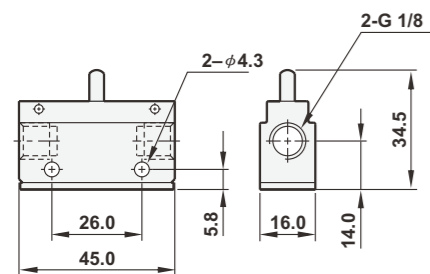
\* MSV8642 & MSV8662 for TB operator only.

#### Specifications

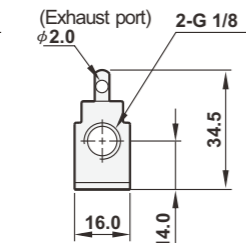
Model	MSV8632-01	MSV8642-01TB
Port size	1/8"	
Body material	Aluminum alloy	
Panel dimension	30mm (Option:25mm)	
Fluid	Compressed air	
Sectional area	1.8mm <sup>2</sup>	
Operating pressure range	0 ~ 9 kgf/cm <sup>2</sup>	
Max. operating pressure	10 kgf/cm <sup>2</sup>	
Ambient temperature	-10°C ~ 60°C	
Standard operator color	Black: TB, LB; Red: PB, PP, PPL, EB	

#### Dimensions

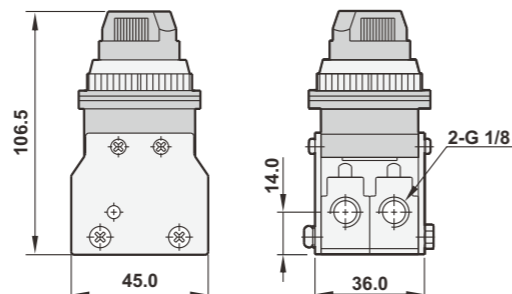
##### MSV8622-01



##### MSV8632-01

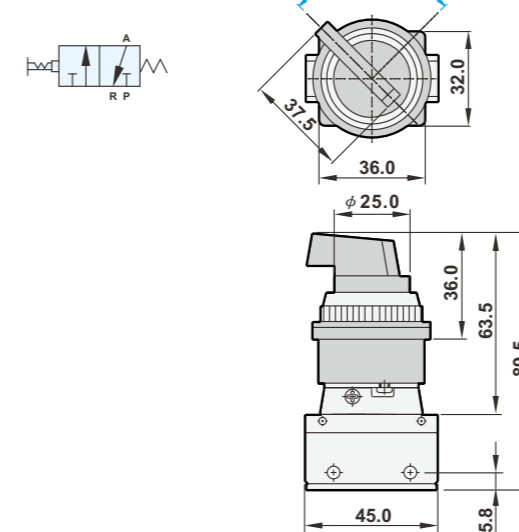


##### MSV8642-01TB MSV8662-01TB

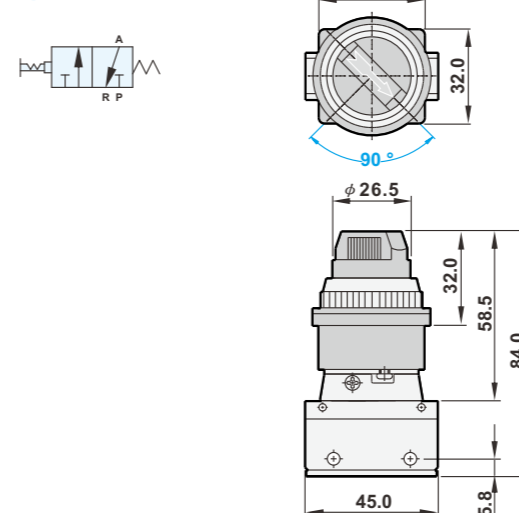


#### Dimensions

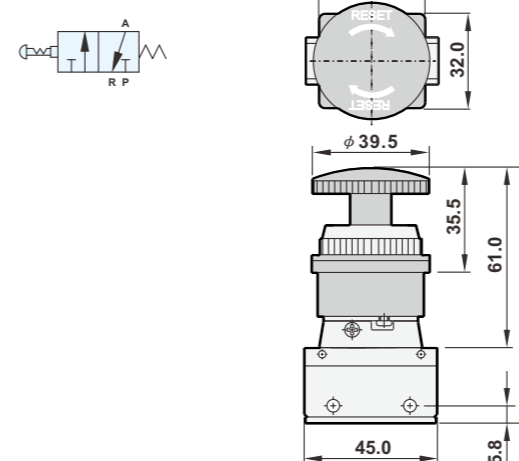
##### LB



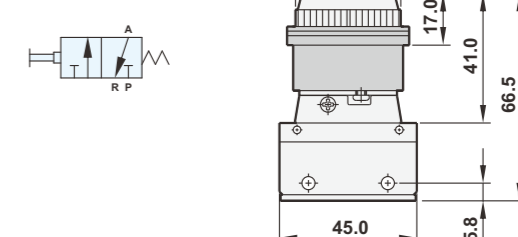
##### TB



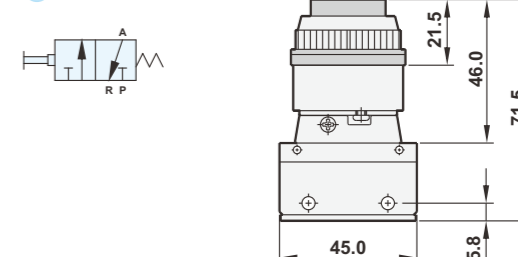
##### EB



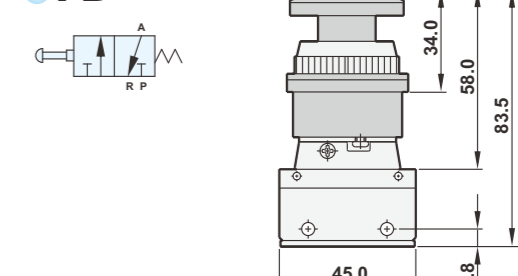
##### PP



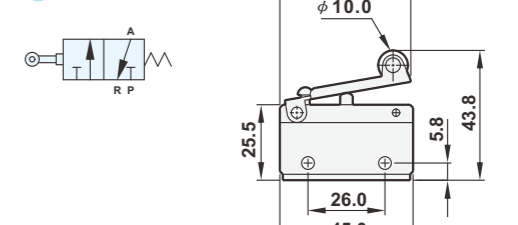
##### PPL



##### PB



##### R



##### RL

