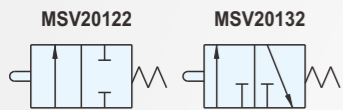


Symbol



Features

- \* Miniature and compact size
- \* Quick response with large flow rate

How to order

**MSV20122**

Mechanical valves

MSV20122	2/2 way
MSV20132	3/2 way

**01**

Port size

01	1/8"
----	------

**N**

Thread

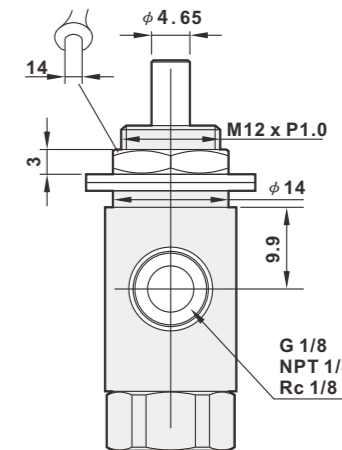
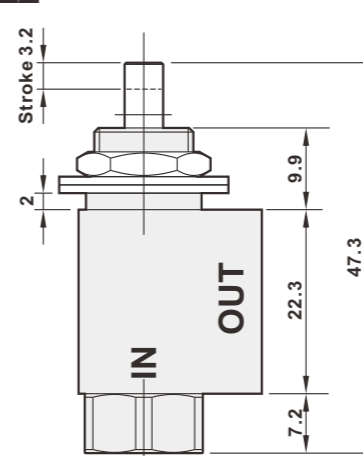
Blank	G
N	NPT
R	Rc

Specifications

Model	MSV20122-01	MSV20132-01
Port size	1/8"	
Body material	Forged Brass	
Panel diameter	12mm	
Fluid	Compressed air	
Effective area	8.5mm <sup>2</sup>	
Operating pressure range	0 ~ 9 kgf/cm <sup>2</sup>	
Proof pressure	10kgf/cm <sup>2</sup>	
Ambient temperature	-10°C ~ 60°C	
Net weight	70g	
Force for full stem actuation	53 Oz.nominal	

Dimensions

MSV20122



MSV20132

