

Features

- * One valve is okay for N.O or N.C use.
- * 7 kinds of installation.
- * Panel bore size ϕ 12.

301P patent number in China :
ZL200530157285.1

301V patent number in China :
ZL200530157282.8



How to order

MSV30132

Mechanical valves

3/2 way

01

Port size

01 1/8"

N

Thread

Blank	G
N	NPT
R	Rc

V

Operator

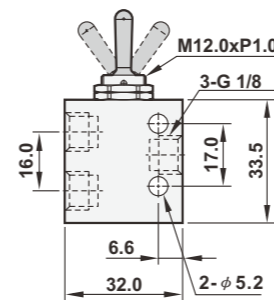
V	Toggle lever
R	Roller
P	Push button
D	One way roller
B	Ball plunger
A	Air pilot
F	Finger button

Specifications

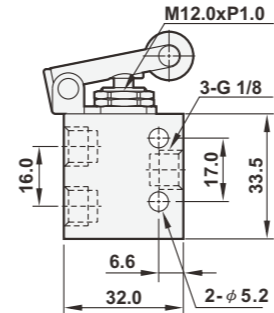
Model	MSV30132-01
Port size	1/8"
Body material	Aluminum alloy
Panel dimension	12mm
Fluid	Compressed air
Sectional area	5.5mm ²
Operating pressure range	0 ~ 9 kgf/cm ²
Air pilot operation	Starting pressure: 3.5 ~ 4.5 kgf/cm ²
Proof pressure	10 kgf/cm ²
Ambient temperature	-10°C ~ 60°C

Dimensions

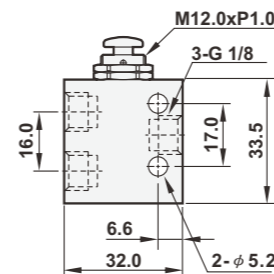
MSV30132-01V



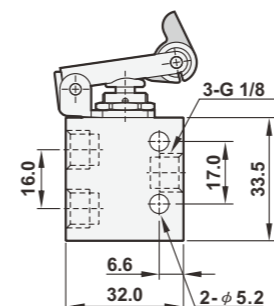
MSV30132-01R



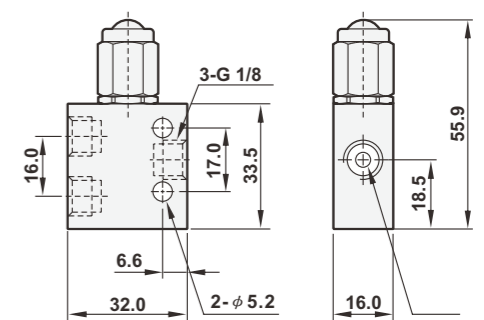
MSV30132-01P



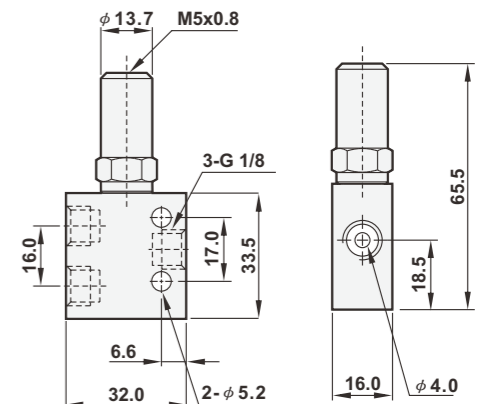
MSV30132-01D



MSV30132-01B



MSV30132-01A



MSV30132-01F

