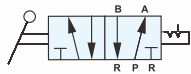


### Features

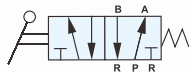
- \* Simply operating.
- \* Suitable for vacuum operation.
- \* Available for panel mounting.
- \* Mounting bracket as optional accessory.
- \* TSV8652R-01/02 for manifold assembly.

### Symbol

- TSV8652 M TSV9652 M



- TSV8652 S TSV9652 S



### How to order

<b>TSV8652</b>	<b>R</b>	-	<b>02</b>	<b>N</b>	<b>M</b>	<b>F</b>	
Hand control valves	Manifold		Port size	Thread		Acting	Mounting bracket
52 5/2 way	Blank	Standard	01 1/8"	Blank	G	S Spring return	Blank W/O bracket
	R	Manifold type	02 1/4"	N	NPT	M Detent	F W/I mounting bracket
			03 3/8"	R	Rc		For 1/8", 1/4" only.

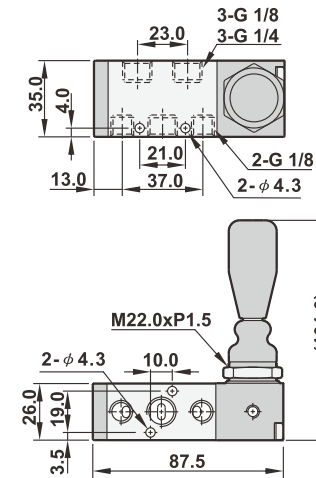
<b>TSV9652</b>	-	<b>02</b>	<b>N</b>	<b>M</b>	<b>F</b>
Hand control valves	Port size		Thread	Acting	Mounting bracket
52 5/2 way	02	1/4"	Blank G	S Spring return	Blank W/O bracket
			N NPT	M Detent	F W/I mounting bracket
			R Rc		

### Specifications

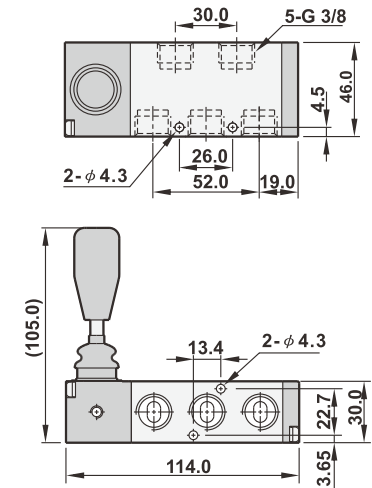
Model	TSV8652(R)-01M(S)	TSV8652(R)-02M(S)	TSV9652-02M(S)	TSV8652-03M
Port size	1/8"	1/4"	1/4"	3/8"
Body material	Aluminum alloy			
Fluid	Compressed air			
Sectional area	18mm <sup>2</sup>	18mm <sup>2</sup>	18mm <sup>2</sup>	35mm <sup>2</sup>
Operating pressure range	0 ~ 9 kgf/cm <sup>2</sup>			
Proof pressure	10 kgf/cm <sup>2</sup>			
Ambient temperature	-10°C ~ 60°C			
R type	For 1/8", 1/4" port only			

### Dimensions

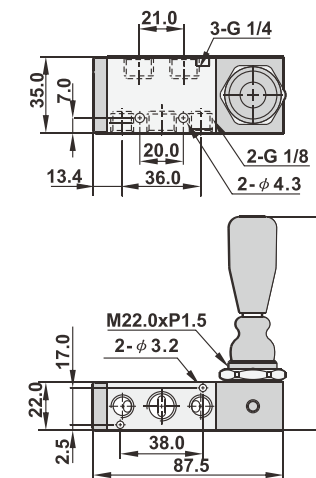
#### ● TSV8652-01, 02M(S)



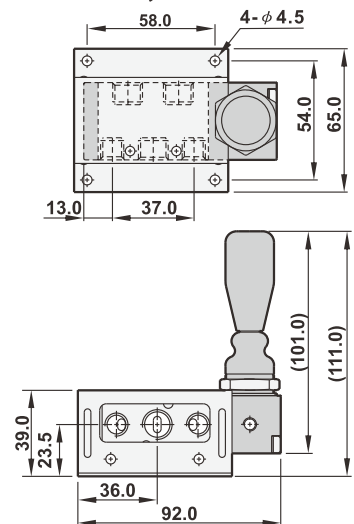
#### ● TSV8652-03M(S)



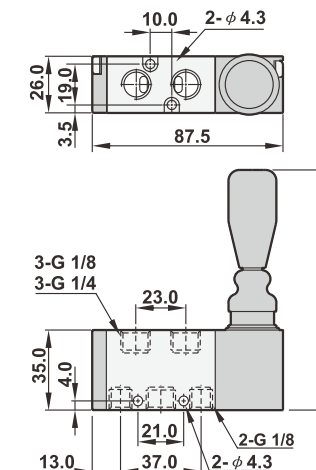
#### ● TSV9652-02M(S)



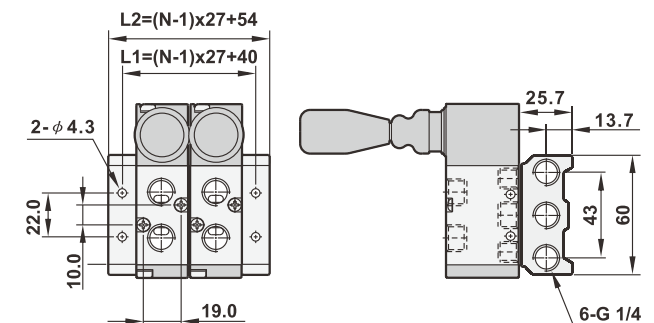
#### ● TSV8652-01, 02MF



#### ● TSV8652R-01,02



#### ● MF520-0202



Number of station (N)	2	3	4	5	6	7	8	9	10
L1	67	94	121	148	175	202	229	256	283
L2	81	108	135	162	189	216	243	270	297