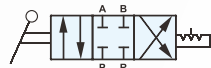
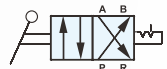


Symbol

TSV30043



TSV30042



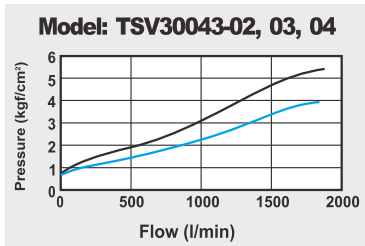
Features

- * Simply operating.
- * Large flow rate.
- * High safety.
- * Light weight.
- * 4 kinds of installation.
- * Cock design for safety operation.

How to order

TSV30043		02	N	B
Rotary valves		Port size	Thread	Valve type
TSV30043	4/3 way	02 1/4"	Blank G	Blank Standard
TSV30042	4/2 way	03 3/8"	N NPT	B Ports on bottom
		04 1/2"	R Rc	C With cock device
				P With panel mounting

Flow chart

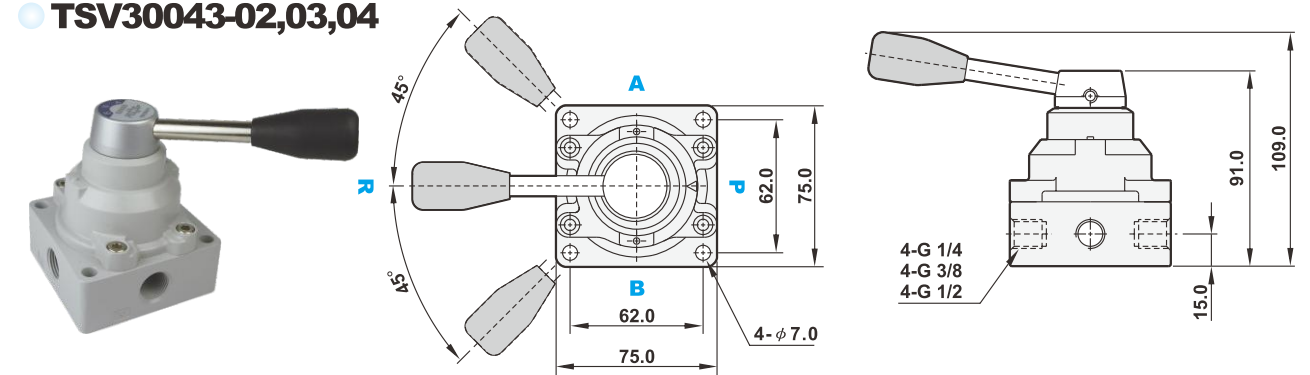


Specifications

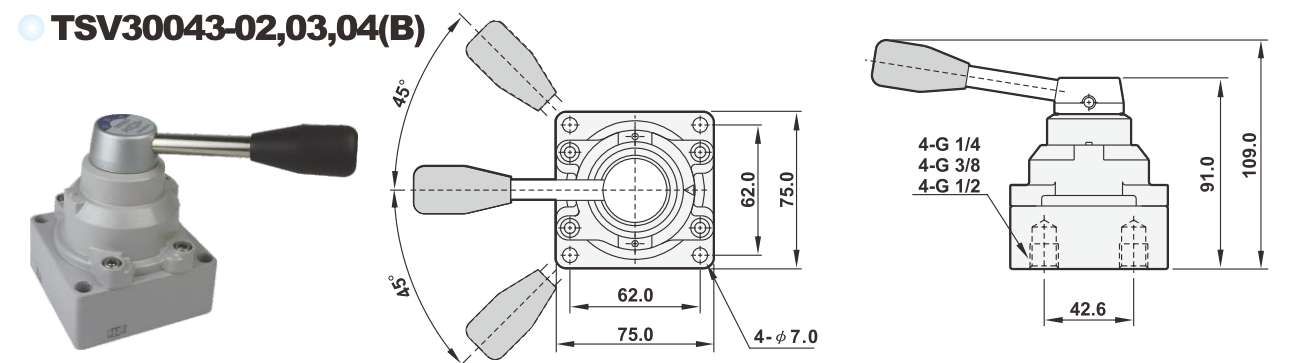
Model	TSV30043(2)-02	TSV30043(2)-03	TSV30043(2)-04
Port size	1/4"	3/8"	1/2"
Body material	Aluminum alloy		
Panel dimension	M40 x P1.5 (For panel mounting only)		
Fluid	Compressed air		
Sectional area	18mm ²		
Operating pressure range	0 ~ 9 kgf/cm ²		
Proof pressure	10kgf/cm ²		
Ambient temperature	-10°C ~ 60°C		
Net weight	600g	580g	560g

Dimensions

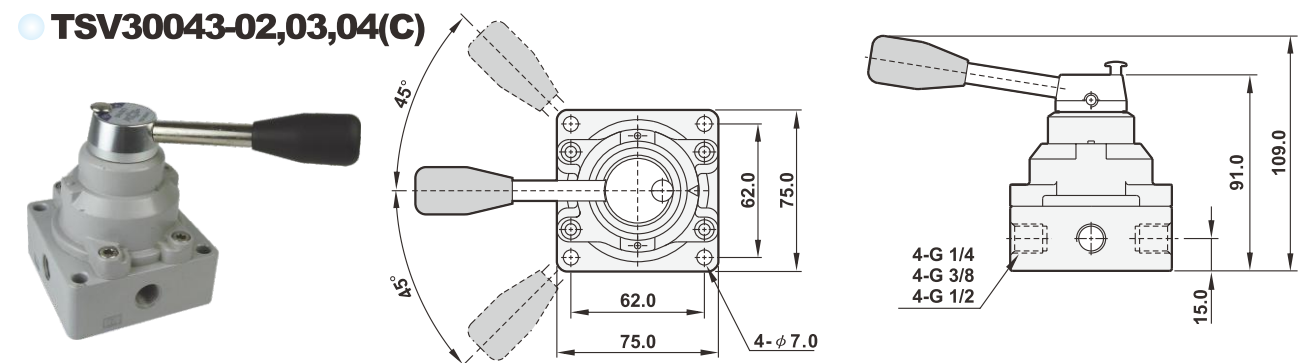
TSV30043-02,03,04



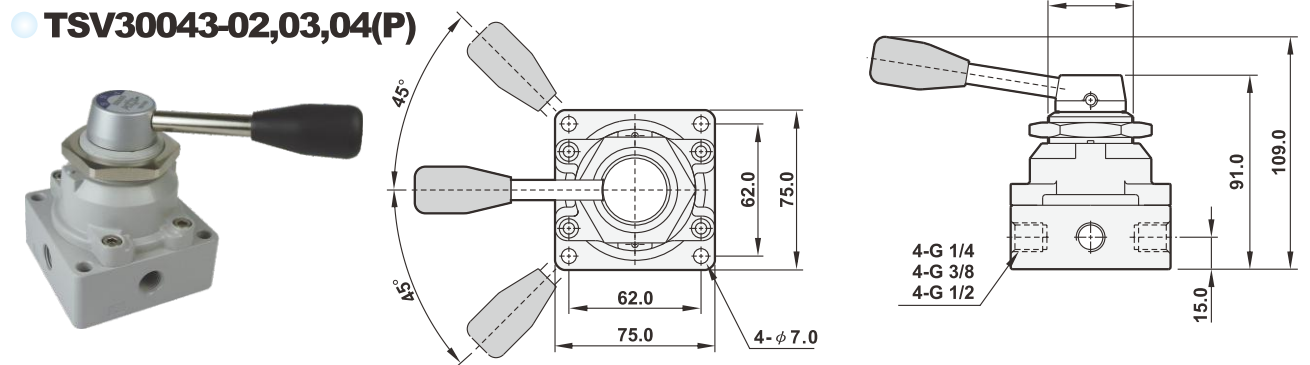
TSV30043-02,03,04(B)



TSV30043-02,03,04(C)

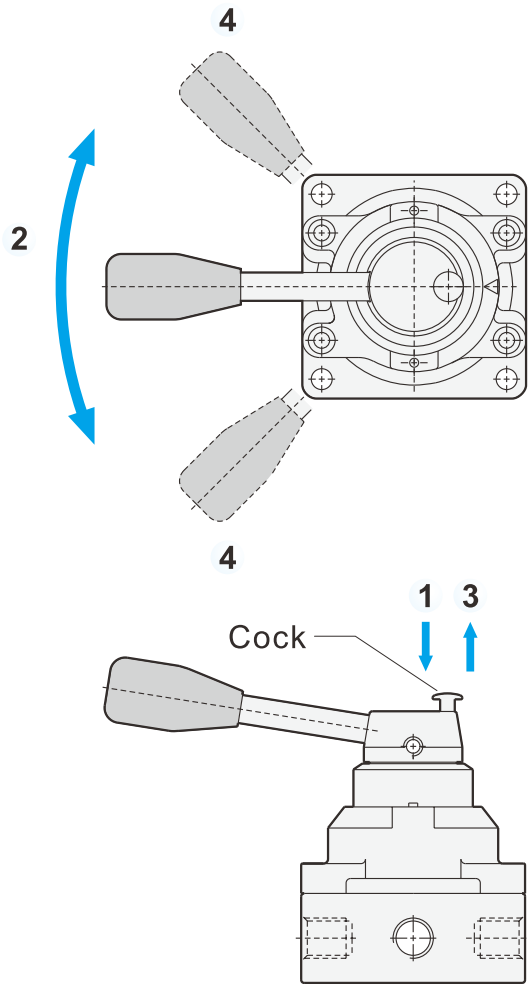


TSV30043-02,03,04(P)

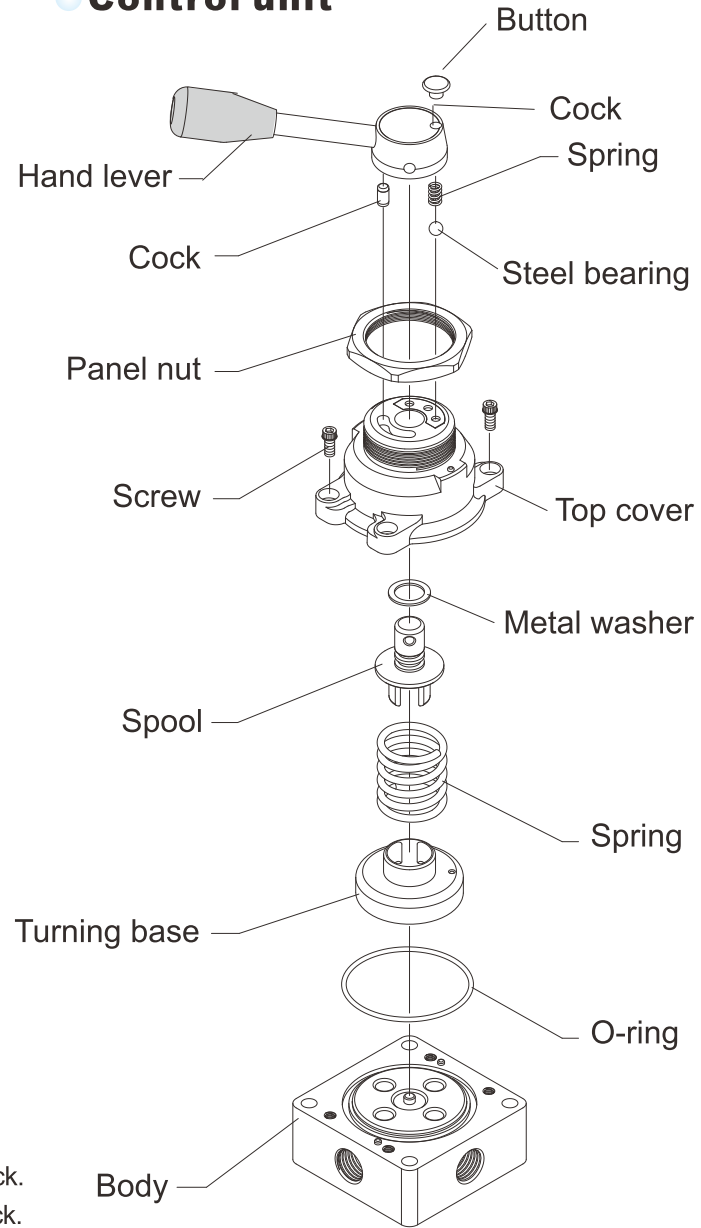


Explosion

Operating steps TSV30043 C

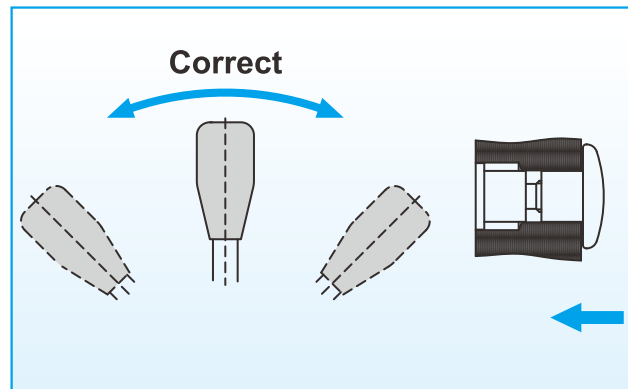
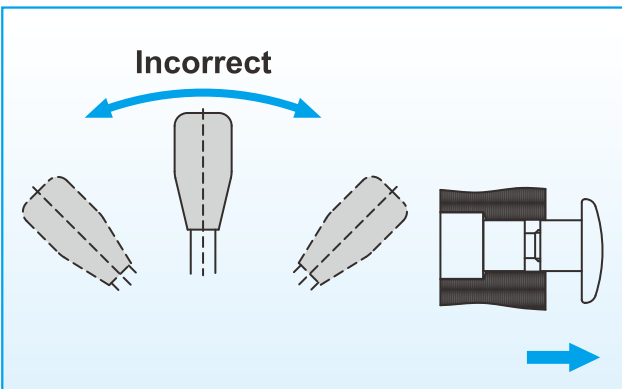


Control unit



Operating steps

1. Push the cock down.
2. Turn lever to the left or right.
3. Lift your hand to release cock, the cock bound back.
4. Please do not turn lever when the cock bound back.



A series of horizontal dashed lines for handwritten notes.

MECHANICAL VALVES

MECHANICAL VALVES

