

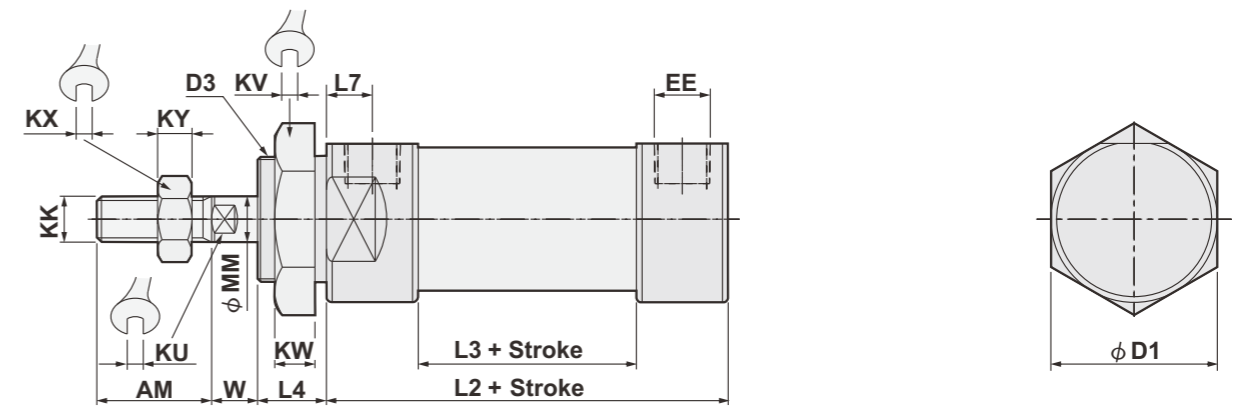
Features

* Miniature size and space saving.



Dimensions

PMALC Boss-cut type



How to order

PMAL	32	B	50	M	SF	1
Type	Bore size	Stroke	Sensor type	Sensor type	Number of sensor	
PMAL Standard type	20 ϕ 20		Blank W/O magnet	Blank W/O sensor	1 pc	
PMALC Boss-cut	25 ϕ 25		M W/I magnet	SF LED in front	2 pcs	
PMALD Double rod	32 ϕ 32			AL-20R		
PMALA Stroke adjustable 25mm	40 ϕ 40			ST LED on top		
PMALB Stroke adjustable 50mm				AL-21R		

Stroke table

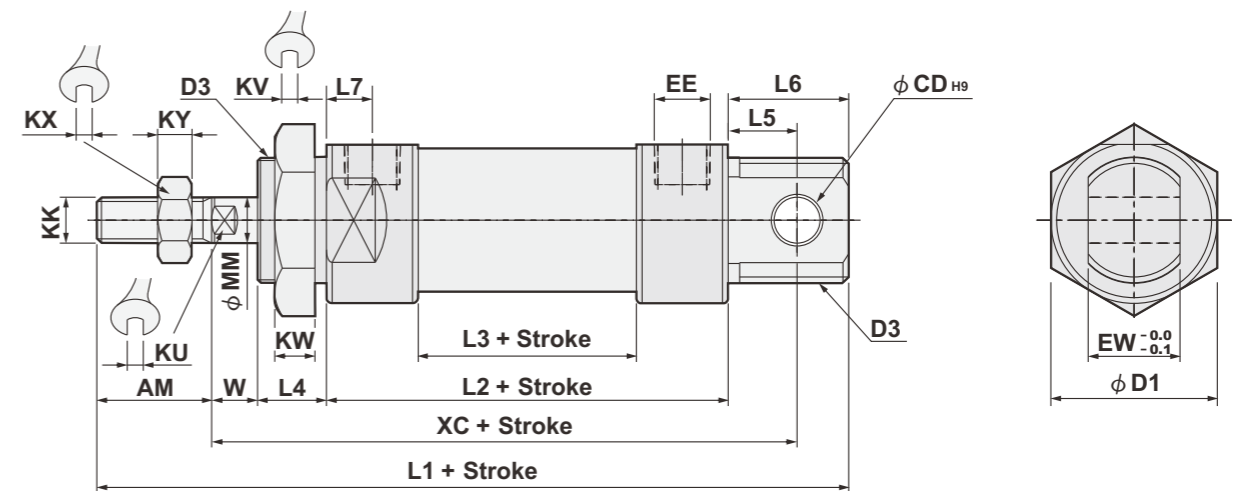
Bore size	Acting	Stroke table (mm)	Max. stroke(mm)
ϕ 20	Double acting	25 50 75 80 100 125 160 175 200 250 300	500
ϕ 25		25 50 75 80 100 125 150 160 175 200 250 300	800
ϕ 32		350 400 450 500	1000
ϕ 40			

※ Please contact our sales for non-standard stroke.

Specifications

Bore size	ϕ 20	ϕ 25	ϕ 32	ϕ 40
Port size	1/8"		1/4"	
Fluid	Compressed air			
Acting	Double acting			
Operating pressure range	1.5 ~ 8.5 kgf/cm ²			
Max. operating pressure	9.5 kgf/cm ²			
Barrel material	Aluminum alloy			
Ambient temperature	-5°C ~ 60°C			
Piston speed	50~700mm/Sec			

PMAL Standard integrated clevis type



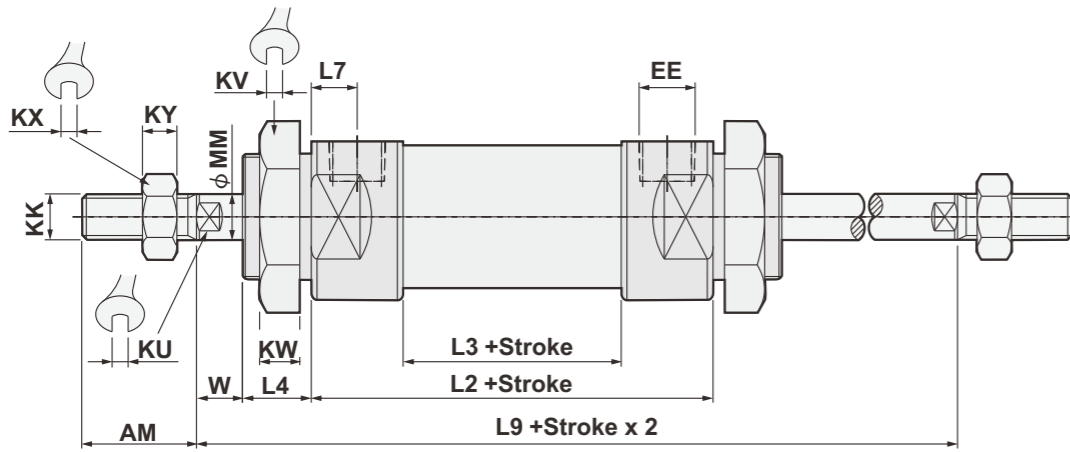
(Unit: mm)

Bore size	AM	D1	ϕ CD	D3	L1	L2	L3	L4	L5	L6	L7
ϕ 20	20	24	ϕ 8	M22xP1.5	131	70	38	12	12	21	8
ϕ 25	22	34	ϕ 8	M22xP1.5	135	70	38	14	12	21	8
ϕ 32	22	39.5	ϕ 10	M24xP2.0	141	70	38	14	15	27	8
ϕ 40	24	49.5	ϕ 12	M30xP2.0	165	92	48	14	15	27	11

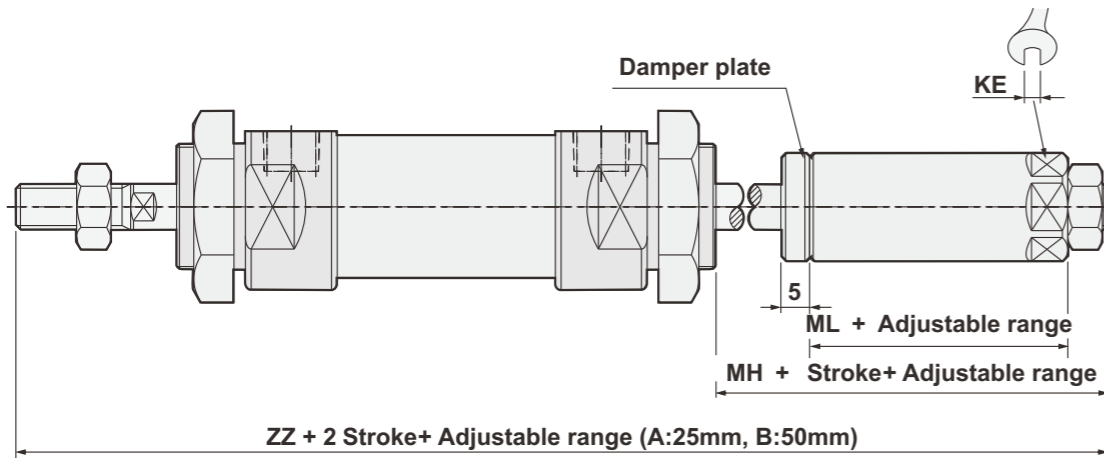
Bore size	KK	KU	KV	KW	KX	KY	MM	W	EW	XC	EE
ϕ 20	M8xP1.25	6	30	6	11	4	ϕ 8	8	16	102	G 1/8
ϕ 25	M10xP1.25	8	30	6	17	6	ϕ 10	8	16	104	G 1/8
ϕ 32	M10xP1.25	10	32	8	17	6	ϕ 12	8	16	107	G 1/8
ϕ 40	M12xP1.25	14	41	8	19	7	ϕ 16	8	20	129	G 1/4

Dimensions

PMALD Double rod type



PMALA Stroke adjustable 25MM
PMALB Stroke adjustable 50MM



(Unit: mm)

Bore size	AM	L2	L3	L4	L7	EE	KU	KV	KW	KX	KY
φ 20	20	70	38	12	8	G1/8	6	30	6	11	4
φ 25	22	70	38	14	8	G1/8	8	30	6	17	6
φ 32	22	70	38	14	8	G1/8	10	32	8	17	6
φ 40	24	92	48	14	11	G1/4	14	41	8	19	7

Bore size	MM	W	KK	L9	ZZ	MH	ML	KE
φ 20	8	8	M8xP1.25	110	153	31	20	17
φ 25	10	8	M10xP1.25	114	159	31	20	17
φ 32	12	8	M10xP1.25	114	161	33	22	22
φ 40	16	8	M12xP1.25	136	187	35	22	27

