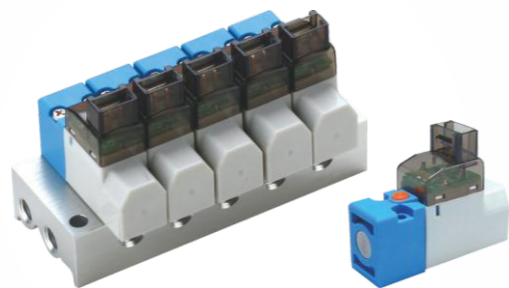


## Features

- \* Miniature and compact size, quick response, lubricant free.
- \* Plug with standard JPC design (with LED). Built-in surge protection and nonpolarity design efficiently reduce possibility of short circuit.
- \* Low power consumption 0.8W.



## How to order

<b>VM320</b>	-	<b>9</b>
3/2 way		Voltage
		7 12VDC
		9 24VDC

## How to order manifold

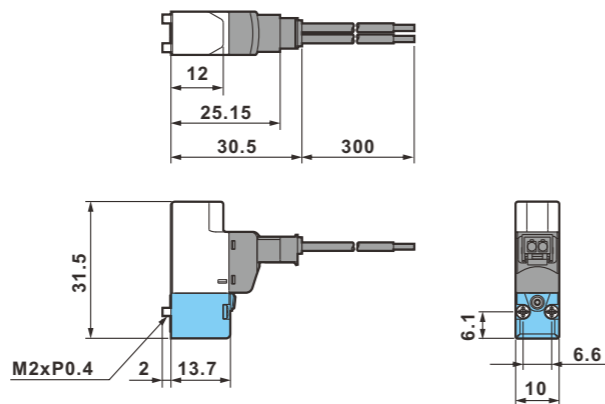
<b>VM320M</b>	-	<b>M5</b>	<b>02</b>
3/2 way		Port size	Stations
			02 2 stations
			03 3 stations
			XX XX stations

## Specifications

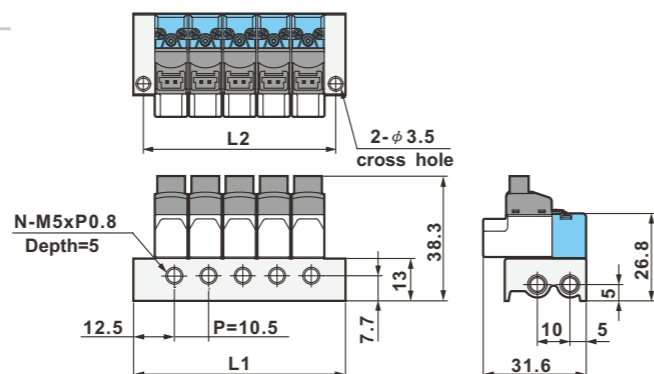
Model	VM320
Port size	M5
Body width	10mm
Body material	POM
Fluid	Compressed air
Acting	Direct acting
Effective area	0.14mm <sup>2</sup>
Operating pressure range	0 ~7 kgf/cm <sup>2</sup>
Max. Cycle rate	20Hz
Ambient temperature	-10℃ ~ 50℃
Duty cycle	100% ED
Electrical connection	JPC plug connector
Protection class	Dust proof
Voltage tolerance	±10%
Standard voltage(power)	12VDC, 24VDC
Net weight	10g

## Dimensions

### VM320



### VM320M



Number of station (N)	2	3	4	5	6	7	8	9	10
L1	33.5	44	54.5	65	75.5	86	96.5	107	117.5
L2	27.5	38	48.5	59	69.5	80	90.5	101	111.5



SOLENOID VALVES

SOLENOID VALVES