

LIFTRONIC® - LINEAR



MAX GROSS
CAPACITY
208 KG



VERTICAL
STROKE
MAX 1.41 M



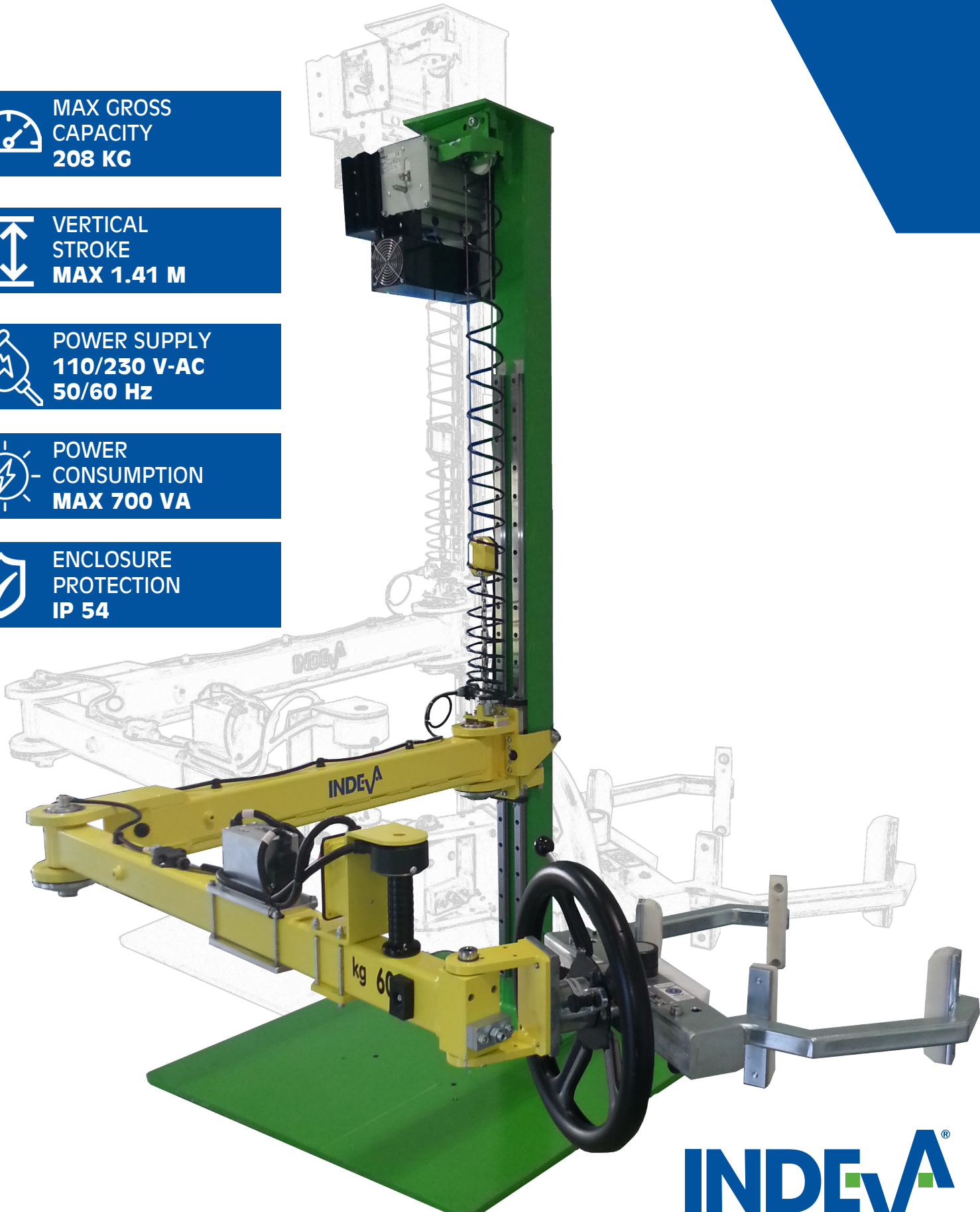
POWER SUPPLY
110/230 V-AC
50/60 Hz



POWER
CONSUMPTION
MAX 700 VA



ENCLOSURE
PROTECTION
IP 54

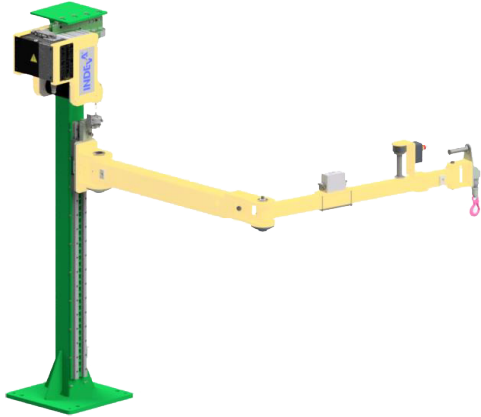


LIFTRONIC® WITH COLUMN & ORBIT-ARM

Two models available:

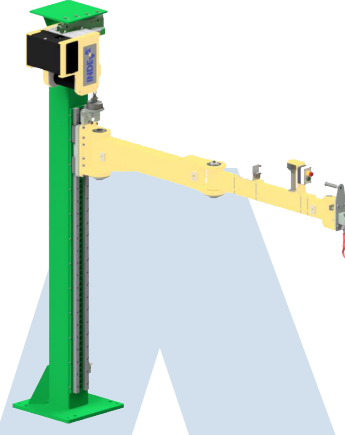
For Light model

TWO ropes
THREE ropes



For Heavy model

THREE ropes
FOUR ropes



	LIGHT MODEL							
	LM160L	LM240L	LM160L	LM240L	LM160L	LM240L	LM160L	LM240L
Gross load cap.(Kg)	52	75	60	105	67	140	74	154
Max vert stroke C (mm)	1410*							
R2 (mm) out-of-reach area	828	828	700	700	575	575	450	450
R (mm)	3000	3000	2500	2500	2000	2000	1500	1500
Speed - max load (mm/sec)	300	200	300	200	300	200	300	200
Max rotation around column axis (deg)	180°							

* Increased vertical stroke is possible (refer to INDEVA technical office)

Weight of hook + hook support + sensitive handle + base control unit = 10 kg (for special tooling you can add 10 kg more to the gross load).

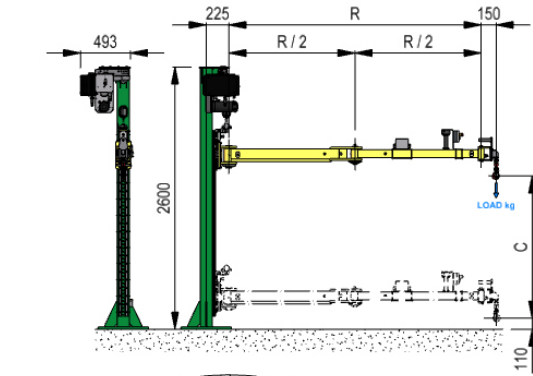
	HEAVY MODEL										
	LM240H	LM240H	LM320H	LM240H	LM320H	LM240H	LM320H	LM240H	LM320H	LM240H	LM320H
Gross load cap.(Kg)	85	95	120	104	165	112	192	120	200	128	208
Max vert stroke C (mm)	1410*										
R2 (mm) out-of-reach area	1320	1165	1165	1010	1010	850	850	695	695	540	540
R (mm)	4000	3500	3500	3000	3000	2500	2500	2000	2000	1500	1500
Speed - max load (mm/sec)	200	200	150	200	150	200	150	200	150	200	150
Max rotation around column axis (deg)	180°										

* Increased vertical stroke is possible (refer to INDEVA technical office)

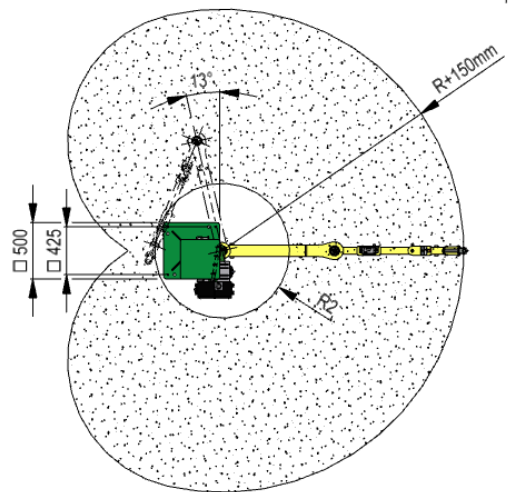
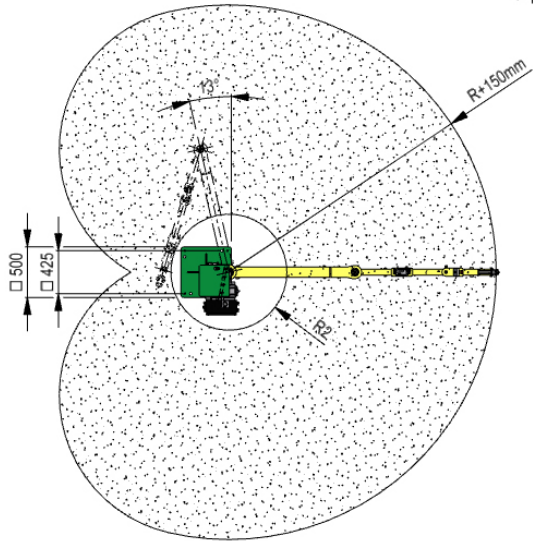
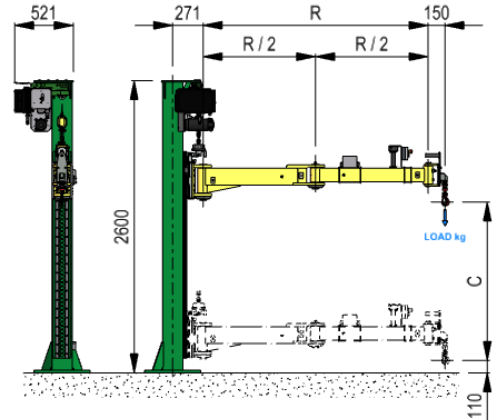
Weight of hook + hook support + sensitive handle + base control unit = 10 kg (for special tooling you can add 10 kg more to the gross load).

Holes for mechanical anchor bolt: Ø27
Holes for chemical anchor bolt: Ø19

Light model:



Heavy model:



LINEAR MANIPULATOR - CAPACITIES TABLE

		ARM LENGTH R1 (m)										
		1.5	1.75	2.00	2.25	2.50	2.75	3.00	3.25	3.50	3.75	4.00
L = Light - LM160L	Load cap kg	74*	70*	67*	63*	60*	56*	52*	-	-	-	-
L = Light - LM240L	Load cap kg	154*	150*	140	122	105	90	75	-	-	-	-
H = Heavy - LM240H	Load cap kg	128*	124*	120*	116*	112*	108*	104*	100*	95*	90*	85
L = Heavy - LM320H	Load cap kg	208*	204*	200*	196*	192*	185	165	140	120	-	-

- *Max capacity with load at max distance from hook axis of 300 mm
Contact Technical department for loads overhanging more than 300 mm from hook axis
- Max capacity with load on hook axis, due to structural limits of the arm
For loads overhanging up to 300 mm the capacity is reduced: see value on the right
Contact Technical department for loads overhanging more than 300 mm from hook axis
- - N/A

Standard features:

- Arm length = 2.5 m with base control unit, swivel joint and sensitive handle
- Column paint colour: GREEN RAL 6018
- Arm and tooling paint colour: YELLOW RAL 1018
- Safety block
- Cooling fan motor

Optionals on request:

- Paint color: other than standard
- Control unit and dedicated tooling
- Air kit for custom gripper
- Arm joint retainer
- Electromagnetic brake
- Pneumatic brake
- Zone sensor
- Base platform with adjustable feet