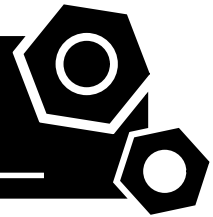


Generator set

Open type

WCS1100

SPECIFICATIONS



1 Standards & Conditions

Design Standards

The designs and the productions are in conformity with:

- ISO8528
- GB/T2820
- YD/502-2007
- JB/T20136-2006

Environmental Operating Conditions

- Installation place: Indoors (well ventilated).
- Ambient temperature: -25°C to 50°C. The coolant heater is needed when the temperature is below 5°C
- Humidity: Less than 80%.
- Altitude: Below one thousand (1000) meters above sea Level.

Factory Inspection

- Inspection items.
- Protection devices working test.
- Starting ability in normal temperature.
- 50% rated power load moment capability.
- Voltage deviation and speed variation: 0%, 25%, 50%, 75%, 100%, 110% Load.

Painting Process

- Painting process specifications and colors are based on the manufacturer's standard.
- The customer could also choose the color which the manufacturer offers.

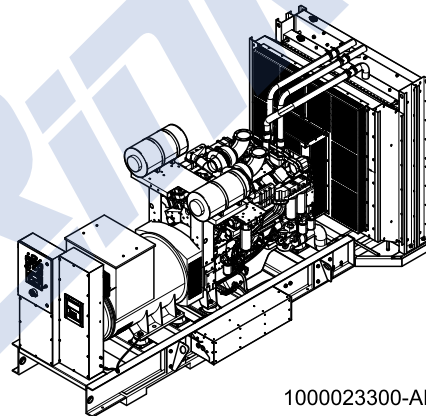
2 General Features

- Cummins engine QST30-G4
- Close coupled to a Stamford alternator HCI634J
- Microprocessor control module PLC-7420
- ABB main circuit breaker: 1600A
- Rotate speed governor: Electronic fuel injection governor
- Excitation System: PMG
- A.V.R.Model: MX321
- Key switch
- Emergency stop switch

- ATS (automatic transfer switch) receptacle
- 4x12V/200AH sealed for life maintenance free battery
- Lockable battery isolator switch
- 50°C radiator
- Oil pump on the engine
- Steel base frame with lifting lugs
- Vibration isolators between the engine/alternator and base frame
- Dry type air filter
- Operation Manual / Specifications

3 Equipment Specification

General technical data

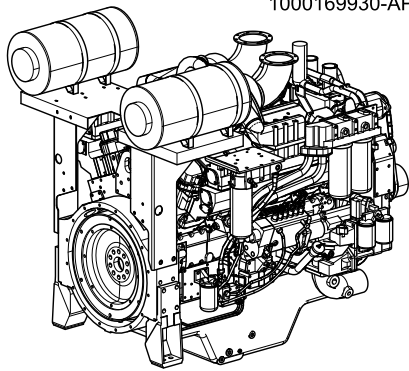


1000023300-AP1-F2

Model.....	WCS1100
Structure type	A
Tank capacity.....	N/A
Dry weight.....	7189kg
Noise level @7m	N/A
Sound power level acc. 2000/14/EC	N/A
Dimensions L×W×H.....	4819x1942x2300mm
Standby Power	1100kVA/880kW
Prime Power	1000kVA/800kW

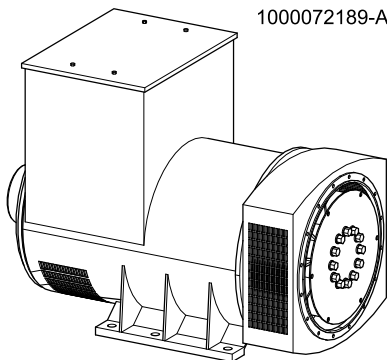
Voltage	380V	400V	415V	440V	
Ampere	1519A	1443A	1391A	1312A	
Genset Fuel Consumption					
Frequency/Load	25%	50%	75%	100%	110%
50Hz (L/h)	51.3	96.9	143.4	191.9	212.8

Dck Yf' GrghYa



1000169930-AP1-A6

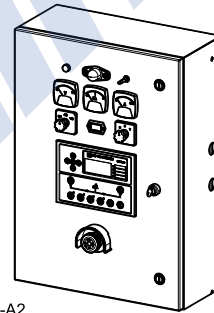
Engine Manufacturer/Brand	Cummins
Engine Model	QST30-G4
Dimensions L×W×H.....	2026×1422×1650mm
Dry Weigh (approx.)	3012kg
Number of Cylinders.....	12
Bore.....	140mm
Stroke	165mm
Displacement.....	30.48L
Compression Ratio	14
Type of injection.....	Direct Injection
Intake System.....	Turbocharged, air-to-air charged cooled
Intake Resistance	≤6.22kPa
Cooling System	Water cooled
Fan	Pusher
Battery Voltage	24V
Type of Fuel.....	No.2 or ASTM D975
Type of Oil	API CD/SE or CCMCD4
Oil Capacity	154L
Type of Coolant	Glycol mixture
Coolant Capacity(engine only)	79L
Back Pressure	≤6.8kPa
Standby Power970kW
Prime Power880kW
Fuel Consumption(100%load)202L/h



1000072189-AP1-A1

Alternator Manufacturer/Brand	Stamford
Alternator Model	HCI634J
Exciter.....	Brushless
Cooling Fan	Cast alloy aluminum
Windings.....	100% copper
Insulation Class	H
Winding Pitch.....	.2/3
Terminals	6
Drip Proof	IP23
Altitude.....	≤1000m
Overspeed2250 rpm
Air Flow.....	1.614m³/s(50HZ), 1.961m³/s(60HZ)
Voltage Regulation	±0.5%
Total harmonic TGH / THCat no load < 1.5 % - on load < 5%	
Telephone Interference.....	THF<2%;TIF<50

PLC-7420 Control System



1000227670-AP1-A2

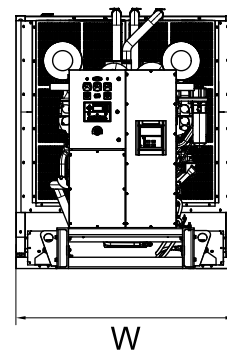
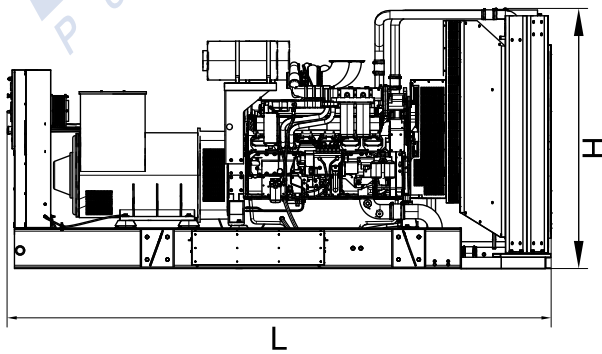
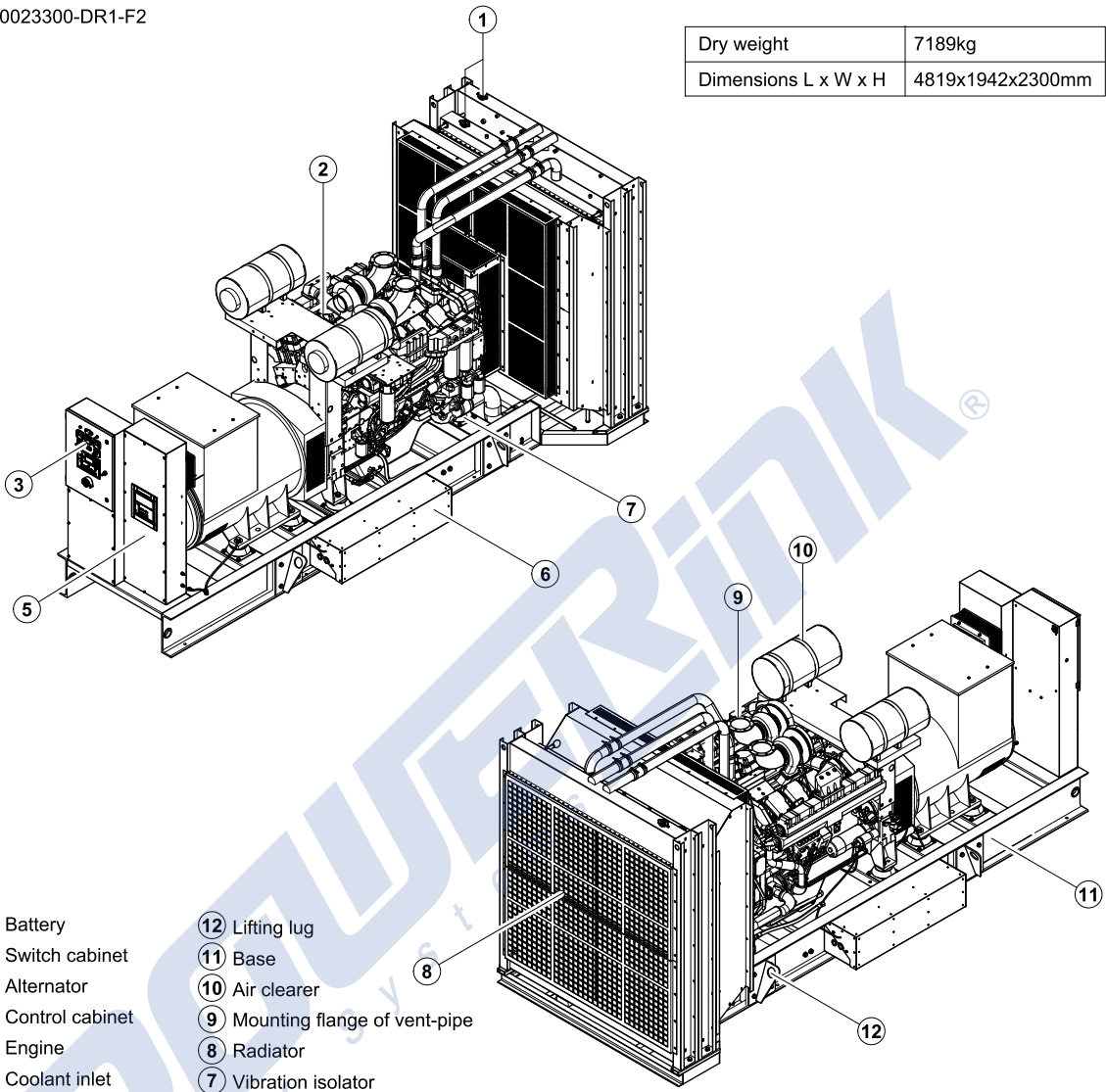
PLC-7420 is an advanced control module based on micro-processor, containing all necessary functions for protection of the genset and the breaker control. It can monitor the mains supply, and automatically start the engine when the mains is abnormal. Accurately measure various operational parameters and display all values and alarms information on the LCD. In addition, the control module can automatically shut down the engine and indicate the engine failure.

- Microprocessor control, with high stability and credibility
- Monitoring and measuring operational parameters of the mains supply and genset
- Indicating operation status, fault conditions, all parameters and alarms
- Multiple protections; multiple parameters display, like pressure, temp. etc.
- Manual, automatic and remote work mode selectable
- Real time clock for time and date display, overall runtime display, 250 log entries
- Overall power output display
- Integral speed/frequency detecting, telling status of start, rated operation, overspeed etc.
- Communication with PC via RS485 OR RS232 interface, using MODBUS protocol

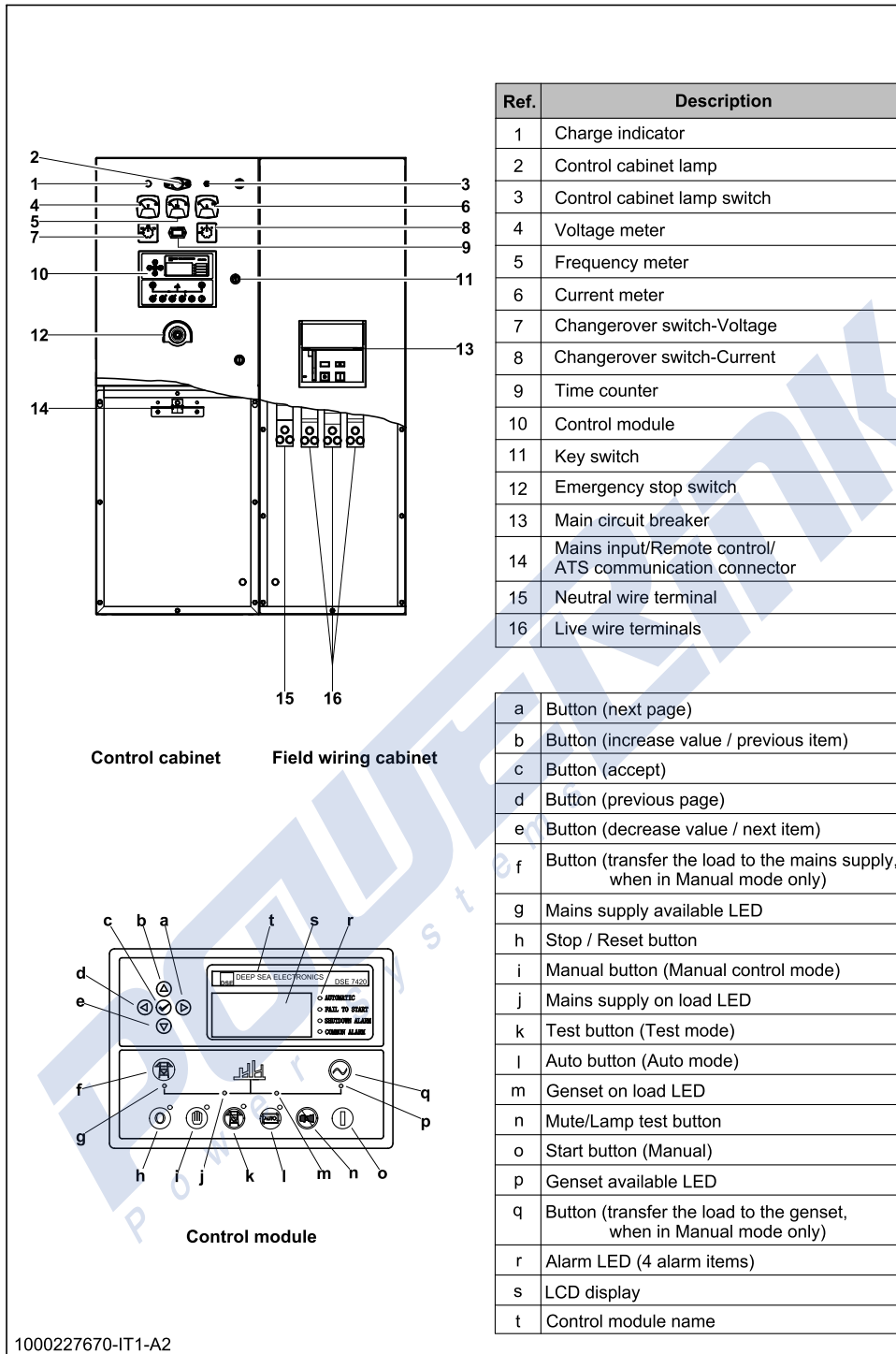
4 Overall Dimensions

1000023300-DR1-F2

Dry weight	7189kg
Dimensions L x W x H	4819x1942x2300mm



5 Control System



1000227670-IT1-A2

1000023300-F2-E
04.2014

POWERLINK[®]
Power Systems

<http://www.powerlinkworld.com>

*Specification may change without prior notice. For more info.,
contact Power Link or your local distributors please.*