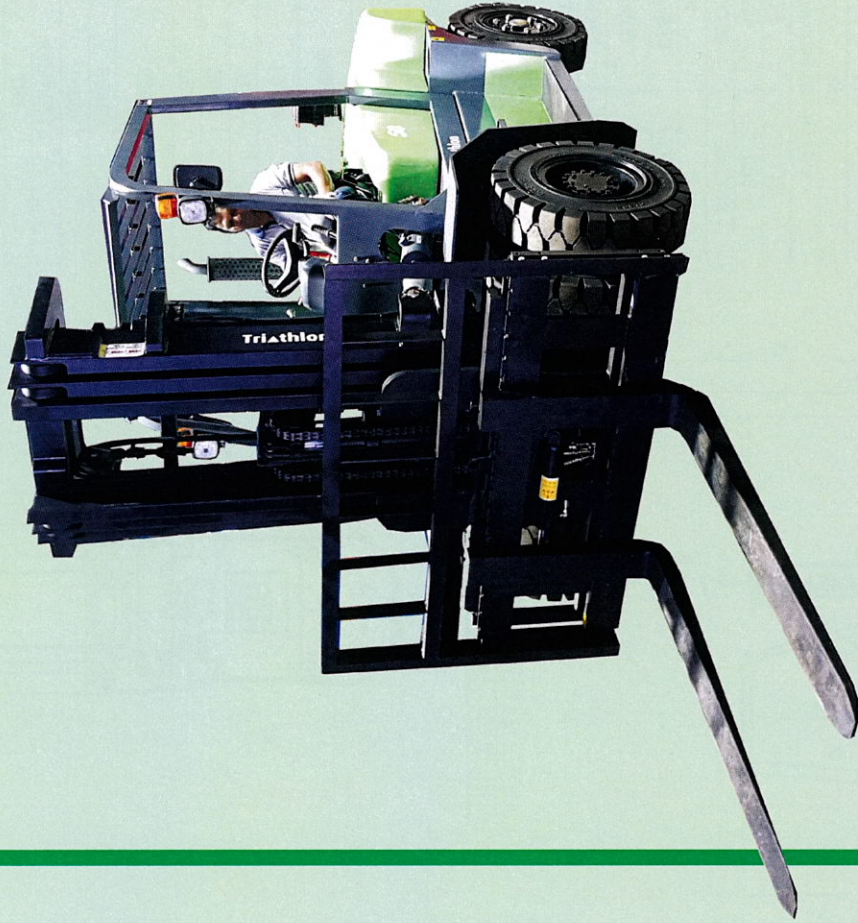


DIESEL ENGINE FORKLIFT

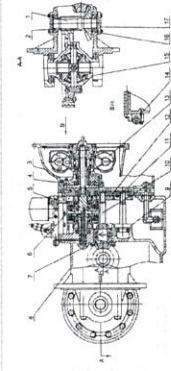
CPC/CPCD 4.0 Ton

CPCD 5.0 Ton



Triathlon

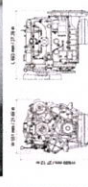
DIESEL ENGINE FORKLIFT



Our YQX18, YQX25, YQX30 model hydrodynamic transmission gear box consists of hydrodynamic torque converter and power shift, which has two shifts(forward/reverse) transmission box.

Triathlon

Triathlon



We implant a strong 'heart' to our forklift - SUZUKI engine.
Quality Guaranteed and Performance delivered.



We ensure you have the right and suitable forks that carry out your daily operation smoothly. Length range from 1.07m (3.5ft) to 1.82m (6ft). Option for forged fork or sleeve.



We supply wide combination of wheels between Perumatic (Air-pump) Tyre and Solid Tyre.



Wide range of spare parts available. We ensure strong and immediate spare parts support



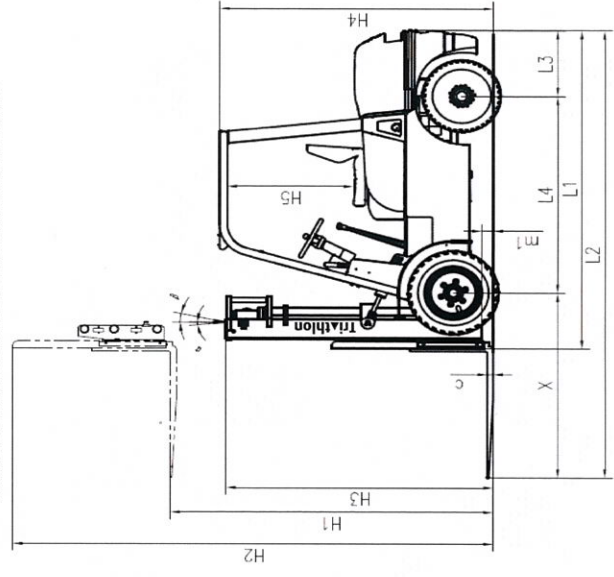
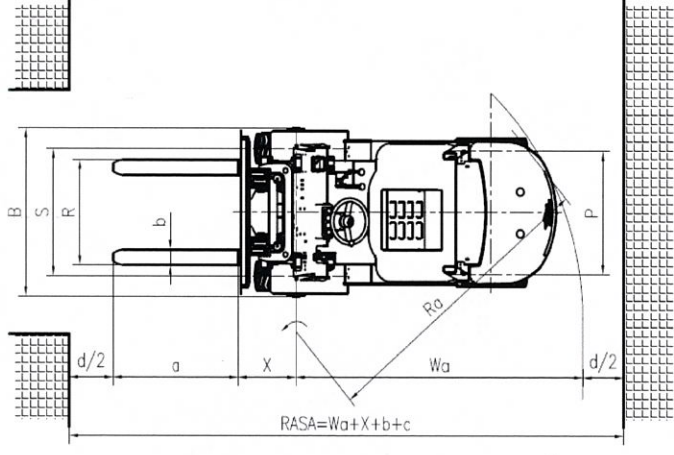
Our experienced and dedicated technicians are ready to provide you immediate after sales, servicing and maintenance support.



We have complete part list book and service manual, for on-time support

CPC / CPCD 2.0 to 3.5 Ton

DIESEL ENGINE FORKLIFT



| Model | | CPC40 / CPCD40 | CPCD50 |
|-------|---------------------------------------------|----------------------|----------------------|
| 1 | Model | | |
| 2 | Power Type | Diesel | Diesel |
| 3 | Rated Capacity | 4000 | 5000 |
| 4 | Load Centre | 500 | 500 |
| 5 | Lift Height | 3000 | 3000 |
| 6 | Fork Size | 1070X150X50 | 1070X150X50 |
| 7 | Mast Tilt Angle | 6°/12° | 6°/12° |
| 8 | Front Overhang (Wheels center to fork face) | 548 | 560 |
| 9 | Ground Clearance (Bottom Of mast) | 120 | 160 |
| 10 | Length of fork (With/Without fork) | 4064/2963 | 4320/3218 |
| 11 | Overall Width | 1400 | 1490 |
| 12 | Mast Lowered Height | 2180 | 2245 |
| 13 | Mast Extended Height (With backrest) | 4260 | 4260 |
| 14 | Overhead Guard Height | 2185 | 2290 |
| 15 | Turning Radius (outside) | 2739 | 2974 |
| 16 | Min. intersecting aisle | 2800 | 3100 |
| 17 | Travel (Full/Empty load) | 17/18 | 18/19 |
| 18 | Speed | 300/400 | 380/410 |
| 19 | Max. Gradeability | 20 | 20 |
| 20 | Tire | Front | 250-15-18PR |
| 21 | | Rear | 7.00-12-12PR |
| 22 | Wheelbase | 1850 | 2100 |
| 23 | Self weight | 5800 | 6600 |
| 24 | Battery | CA498 | [12/80]X2 |
| 25 | Model | 4JG2 | S6S |
| 26 | Manufacturer | DaChai | ChaoChai |
| 27 | Rated output/r.p.m. | 45/2450 | 81/2500 |
| 28 | Rated torque/r.p.m. | 190/1700-1900 | 186/1600-1800 |
| 29 | No. of Cylinder | 4 | 6 |
| 30 | Bore x Stroke | 98X105 | 102X118 |
| 31 | Displacement | 3168 | 5795 |
| 32 | Fuel Tank Capacity | 90 | 110 |
| 33 | Transmission | Mechanical/Hydraulic | Mechanical/Hydraulic |
| 34 | Stage | 1/1(2/2) / 1/1 | 2/2 |
| 35 | Operating Pressure for Attachment | 17.5 | 18.5 |

CONTACT US: