



KHENG CHEONG CO PTE LTD

Your Preferred Stockist in the Marine and Oil & Gas Industry

VALVE TECHNOLOGY FOR THE MARITIME AND PROCESSING INDUSTRY



Quick-Closing Valve Systems



Pn. Control Cabinet with Pressure Vessel



Hydraulic Release Unit



Electric Control Cabinet



Quick-closing Valves, Hydr./pn.



Quick-closing Valve with Bellows Seal



Electric Quick-Closing Valve

ARMATUREN-WOLFF quick-closing valves and quick-closing valve systems are worldwide in service on board of ships as well as in land-based industries. With its long experience in the development and production of these products, ARMATUREN-WOLFF counts among the leading manufacturers around the world. High quality is essential for these safety-relevant components. As with all products from ARMATUREN-WOLFF, the manufacturing processes in Hamburg follow strict quality and testing standards. Type Approvals and certifications by nearly all major classification societies confirm reliability and quality.

The large variety of material combinations, patterns and nominal sizes enables an individual solution for every requirement. Also the calculation and layout of complete systems is part of the service of a profound technical advice. Apart from the conventional hydraulic or pneumatic release mechanisms as well as the manual actuation, ARMATUREN-WOLFF offers also an internationally unique and patented concept, developed in-house: the electric quick-closing valve!

Filtration Technology

Products for the filtration of liquid fluids with various mesh sizes belong to the core competencies of ARMATUREN-WOLFF. A large selection of basic designs, an extensive choice of materials and multiple optional extras offer the ideal solution for every specific technical purpose and guarantee reliability in operation.



Mud Box with Diff. Pressure Indicator



Filter, Angle Pattern



Filter Out of Seawater-resistant Aluminium

Valve Chests

With one of the largest stocks of casing patterns, ARMATUREN-WOLFF is in the position to realize numerous designs and geometries, entirely in accordance with customer requirements. Different material combinations are also available to meet the requirements of every application.

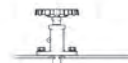


Combined Suction Valve Chest, Remotely Controlled



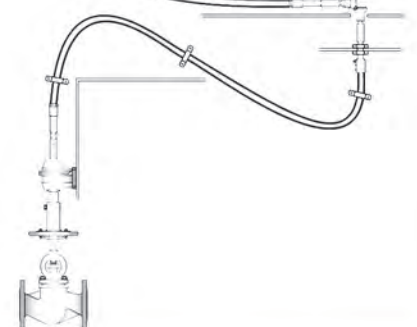
Combined Suction Valve Chest, Manually Operated

Flexible Reach Rods



For situations where a valve has to be turned over a longer distance, in a place difficult to access or in a hazardous area (e.g. gases, steam or high temperatures), ARMATUREN-WOLFF has got the ideal solution: a torsionally stiff steel cable for the mechanical remote operation of valves - the Flexible Reach Rod out of the TRAMISTEC product line!

Easy planning and simple installation (suitable also for refit), easy handling and a high operational safety are important advantages of the Flexible Reach Rod. With its permanent corrosion protection, absolutely maintenance-free, the Flexible Reach Rod guarantees on uncomplicated and efficient use.



Marine Industry

JIS Standard

BRONZE, CAST IRON & CAST STEEL VALVES - PRODUCT OF KOREA

GLOBE VALVES, GLOBE CHECK VALVES



BRONZE: 5K, 16K
CAST IRON: 5K, 10K, 16K
CAST STEEL: 5K, 10K, 16K, 20K, 30K
STAINLESS STEEL: 5K, 10K, 16K

ANGLE VALVES, ANGLE CHECK VALVES



BRONZE: 5K, 16K
CAST IRON: 5K, 10K, 16K
CAST STEEL: 5K, 10K, 16K, 20K, 30K, 40K
STAINLESS STEEL: 5K, 10K, 16K

GATE VALVES



BRONZE: 5K, 10K
CAST IRON: 5K, 10K, 16K
CAST STEEL: 5K, 10K

SWING CHECK VALVES



BRONZE: 5K
CAST IRON: 5K, 10K

MARINE EQUIPMENT SUPPLY CAPABILITIES



- Water Strainer
- Simplex Oil Strainer
- Duplex Oil Strainer
- Mud Box
- Fittings
- Flanges
- High Velocity Vacuum Valve
- Toilet Unit
- Air Vent Head
- Flow Meter



Marine and Oil & Gas



주성일하이테크
SUNGIL HITECH

KJIC



Butterfly Valve Type: Wafer, Lug, Double Flange

Material:

Cast Iron, Ductile Iron, Cast Steel, Stainless Steel,
Aluminum Bronze

Size Range:

1 1/2" to 48"

Rating:

ANSI 150#, 300# & 600#

JIS 5K, 10K & 16K

DIN PN6, PN10 & PN16

Seats:

EPDM, NBR, VITON, TEFLON & METAL SEAT

Manual Operation:

Lever & Worm Gear Operated

Remote Operation:

Electric, Pneumatic & Hydraulic Actuated



Check Valve Type: Wafer, Flange, Solid Lug

Material:

Carbon Steel, Stainless Steel, Duplex,
Aluminum Bronze

Rating:

ANSI 150# ~ 1500#

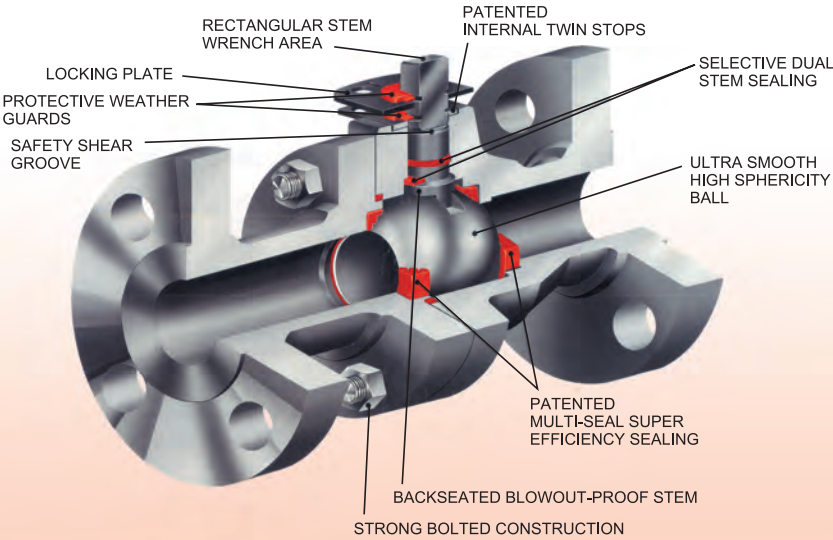


Oil & Gas

BALL VALVES, CHECK VALVES AND NEEDLES VALVES

API Standard

BALON® BALL VALVE



The BALON Series T Trunnion-Mounted Ball Valve



- ✓ Full-range sealing
- ✓ Fire tested as standard
- ✓ 100% American made

BALON CORPORATION

SERIES F SCREWED END



SERIES LM SCREWED END



SERIES LS SCREWED END



SERIES F SCREWED END



SERIES F FLANGED END



API THIN/LONG WAFER (NACE) CHECK VALVE



SERIES F FLANGED END



SERIES F FLANGED END



NEEDLE VALVE



Oil & Gas

API Standard



Ball Type:
Floating Ball, Trunnion Mounted Ball

Material:
Carbon Steel, Low Temp Carbon Steel, Stainless Steel, Duplex Stainless Steel, Aluminum Bronze

Rating:
ANSI 150# ~ 2500#

CLASS	SIZE
150#	1/2 ~ 48"
300#	1/2 ~ 48"
600#	1/2 ~ 48"
900#	2 ~ 36"
1500#	2 ~ 30"
2500#	2 ~ 14"



Connection:
ANSI Flange, Socket-Weld, Butt-Weld, Threaded End

Seats Material:
PTFE, RPTFE, NYLON, PEEK, METAL SEAT

Manual Operation:
Lever, Gear Operated

Remote Operation:
Electric, Pneumatic, Hydraulic Actuated



Oil & Gas

API Standard



GATE VALVES

		150	300	600	900	1500	2500
ASME	BB	2"~76"	2"~64"	2"~48"	2 1/2"~24"	2 1/2"~24"	—
	PB	—	—	—	2 1/2"~24"	2 1/2"~24"	2 1/2"~24"



GLOBE VALVES

		150	300	600	900	1500	2500
ASME	BB	2"~24"	2"~32"	2"~16"	2"~16"	2"~14"	—
	PB	—	—	—	2"~14"	2"~14"	2"~14"



CHECK VALVES

		150	300	600	900	1500	2500
ASME	BB	2"~36"	2"~28"	2"~24"	2 1/2"~16"	2 1/2"~14"	—
	PB	—	—	—	2"~24"	2"~20"	2"~16"

Oil & Gas

HSME
Corporation

Instrumental Valves



Manifolds VM Series

- Working Pressure: 6000PSI
- -65 to 450°F (-54 to 232°C)
- 2, 3 and 5 Valves
- Remote & Direct Mounting
- Differential Pressure & Pressure Measurement
- Stainless Steel



DBB Series Monoflange

- Pressure Measurement
- Class 2500 (6000PSI)
- -65 to 450°F (-54 to 204°C)
- Two-Needle & One OS&Y Needle
- Stainless Steel, Duplex, A105



DBB Series Double Block and Bleed

- Primary Isolation, Sampling, Chemical Injection
- Class 2500 (6000PSI)
- -65 to 400°F (-54 to 204°C)
- Two Ball and one needle OS&Y
- Fire Safe Design to API607
- Stainless Steel, Duplex, A105

Cryogenic Valve



Production Materials

Stainless Steel : ASTM A351-CF8, CF8M, CF3, CF3M & CF8C

Production Range

UNIT : NPS

CLASS	150	300	600	900	1500	2500
GATE	2 ~ 48	2 ~ 48	2 ~ 48	2 ~ 48	1/2 ~ 2	1/2 ~ 2
GLOBE	2 ~ 12	2 ~ 12	2 ~ 12	2 ~ 12	1/2 ~ 2	1/2 ~ 2
CHECK	2 ~ 12	2 ~ 12	2 ~ 12	2 ~ 12	1/2 ~ 2	1/2 ~ 2
BALL	2 ~ 48	2 ~ 48	2 ~ 48	2 ~ 12	2 ~ 12	1/2 ~ 2



Material :
CF8

Type :
Cryogenic
Globe Valve
CLASS 900 8"



Material :
CF8M

Type :
Cryogenic
Globe Valve
CLASS 150 30"



Material :
CF8

Type :
Cryogenic
Globe Valve
CLASS 600 24"



Material :
F316

Type :
Cryogenic
Globe Valve
CLASS 2500 2"

Marine & Petroleum Industry



JOKWANG I.L.I CO., LTD.

ANSI Safety Relief Valve - UV Stamp



Body: Cast Steel

Trim: Stainless Steel

Connection: ANSI 150LB ~ 2500LB

Type: Conventional, Bellows, Pilot

Application Fluid: Steam, Air, Gas, Liquid



JIS Safety Relief & Pressure Reducing Valve



Body: Cast Iron/Steel, Bronze

Connection: JIS 10K, 15K



Body: Cast Steel

Connection: JIS 10K, 20K, 30K



Body: Cast Iron

Connection: PT Screwed



Body: Stainless Steel

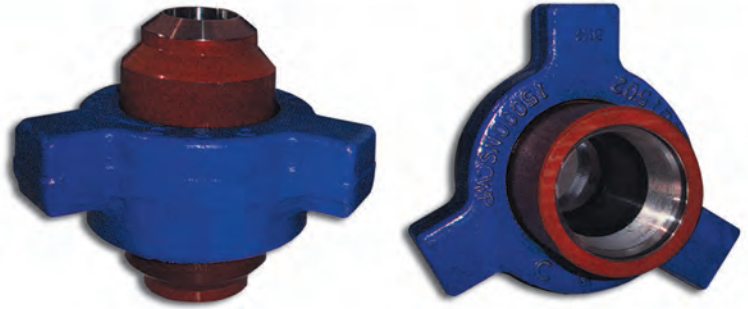
Connection: PT Screwed

API 6A VALVE - API VALVE SERIES



NAME	CHOKE VALVE	MUD GATE VALVE	PLUG VALVE	RESET RELIEF VALVE
ACTUATOR	Manual Handle, Pneumatic Piston, Hydraulic Piston, Stepping Actuator	Manual Handle	Manual Handle	Pilot Operated
DESIGN CODE	ANSI B 16-5 API 6A NACE MR0175 ISO 10423	API 6A NACE MRD175	API 6A NACE MR0175	API 6A NACE MR0175
RATING	900LBS - 2500LBS 2000PSI ~ 20000PSI	5000PSI - 20000PSI	15000PSI - 20000PSI	5000PSI - 20000PSI
SIZE	1" - 10" 1 1/2" - 7 1/16"	2 1/16" - 7 1/16"	2 1/16"	2 1/16" - 4 1/16"
TRIM CHARACTERISTIC	Equal Percentage, Linear	Linear	Bore	
BODY MATERIAL	Carbon Steel, Low Alloy Steel, Stainless Steel	A4130, A487	A4130, A487	A4130, A487
TRIM MATERIAL	AISI 410SS, UNS S17400, INCONEL 718, Tungsten Carbide, Stainless Steel	AISI 410SS, UNS S17400, Stainless Steel	AISI 410SS, UNS S17400, Stainless Steel	
SERVICE FLUID	Gas, Vapor, Liquid	Liquid, Mud	Gas, Liquid	Liquid, Mud
SERVICE TEMPERATURE	P To U (-29°C - 121°C)	P To U (-29°C - 121°C)	P To U (-29°C - 121°C)	P To U (-29°C - 121°C)
MAX PR & PSL	PR 2 & PSL 3G	PR 2 & PSL 3	PR 2 & PSL 3	PR 2 & PSL 3
BASIC ACCESSORY	Positioner, Air Set, Manual Handle			
SERVICE INDUSTRY	Oil & Gas / Offshore / Severe Service	Oil & Gas / Offshore / Drilling Service	Oil & Gas / Offshore / Drilling Service	Oil & Gas / Offshore / Drilling Service

UPSTREAM



STANDARD SERVICE SOUR GAS (H₂S) SERVICE)

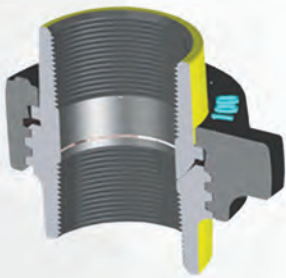


FIGURE 100

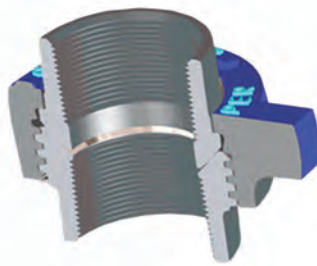


FIGURE 200

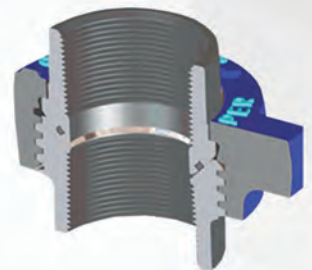


FIGURE 206

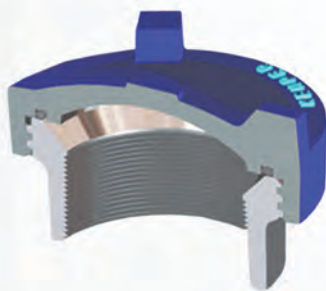


FIGURE 207

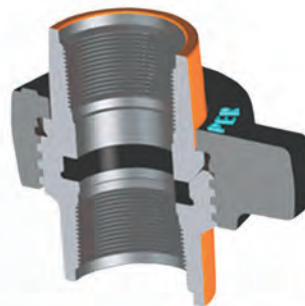


FIGURE 602

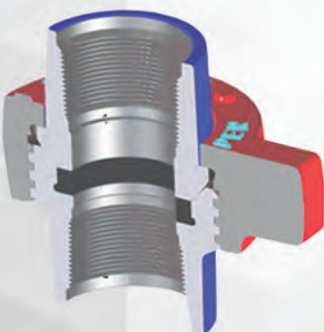


FIGURE 1002

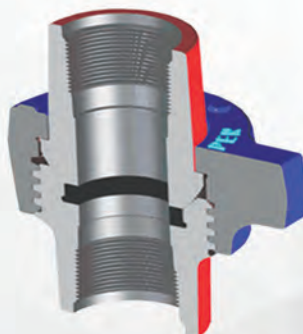
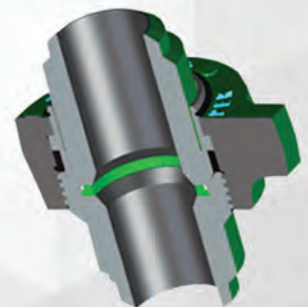


FIGURE 1502



H₂S SERVICE

2 Cavan Road, Singapore 209843
Tel : (65) 6298 7222 Fax : (65) 6298 9591
Email : admin@kccpl.com.sg
Website : www.khengcheong.com.sg