



M50

Ultra Compact Fanless Industrial PC

- Support Intel Skylake-U and BayTrail
- Onboard CPU and memory
- Fanless, cableless, modular design
- Drawable storage bay
- Support DC 9~36V power supply
- Support -20~70°C operating
- Rich I/O and bus

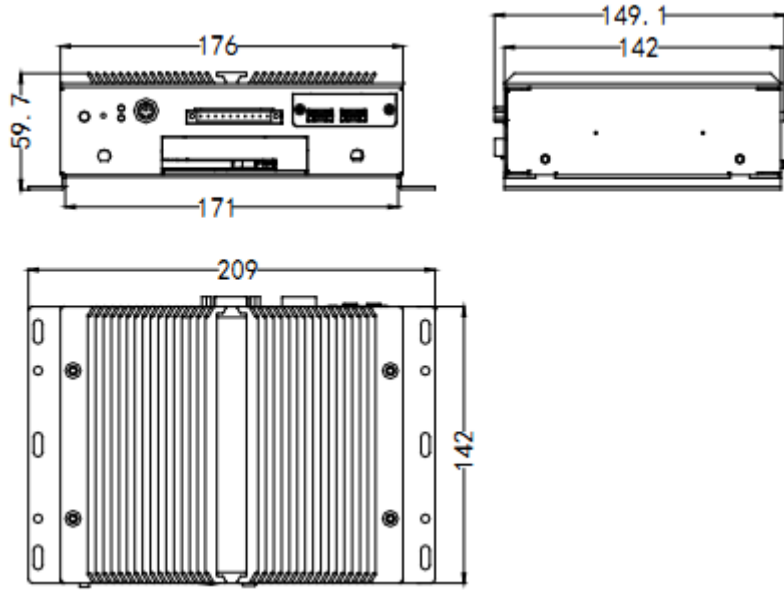


Specifications

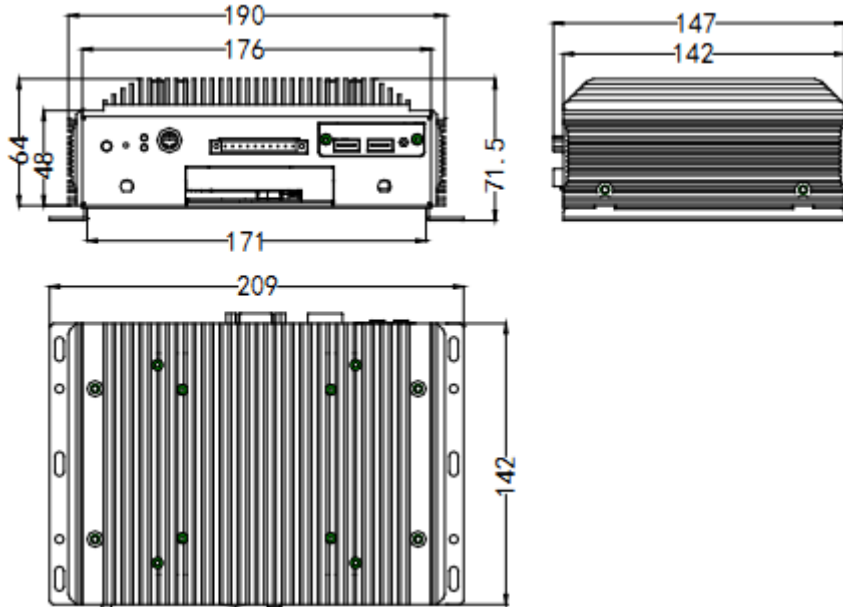
System	Processor	Onboard Intel® Core™ i7-6500U, i5-6300U, i3-6100U
		Onboard Intel Celeron J1900
	Chipset	Skylake-U
		BayTrail
Memory	Skylake: standard 4GB memory, max to 20GB	
	BayTrail: standard 4GB memory, max to 8GB	
Display	VGA	1 x VGA
	HDMI	1 x HDMI
I/O Interface	LAN	2 x 10/100/1000Mbps RJ45 LAN port, max to 4
	COM Port	4 x COM port, RS232/422/485 optional (max)
	USB	6*USB (max)
	PS/2	1 x PS/2
Storage	SATA	1*2.5" HDD/SSD bay
	mSATA	1 x mSATA interface
Expansion Bus		1*Mini PCIe, 1*SIM card slot
Operating Temperature		-20°C ~ 70°C; (wide-temperature CF card/SSD); -5°C ~ 50°C (monitoring-level HDD) 5% ~ 90% 40°C (non-condensing)
Storage Temperature		-40°C ~ 70°C; 5%~90% 40°C (non-condensing)
Power Supply		Supports 9~30V DC wide voltage input
Dimensions(W x H x D)		M50-E: 176mm x 53.5mm x 148.5mm M50-H: 190mm x 65.5mm x 148.5mm
Weight		M50-E: about 1.55kg M50-H: about 2.25kg



Dimension



M50-E



M50-H

Ordering Information

Part Number	Model Number	Description
0010-103571	M50-E-01	BayTrail J1900/4GB/500GB/4COM/4USB/2GbE/VGA/HDMI/PS2/Line-out/Mic-in/ 8ch GPIO/DC 9~36V/Adapter
0010-107721	M50-E-02	BayTrail J1900/4GB/500GB/2COM/6USB/4GbE/VGA/HDMI/PS2/Line-out/Mic-in/ 8ch GPIO/DC 9~36V/Adapter
0010-103581	M50-H-01	Skylake-U i3-6100U/4GB/500GB/4COM/4USB/2GbE/VGA/HDMI/PS2/Line-out/Mic-in/ 8ch GPIO/DC 9~36V/Adapter
0010-105831	M50-H-02	Skylake-U i5-6300U/4GB/500GB/4COM/4USB/2GbE/VGA/HDMI/PS2/Line-out/Mic-in/ 8ch GPIO/DC 9~36V/Adapter
0010-105841	M50-H-03	Skylake-U i7-6500U/4GB/500GB/4COM/4USB/2GbE/VGA/HDMI/PS2/Line-out/Mic-in/ 8ch GPIO/DC 9~36V/Adapter