

NEW Generation Load Cells

Compression Load Cell CL (CL-Ex)



Special Features

- EHEDG compliant hygienic (aseptic) design without gaps or edges for easy cleaning to minimize the risk of bacteria growth
- Developed and manufactured in Denmark
- Low profile and hygienic design
- High tolerance of up to 1000% overload
- Robust capacitive technology
- Hermetically sealed to IP68
- Electropolished stainless steel 1.4542 (17-4 PH)
- Laser welded with Duplex 1.4462 stainless steel
- ATEX and IECEx certified (Zone 1, 2, 21, 22)
- Easy mechanical and electrical installation
- High accuracy, High resolution
- Capacity (Emax): 50, 100, 150, 250, 500, 1000, 1500, 2000, 3000, 4000, 5000kg
- Accuracy: Industrial 0.10%, Precision 0.05%, High Precision 0.025%
- Load cell cable length up to 100meters
- Load cell calibration independent of cable length
- Load cell cable replaceable on-site
- Withstands welding voltages and ESD
- Can be used in both ATEX / IECEx and non-ATEX installations
- Can be supplied with Mud resistant and Halogen free cables for offshore installation
- [Examples Hygienic Digital Compression Load Cells](#)

Applications

Applications

- Tank weighing
- Process weighing
- Big-bag equipment
- Filling and dosing
- Offshore
- Level measurement
- Platform scales
- Hopper scales
- Heavy duty applications
- Belt scales

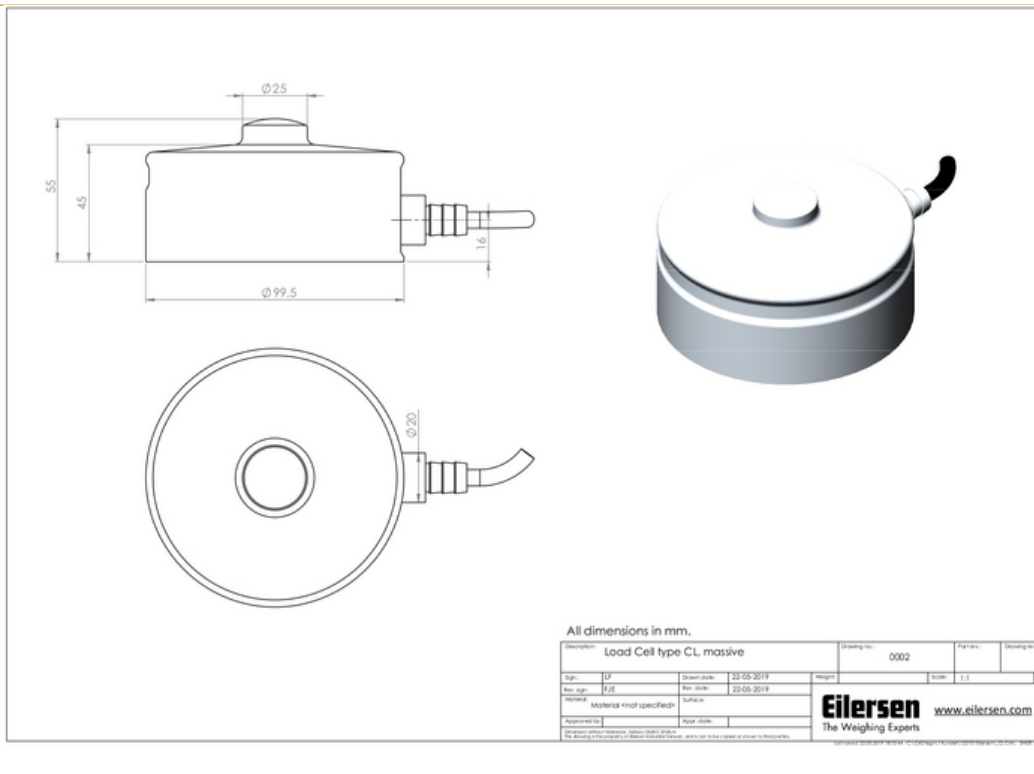


Specifications

| Parameter | Unit | 0.10% | 0.05% | 0.025%* |
|-----------------------------------|----------------|---|------------------|---------|
| Rated capacity (E_{max}) | kg | 50, 100, 150, 250, 500, 1000, 1500, 2000, 3000, 4000, 5000 | | |
| Safe overload limit | % of E_{max} | | 200 to 500 | |
| Safe sideload limit | % of E_{max} | | 300 to 1000 | |
| Minimum dead load | % of E_{max} | | 0 | |
| Accuracy | % of E_{max} | 0.100 | 0.050 | 0.025 |
| Repeatability | % of E_{max} | 0.030 | 0.020 | 0.012 |
| Hysteresis | % of E_{max} | 0.055 | 0.040 | 0.020 |
| Creep 30 min. | % of E_{max} | 0.060 | 0.040 | 0.025 |
| Temperature effect on zero | % /10°C | 0.060 | 0.045 | 0.030 |
| Temperature effect on sensitivity | % /10°C | 0.060 | 0.045 | 0.030 |
| Compensated temperature range | °C | | -10 to 50 | |
| Operating temperature range | °C | | -50 to 70 (100*) | |
| Deflection at E_{max} | mm | | max 0.10 | |
| Measuring rate | Hz | | 500 | |
| Supply | Vdc | | 24Vdc ±5% | |
| Internal resolution | Bit | | 24 | |
| Material | | Stainless Steel 17-4 PH and AISI 316 | | |
| Protection | | IP68 | | |
| Cable | | 6meter standard coaxial RG-58 (Ø6mm) with BNC connector | | |
| Maximum cable length | m | 100 | | |
| Weight | kg | 1.8 | | |
| Output options | | PROFINET, Modbus TCP/IP, Profibus DP, DeviceNet, EtherCAT, EtherNet/IP, RS485, 4-20 mA, 0-10Vdc | | |

* with Teflon cable

Dimensions (mm)



Options

- ATEX and IECEx (Zone 1, 2, 21, 22) version type CL-Ex
- ATEX II 2G Ex ia IIC T6 Gb / ATEX II 2D Ex ia IIIC T85°C Db
- Standard and hygienic base plate available
- Load cell cable length 10, 20, 50 or 100meters
- Mud resistant and Halogen free cables for offshore installation
- Special PE load cell cable available for freezing low temperature (can be used down to -50 degrees Celsius)
- Special Teflon load cell cable available for very high temperature (can be used up to 100 degrees Celsius)

Documentation

- Digital Compression Load Cell Type CL Dimension PDF
- Load cell type CL CL-Ex Installation without base plate
- Load cell type CL CL-Ex Installation with standard base plate
- Load cell type CL CL-Ex Installation with hygienic base plate
- Load cell type CL CL-Ex installation for tank bracket
- Example Lift-off protection CL and CM load cells
- Hygienic load cell type CL shown with tank leg
- ATEX Certificate SEV14 ATEX 0171 X (GERMAN) PDF

- [ATEX Certificate SEV14 ATEX 0171 X \(ENGLISH\) PDF](#)
- [CL CL-Ex Compression Load Cell STEP file \(right click - save link as\)](#)
- [CL CL-Ex with Hygienic Base Plate JPG](#)
- [CL Hygienic Base Plate dimensions PDF](#)
- [Type CL installation PDF](#)
- [Type CL installation with Standard Base Plate PDF](#)
- [Type CL installation with Hygienic Base Plate PDF](#)
- [Guideline Correct Mounting of BNC Connector \(UK\) PDF](#)
- [VIDEO - Correct Mounting of BNC Connector \(UK\)](#)

Disclaimer and Legal Information: The information on this web site is provided in connection with products supplied by Eilersen Electric A/S and affiliated companies ("Eilersen"). No license, expressed or implied, to any intellectual property rights is granted by this information or any documents on the web site. Eilersen assumes no liability and disclaims any expressed or implied warranty, relating to sale and/or use of Eilersen products including liability or warranties relating to fitness for a particular purpose. The information on this web site is provided as a service and for information purpose only and is subject to change without prior notice. Eilersen assumes no responsibility or liability whatsoever for any errors or inaccuracies that may appear on this web site. Eilersen is not responsible for any loss of hardware, software or files, caused by the use of the web site or elements downloaded or used from/on the web site. Hence Eilersen makes no warranty, that the web site or product or services provided on the web site (including free software downloads) will meet your requirements or will be uninterrupted, timely, secure or without errors, or that the web site or the servers used by Eilersen are free of viruses or bugs or are fully functional or accurate.