

NEW Generation Load Cells

Beam Load Cell BL (BL-Ex)



Special Features

- Developed and manufactured in Denmark
- New hygienic (aseptic) design without gaps or edges for easy cleaning to minimize the risk of bacteria growth
- High tolerance of up to 1.000% overload
- Robust capacitive technology
- Hermetically sealed to IP68
- Electropolished stainless steel 1.4542 (17-4 PH)
- Laser welded with Stainless Steel 1.4541
- ATEX certified (Zone 1, 2, 21, 22)
- Withstands welding voltages and ESD
- Load cell cable length up to 100meters
- High accuracy, High resolution
- Capacity (Emax): 10, 20, 30, 50, 100, 150, 250, 500, 1000kg
- Accuracy: Industrial 0.10%, Precision 0.05%, High Precision 0.025%
- Load cell cable length up to 100meters
- Load cell calibration independent of cable length
- Load cell cable replaceable
- Easy mechanical and electrical installation
- Can be used in both ATEX and non-ATEX installations
- [Examples Digital Beam Load Cells](#)

Applications

Applications

- Dynamic weighing
- Process weighing
- Tanks and vessels
- Vibration sorters
- Filling and dosing
- Platform scales
- Packaging machines
- Hopper scales
- Belt scales
- Conveyor scales
- Big-bag equipment
- On-board weighing

[Examples Digital Beam Load Cells](#)



Specifications

Parameter	Unit	0.10%	0.05%	0.025%*
Rated capacity (E_{max})	kg	10, 20, 30, 50, 100, 150, 250, 500, 1000		
Safe overload limit	% of E_{max}	200 to 1000		
Safe sideload limit	% of E_{max}	300 to 1000		
Combined accuracy	% of E_{max}	0.100	0.050	0.020
Repeatability	% of E_{max}	0.018	0.015	0.010
Hysteresis	% of E_{max}	0.033	0.020	0.017
Creep 30 min.	% of E_{max}	0.035	0.025	0.017
Temperature effect on zero	% /10°C	0.050	0.035	0.020
Temperature effect on sensitivity	% /10°C	0.050	0.035	0.020
Compensated temperature range	°C	-10 to 50		
Operating temperature range	°C	-50 to 70 (100**)		
Deflection at E_{max}	mm	max 0.10		
Measuring rate	Hz	500		
Supply	Vdc	24Vdc ±5%		
Internal resolution	Bit	24		
Material		Stainless Steel 17-4PH and AISI316		
Protection		IP68		
Cable		6meter standard coaxial RG-58 (Ø6mm) with BNC connector		
Maximum cable length	m	100		
Weight	kg	2.5		

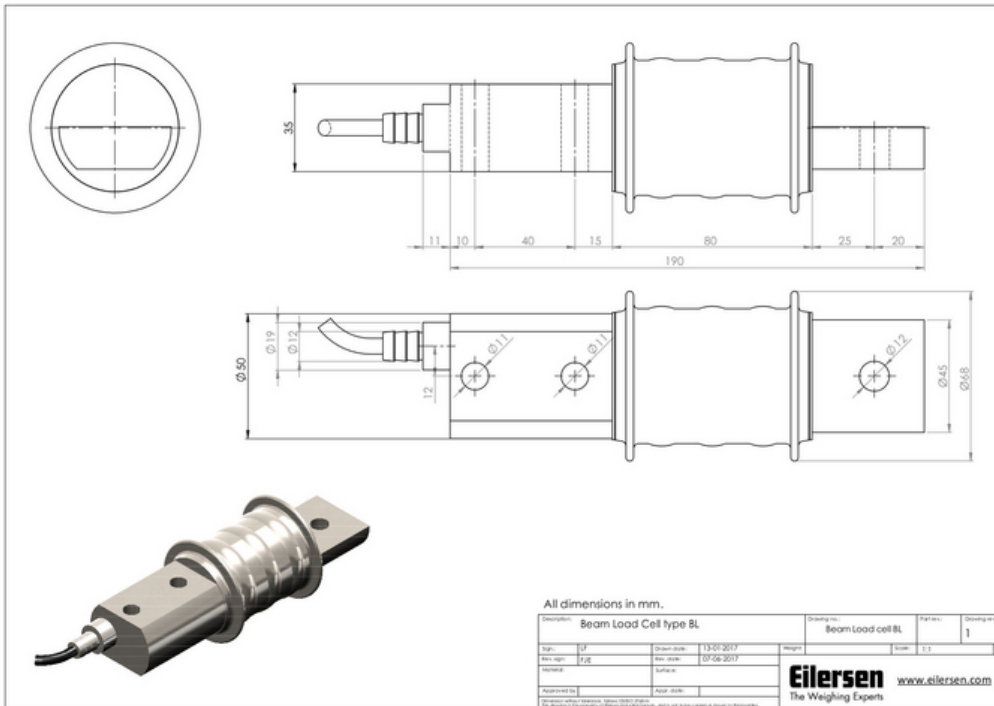
Output options PROFINET, Profibus DP, EtherNet/IP, Modbus TCP/IP, EtherCAT, RS485, 4-20mA, 0-10Vdc

* higher accuracies available on request

** with Teflon cable

BL - Eilersen

Dimensions (mm)



Options

- ATEX (Zone 1, 2, 21, 22) version type BL-Ex
- ATEX II 2G Ex ia IIC T6 Gb / ATEX II 2D Ex IIIC T85°C Db
- Mounting kits available
- Load cell cable length 10, 20, 50 or 100meters
- Mud resistant and Halogen free cables for offshore installation
- Special PE load cell cable available for freezing low temperature (can be used down to -50 degrees Celsius)
- Special Teflon load cell cable available for very high temperature (can be used up to 100 degrees Celsius)

Documentation

- [Digital Beam Load Cell Type BL BL-Ex Dimensions PDF](#)
- [BL BL-Ex Beam Load Cell STEP 3D CAD File \(right click -> "Save Link As..."\)](#)
- [Beam Load Cell with Mounting Kit 150-500kg PDF](#)
- [Beam Load Cell with Mounting Kit 150-500kg 3D STEP \(right click -> "Save Link As..."\)](#)
- [Beam Load Cell with Mounting Kit 500-1000kg PDF](#)
- [Beam Load Cell with Mounting Kit 500-1000kg 3D STEP \(right click -> "Save Link As..."\)](#)
- [Beam Load Cell with Mounting Kit 1000kg PDF](#)
- [Beam Load Cell with Mounting Kit 1000kg STEP \(right click -> "Save Link As..."\)](#)
- [ATEX Certificate SEV14 ATEX 0171 X \(GERMAN\) PDF](#)
- [ATEX Certificate SEV14 ATEX 0171 X \(ENGLISH\) PDF](#)
- [Examples Digital Beam Load Cells](#)
- [Guideline Correct Mounting of BNC Connector \(UK\) PDF](#)
- [VIDEO - Correct Mounting of BNC Connector](#)

Disclaimer and Legal Information: The information on this web site is provided in connection with products supplied by Eilersen Electric A/S and affiliated companies ("Eilersen"). No license, expressed or implied, to any intellectual property rights is granted by this information or any documents on the web site. Eilersen assumes no liability and disclaims any expressed or implied warranty, relating to sale and/or use of Eilersen products including liability or warranties relating to fitness for a particular purpose. The information on this web site is provided as a service and for information purpose only and is subject to change without prior notice. Eilersen assumes no responsibility or liability whatsoever for any errors or inaccuracies that may appear on this web site. Eilersen is not responsible for any loss of hardware, software or files, caused by the use of the web site or elements downloaded or used from/on the web site. Hence Eilersen makes no warranty, that the web site or product or services provided on the web site (including free software downloads) will meet your requirements or will be uninterrupted, timely, secure or without errors, or that the web site or the servers used by Eilersen are free of viruses or bugs or are fully functional or accurate.