

HJA

high-voltage modular asynchronous motors,
sizes 355 to 6305, 185 to 2800 kW

C = COST ADVANTAGE

A = ACTIVE APPROACH

G = GUARANTEE OF QUALITY

SIE men's concept



THE BEST
FROM BOTH

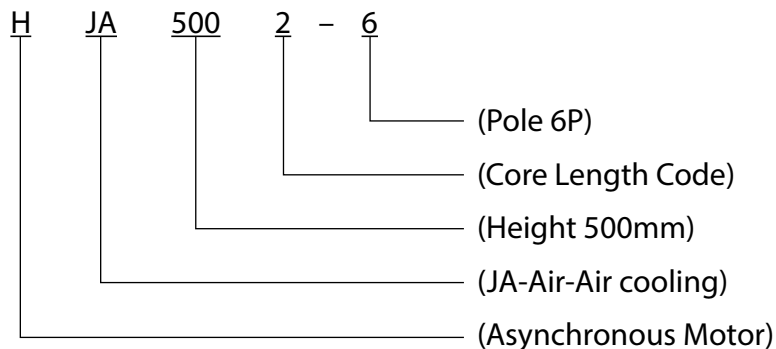
CAG men's concept



CHINESE men's concept



Model specification:



Work conditions:

Rated voltage: 3KV-13.8KV
 Output power: 200KW-3150KW
 Poles: 2-16
 Protection class IP54/IP55
 Insulation class: F,H temperature rise B
 Altitude: Not exceed 1000m
 Rated frequency: 50Hz
 Duty: continuous(S1)
 Ambient temperature: -15 °C ~ +40 °C

Using:

The electric motors are used for driving different machines, such as compressors, water pumps, cracking machines, cutting machines, transporting machines and other equipment. It also could be used as primitive drivers to drive blowers, grinding coal, rolling mills and windlasses in mine, mechanical industry, petroleum & chemistry industry, power plant and so on. The uses and technical requirements should be marked clearly when order motors, the special design can be adopted to ensure the reliable performance. This series motors also can design into increase safe type, used for place have explosive gas.



Product specification

HJA series high voltage three phase asynchronous motor(H:355-630)

Technical Guarantee date 6kV

Type	Rated Power (kW)	Rated Current (A)	Speed (r/min)	Efficiency %	Power Factor Cos Φ	TM/TN	TST/TN	IST/IN	(kg.m ²)		Weight kg
									Motor	J Load	
HJA3551-2	220	26.9	2973	92.5	0.85	1.8	0.6	7	2.7	25	2250
HJA3552-2	250	30.6	2972	92.6	0.85	1.8	0.6	7	3	26	2300
HJA3553-2	280	34.2	2973	92.8	0.85	1.8	0.6	7	3.4	30	2350
HJA3554-2	315	38.3	2975	93.1	0.85	1.8	0.6	7	4	34	2400
HJA3555-2	355	42.5	2977	93.4	0.86	1.8	0.6	7	5.3	40	2570
HJA4001-2	400	47.8	2976	93.7	0.86	1.8	0.6	7	5.7	56	2780
HJA4002-2	450	53.6	2975	94	0.86	1.8	0.6	7	6.5	57	2900
HJA4003-2	500	59.4	2976	94.2	0.86	1.8	0.6	7	6.8	85	3000
HJA4004-2	560	66.4	2980	94.4	0.86	1.8	0.6	7	8	88	3200
HJA4501-2	630	73.7	2980	94.6	0.87	1.8	0.6	7	10.8	101	4300
HJA4502-2	710	82.9	2981	94.7	0.87	1.8	0.6	7	11.8	114	4600
HJA4503-2	800	93.3	2983	94.8	0.87	1.8	0.6	7	12.4	125	4900
HJA4504-2	900	104.8	2981	95	0.87	1.8	0.6	7	15	135	5200
HJA5001-2	1000	116.3	2983	95.1	0.87	1.8	0.6	7	17.5	138	5440
HJA5002-2	1120	130.1	2982	95.2	0.87	1.8	0.6	7	18.2	140	5650
HJA5003-2	1250	145.1	2980	95.3	0.87	1.8	0.6	7	21	170	5880
HJA5004-2	1400	160.5	2980	95.4	0.88	1.8	0.6	7	24.2	190	6800
HJA5601-2	1600	183.1	2979	95.5	0.88	1.8	0.6	7	35	105	6900
HJA5602-2	1800	205.9	2982	95.6	0.88	1.8	0.6	7	39.2	110	7160
HJA5603-2	2000	228.5	2982	95.7	0.88	1.8	0.6	7	42.9	116	7300
HJA6301-2	2240	255.7	2982	95.8	0.88	1.8	0.6	7	48	142	9850
HJA6302-2	2500	285.1	2982	95.9	0.88	1.8	0.6	7	49.3	160	10250
HJA6303-2	2800	311.8	2983	96	0.9	1.8	0.6	7	55.3	162	11200
HJA3551-4	185	22.6	1483	92.8	0.85	1.8	0.7	6.5	4	80	2500
HJA3552-4	200	24.4	1483	92.9	0.85	1.8	0.7	6.5	4.3	101	2550
HJA3553-4	220	26.8	1483	93	0.85	1.8	0.7	6.5	4.6	98	2600

HJA series high voltage three phase asynchronous motor(H:355-630)

Technical Guarantee date 6kV

Type	Rated Power (kW)	Rated Current (A)	Speed (r/min)	Efficiency %	Power Factor Cos Φ	TM/TN	TST/TN	IST/IN	(kg.m ²)		Weight kg
									Motor	J Load	
HJA3554-4	250	30.4	1482	93.1	0.85	1.8	0.7	6.5	5.1	140	2650
HJA3555-4	280	33.6	1482	93.2	0.86	1.8	0.7	6.5	6.1	157	2740
HJA4001-4	315	37.8	1483	93.3	0.86	1.8	0.7	6.5	7.7	120	2800
HJA4002-4	355	42.5	1483	93.5	0.86	1.8	0.7	6.5	8.8	133	2870
HJA4003-4	400	47.8	1482	93.7	0.86	1.8	0.7	6.5	8.8	135	2990
HJA4004-4	450	53.6	1483	93.9	0.86	1.8	0.7	6.5	9	190	3060
HJA4005-4	500	59.5	1485	94	0.86	1.8	0.7	6.5	10	195	3200
HJA4006-4	560	66.5	1485	94.2	0.86	1.8	0.7	6.5	12	235	4560
HJA4501-4	630	74.7	1484	94.4	0.86	1.8	0.7	6.5	15	218	4720
HJA4502-4	710	84	1484	94.6	0.86	1.8	0.7	6.5	17	241	4890
HJA4503-4	800	93.3	1486	94.8	0.87	1.8	0.7	6.5	22	266	5140
HJA5001-4	900	104.9	1486	94.9	0.87	1.8	0.7	6.5	35	290	5660
HJA5002-4	1000	116.4	1486	95	0.87	1.8	0.7	6.5	38	318	5850
HJA5003-4	1120	130.3	1486	95.1	0.87	1.8	0.7	6.5	42	378	6030
HJA5004-4	1250	143.6	1488	95.2	0.88	1.8	0.6	6.5	48	430	6350
HJA5601-4	1400	160.6	1487	95.3	0.88	1.8	0.6	6.5	63	490	8050
HJA5602-4	1600	183.4	1488	95.4	0.88	1.8	0.6	6.5	68	580	8300
HJA5603-4	1800	206.1	1489	95.5	0.88	1.8	0.6	6.5	73	560	10400
HJA5604-4	2000	228.8	1488	95.6	0.88	1.8	0.6	6.5	78	608	10800
HJA6301-4	2240	255.9	1488	95.7	0.88	1.8	0.6	6.5	121	700	11200
HJA6302-4	2500	282.1	1488	95.8	0.89	1.8	0.6	6.5	132	797	11500
HJA6303-4	2800	315.6	1488	95.9	0.89	1.8	0.6	6.5	147	875	11800
HJA6304-4	3150	354.8	1488	96	0.89	1.8	0.6	6.5	163	963	12100
HJA3551-6	185	23.5	988	92.4	0.82	1.8	0.7	6	8	365	2610
HJA3552-6	200	25.3	988	92.6	0.82	1.8	0.7	6	8.7	396	2665
HJA3553-6	220	27.8	988	92.8	0.82	1.8	0.7	6	9	450	2700
HJA3554-6	250	31.5	988	93	0.82	1.8	0.7	6	10	490	2750
HJA4001-6	280	35.2	988	93.3	0.82	1.8	0.7	6	11.8	313	2895

HJA series high voltage three phase asynchronous motor(H:355-630)

Technical Guarantee date 6kV

Type	Rated Power (kW)	Rated Current (A)	Speed (r/min)	Efficiency %	Power Factor Cos Φ	TM/TN	TST/TN	IST/IN	(kg.m ²)		Weight kg
									Motor	J Load	
HJA4002-6	315	39.5	988	93.5	0.82	1.8	0.7	6	13.2	357	3020
HJA4003-6	355	43.9	988	93.7	0.83	1.8	0.7	6	14	440	4380
HJA4004-6	400	49.4	987	93.8	0.83	1.8	0.7	6	15.4	535	4540
HJA4501-6	450	55.4	988	94.1	0.83	1.8	0.7	6	25	400	4690
HJA4502-6	500	61.5	989	94.3	0.83	1.8	0.7	6	27	460	4810
HJA4503-6	560	68	990	94.4	0.84	1.8	0.7	6	30	540	5355
HJA4504-6	630	76.4	990	94.5	0.84	1.8	0.7	6	33	600	5440
HJA5001-6	710	85.8	990	94.8	0.84	1.8	0.7	6	45	800	5700
HJA5002-6	800	96.6	990	94.9	0.84	1.8	0.7	6	48	920	5880
HJA5003-6	900	107.2	991	95	0.85	1.8	0.7	6.5	53	990	7500
HJA5004-6	1000	119	991	95.1	0.85	1.8	0.7	6.5	60	1128	7850
HJA5601-6	1120	133.2	990	95.2	0.85	1.8	0.7	6.5	86	1045	8100
HJA5602-6	1250	146.8	991	95.3	0.86	1.8	0.7	6.5	93	1190	8300
HJA5603-6	1400	164.2	991	95.4	0.86	1.8	0.7	6.5	100	1288	8650
HJA6301-6	1600	187.5	991	95.5	0.86	1.8	0.7	6.5	149	2432	9550
HJA6302-6	1800	210.7	993	95.6	0.86	1.8	0.7	6.5	163	2656	9680
HJA6303-6	2000	233.8	993	95.7	0.86	1.8	0.7	6.5	182	3032	10000
HJA6304-6	2240	261.6	993	95.8	0.86	1.8	0.7	6.5	195	3368	10640
HJA4001-8	185	24.7	740	92.5	0.78	1.8	0.8	5.5	14	406	2785
HJA4002-8	200	26.6	740	92.7	0.78	1.8	0.8	5.5	15.7	450	2840
HJA4003-8	220	29.2	740	92.9	0.78	1.8	0.8	5.5	17	502	2910
HJA4004-8	250	32.7	741	93	0.79	1.8	0.8	5.5	18.4	558	4560
HJA4005-8	280	36.6	741	93.2	0.79	1.8	0.8	5.5	19.2	622	4650
HJA4501-8	315	41.1	742	93.4	0.79	1.8	0.8	5.5	26	750	4740
HJA4502-8	355	46.2	743	93.5	0.79	1.8	0.8	5.5	29	840	4840
HJA4503-8	400	51.3	743	93.7	0.8	1.8	0.8	5.5	35	853	5110
HJA5001-8	450	57.7	743	93.8	0.8	1.8	0.8	5.5	52	900	5280
HJA5002-8	500	63.8	743	94.2	0.8	1.8	0.8	5.5	55	1044	5430
HJA5003-8	560	71.4	743	94.4	0.8	1.8	0.8	5.5	60	1160	5660
HJA5004-8	630	78.2	743	94.5	0.82	1.8	0.7	6	65	1287	7500

Product specification

HJA series high voltage three phase asynchronous motor(H:355-630)

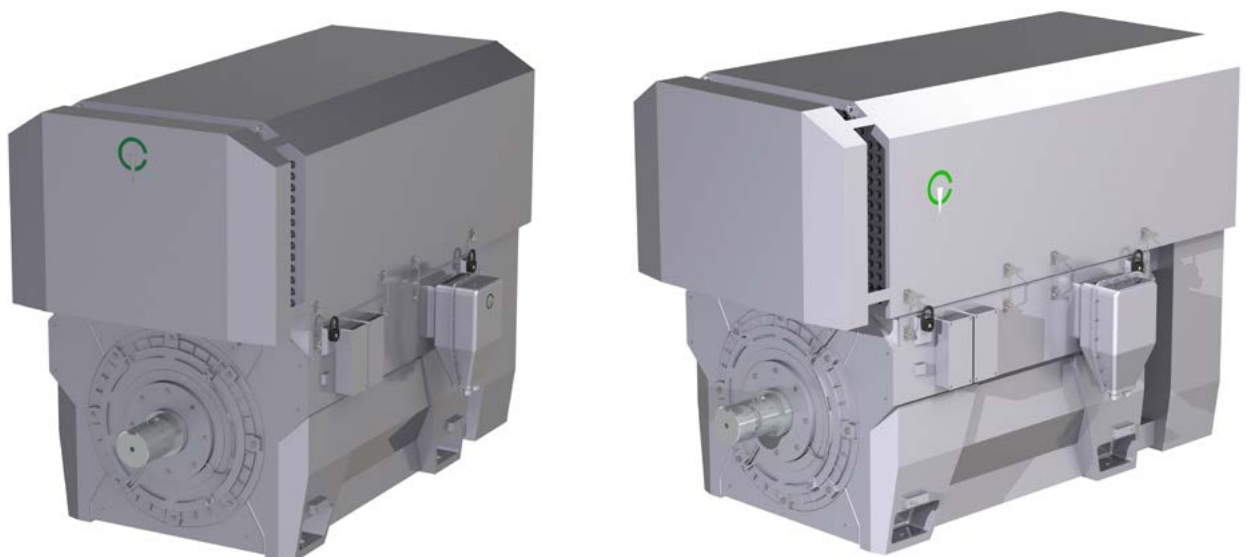
Technical Guarantee date 6kV

Type	Rated Power (kW)	Rated Current (A)	Speed (r/min)	Efficiency %	Power Factor Cos Φ	TM/TN	TST/ITN	IST/IN	(kg.m ²)		Weight kg
									Motor	J Load	
HJA5005-8	710	88.1	743	94.6	0.82	1.8	0.7	6	77	1422	7750
HJA5601-8	800	99.1	743	94.7	0.82	1.8	0.7	6	108	1690	8000
HJA5602-8	900	108.8	744	94.8	0.84	1.8	0.7	6	113	2136	8300
HJA4503-8	1000	120.7	744	94.9	0.84	1.8	0.7	6	120	2320	8600
HJA6301-8	1120	135.1	744	95	0.84	1.8	0.7	6	174	3360	9140
HJA6302-8	1250	150.6	744	95.1	0.84	1.8	0.7	6	190	3904	9400
HJA6303-8	1400	166.5	744	95.2	0.85	1.8	0.7	6	207	4464	9750
HJA6304-8	1600	190	744	95.3	0.85	1.8	0.7	6	223	5080	11000
HJA6305-8	1800	213.6	744	95.4	0.85	1.8	0.7	6	245	5672	11400
HJA4501-10	185	25.9	594	91.7	0.75	1.8	0.8	5.5	22	1107	4580
HJA4502-10	200	27.9	594	91.9	0.75	1.8	0.8	5.5	24	1278	4670
HJA4503-10	220	30.6	594	92.1	0.75	1.8	0.8	5.5	25	1548	4760
HJA4504-10	250	34.8	593	92.3	0.75	1.8	0.8	5.5	26	1700	4860
HJA4505-10	280	38.8	594	92.5	0.75	1.8	0.8	5.5	29	1950	4960
HJA4506-10	315	43	593	92.8	0.76	1.8	0.8	5.5	36	2072	5220
HJA5001-10	355	48.3	593	93	0.76	1.8	0.8	5.5	53	1560	5375
HJA5002-10	400	54.3	593	93.3	0.76	1.8	0.8	5.5	60	1800	5535
HJA5003-10	450	61	593	93.4	0.76	1.8	0.8	5.5	65	1960	5760
HJA5004-10	500	65.9	593	93.6	0.78	1.8	0.7	6	72	2150	7470
HJA5005-10	560	73.7	594	93.7	0.78	1.8	0.7	6	78	2400	7690
HJA5601-10	630	82.9	593	93.8	0.78	1.8	0.7	6	109	2260	7920
HJA5602-10	710	93.2	594	94	0.78	1.8	0.7	6	113	2960	8080
HJA5603-10	800	102.1	594	94.2	0.8	1.8	0.7	6	122	3416	8250
HJA5604-10	900	114.8	594	94.3	0.8	1.8	0.7	6	131	3860	8500
HJA6301-10	1000	127.4	594	94.4	0.8	1.8	0.7	6	241	3728	9400
HJA6302-10	1120	142.4	594	94.6	0.8	1.8	0.7	6	260	4168	9680
HJA6303-10	1250	158	594	95.2	0.8	1.8	0.7	6	280	4600	10110
HJA6304-10	1400	176.7	594	95.3	0.8	1.8	0.7	6	309	5168	11360

HJA series high voltage three phase asynchronous motor(H:355-630)

Technical Guarantee date 6kV

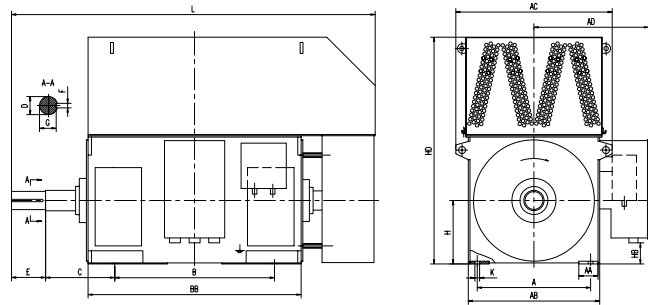
Type	Rated Power (kW)	Rated Current (A)	Speed (r/min)	Efficiency %	Power Factor Cos Φ	TM/TN	TST/TN	IST/IN	(kg.m ²)		Weight kg
									Motor	J Load	
HJA4501-12	185	27.7	494	91.8	0.7	1.8	0.8	5.5	28	1820	4770
HJA4502-12	200	29.9	494	92	0.7	1.8	0.8	5.5	30	2150	4950
HJA4503-12	220	31.9	494	92.2	0.72	1.8	0.8	5.5	35	2500	5090
HJA5001-12	250	36.1	494	92.5	0.72	1.8	0.8	5.5	60	2061	5340
HJA5002-12	280	40.4	494	92.7	0.72	1.8	0.8	5.5	65	2264	5410
HJA5003-12	315	45.4	494	92.8	0.72	1.8	0.8	5.5	73	2900	5660
HJA5004-12	355	49.6	495	93	0.74	1.8	0.7	6	78	3256	7440
HJA5005-12	400	55.7	495	93.3	0.74	1.8	0.7	6	89	3910	7650
HJA5601-12	450	62.7	495	93.4	0.74	1.8	0.7	6	100	4248	7860
HJA5602-12	500	69.4	495	93.7	0.74	1.8	0.7	6	105	5016	8070
HJA5603-12	560	75.6	495	93.8	0.76	1.8	0.7	6	118	5608	8500
HJA5604-12	630	84.9	495	93.9	0.76	1.8	0.7	6	127	6960	9020
HJA6301-12	710	95.6	495	94	0.76	1.8	0.7	6	212	4752	10200
HJA6302-12	800	107.5	495	94.2	0.76	1.8	0.7	6	231	5490	10700
HJA6303-12	900	119.3	495	94.3	0.77	1.8	0.7	6	251	6195	11000
HJA6304-12	1000	132.4	495	94.4	0.77	1.8	0.7	6	280	7230	11400
HJA6305-12	1120	148	495	94.5	0.77	1.8	0.7	6	300	8640	11800



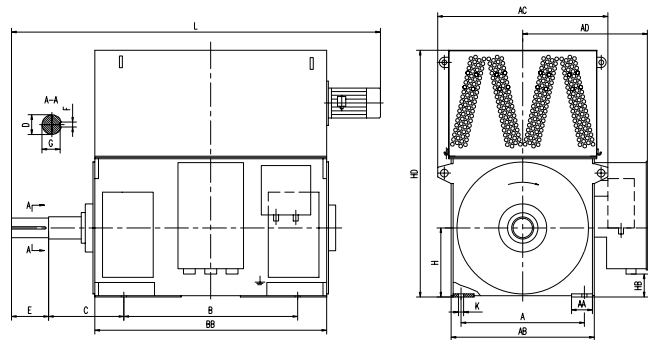
Product specification

HJA series high voltage three phase asynchronous motor(H:355-630)

Mounting and outline dimensions for 6kv motor, Cooling method: IC611



Mounting and outline dimensions for 6kv motor, Cooling method: IC616



(Frame)	Pole	(Mounting Dimensions)									(Overall Dimensions)								
		A	B	C	D	E	F	G	H	K	AA	AB	AC	AD	BB	HB	HD	L(IC611)	L(IC616)
355	2	630	900	315	80	170	22	71	355	φ28	160	800	980	640	1420	130	1420	2010	2210
	4/6				100	210	28	90							1300			2030	2230
400	2	710	1000	375	80	170	22	71	400	φ35	160	900	1080	690	1550	225	1570	2260	2450
	4/10			335	110	210	28	100										2280	2480
450	2	800	1120	400	90	170	25	81	450	φ35	180	1000	1180	740	1700	325	1790	2520	2800
	4			120	210	32	109	2540										2820	
	6/12			355	130	250	119	2580										2880	
500	2	900	1250	560	100	210	28	90	500	φ42	190	1120	1300	800	1800	435	1880	2730	3000
	4			130	250	32	119	2750										3050	
	6/12			475	140	36	128												
560	2	1000	1400	560	110	210	28	100	560	φ42	210	1220	1400	850	1950	555	2125	3000	3300
	4			150	250	36	138	3020										3320	
	6/12			500	160	300	40	147										3070	3370
630	2	1120	1600	560	130	250	32	119	630	φ48	220	1360	1540	920	2100	705	2250	3270	3500
	4			170	300	40	157	3290										3550	
	6/12			530	180	45	165												

HJA series high voltage three phase asynchronous motor(H:355-630)

Technical Guarantee Data 10kV

Type	Rated Power (kW)	Rated Current (A)	Speed (r/min)	Efficiency %	Power Factor Cos Φ	TM/TN	TST/TN	IST/IN	(kg.m ²)		Weight kg
									Motor	J Load	
HJA4001-2	315	23	2973	93	0.85	1.8	0.6	7	6.6	29.6	2880
HJA4002-2	355	25.5	2975	93.3	0.86	1.8	0.6	7	7.2	31	2945
HJA4003-2	400	28.7	2975	93.7	0.86	1.8	0.6	7	8.2	38.1	3150
HJA4004-2	450	32.1	2976	94	0.86	1.8	0.6	7	8.7	44	3200
HJA4501-2	500	35.6	2975	94.2	0.86	1.8	0.6	7	12.1	47.7	3500
HJA4502-2	560	39.8	2975	94.4	0.86	1.8	0.6	7	12.9	51.7	3580
HJA4503-2	630	44.2	2976	94.6	0.87	1.8	0.6	7	13.8	71.6	3670
HJA4504-2	710	49.8	2978	94.7	0.87	1.8	0.6	7	14.3	76	3800
HJA5001-2	800	56	2978	94.8	0.87	1.8	0.6	7	19	76.3	4780
HJA5002-2	900	63	2978	94.9	0.87	1.8	0.6	7	19.8	96.3	4800
HJA5003-2	1000	69.9	2979	95	0.87	1.8	0.6	7	21.5	114.3	4900
HJA5004-2	1120	78.1	2980	95.2	0.87	1.8	0.6	7	22.9	134.1	5010
HJA5601-2	1250	87	2980	95.3	0.87	1.8	0.6	7	30.4	57.9	5920
HJA5602-2	1400	97.4	2980	95.4	0.87	1.8	0.6	7	33.5	74.7	6190
HJA5603-2	1600	110	2981	95.5	0.88	1.8	0.6	7	37.3	87	6850
HJA5604-2	1800	123.4	2983	95.6	0.88	1.8	0.6	7	40.5	100	7340
HJA6301-2	2000	137	2984	95.7	0.88	1.8	0.6	7	41.3	110.7	7570
HJA6302-2	2240	153.1	2984	95.8	0.88	1.8	0.6	7	46.1	130	8350
HJA6303-2	2500	168.8	2985	95.9	0.89	1.8	0.6	7	54.9	147.6	8800
HJA6304-2	2800	188.8	2985	96	0.89	1.8	0.6	7	61.7	212	9550
HJA4001-4	220	16.6	1483	92.4	0.83	1.8	0.7	7	11.4	83	3120
HJA4002-4	250	18.8	1483	92.6	0.83	1.8	0.7	7	12.6	85	3150
HJA4003-4	280	21	1482	92.8	0.83	1.8	0.7	7	13.1	91.8	3180
HJA4004-4	315	23.6	1482	93	0.83	1.8	0.7	7	13.5	106.2	3200
HJA4005-4	355	25.5	1483	93.3	0.86	1.8	0.7	7	14	125.1	3220
HJA4006-4	400	28.7	1483	93.5	0.86	1.8	0.7	7	14.4	135.9	3250
HJA4007-4	450	32.2	1485	93.9	0.86	1.8	0.7	7	15.3	152	3300

Product specification

HJA series high voltage three phase asynchronous motor(H:355-630)

Technical Guarantee Data 10kV

Type	Rated Power (kW)	Rated Current (A)	Speed (r/min)	Efficiency %	Power Factor Cos Φ	TM/TN	TST/TN	IST/IN	(kg.m ²)		Weight kg
									Motor	J Load	
HJA4501-4	500	35.7	1484	94	0.86	1.8	0.7	7	21	178	3680
HJA4502-4	560	40	1484	94.2	0.86	1.8	0.7	7	22	180	3760
HJA4503-4	630	44.8	1485	94.4	0.86	1.8	0.7	7	23	216	3880
HJA4504-4	710	50.4	1485	94.6	0.86	1.8	0.7	7	24	279	4060
HJA5001-4	800	56	1485	94.8	0.87	1.8	0.7	7	38	181	4890
HJA5002-4	900	63	1485	94.9	0.87	1.8	0.7	7	42	222	5070
HJA5003-4	1000	70	1485	95	0.87	1.8	0.7	7	45	248	5250
HJA5004-4	1120	78.2	1484	95.1	0.87	1.8	0.7	7	50	281	5810
HJA5601-4	1250	86.1	1485	95.2	0.88	1.8	0.6	7	62	320	6500
HJA5602-4	1400	96.4	1486	95.3	0.88	1.8	0.6	7	67	416	6680
HJA5603-4	1600	110	1486	95.4	0.88	1.8	0.6	7	72	516	6810
HJA6301-4	1800	123.6	1488	95.4	0.88	1.8	0.6	7	110	500	9540
HJA6302-4	2000	137.3	1488	95.4	0.88	1.8	0.6	7	126	642	9890
HJA6303-4	2240	153.6	1488	95.5	0.89	1.8	0.6	7	132	606	10100
HJA6304-4	2500	171.2	1490	95.6	0.89	1.8	0.6	7	142	655	10670
HJA6305-4	2800	189.4	1490	95.7	0.89	1.8	0.6	7	163	662	10970
HJA4001-6	200	16.5	992	92	0.76	1.8	0.7	6	15.4	271	3000
HJA4002-6	220	17.3	988	92	0.8	1.8	0.7	6	15.5	269	3020
HJA4003-6	250	19.6	988	92.2	0.8	1.8	0.7	6	16.3	270	3050
HJA4004-6	280	21.9	988	92.5	0.8	1.8	0.7	6	17.4	271	3120
HJA4501-6	315	23.9	987	92.8	0.82	1.8	0.7	6	24	230	3530
HJA4502-6	355	26.6	988	93.1	0.83	1.8	0.7	6	27	220	3630
HJA4503-6	400	29.8	988	93.3	0.83	1.8	0.7	6	29	282	3710
HJA4504-6	450	33.5	988	93.5	0.83	1.8	0.7	6	31	334	5840
HJA4505-6	500	37.1	989	93.9	0.83	1.8	0.7	6	33	373	4010
HJA5001-6	560	40.9	990	94.1	0.84	1.8	0.7	6	35	445	5090
HJA5002-6	630	45.9	990	94.4	0.84	1.8	0.7	6	50	501	5250
HJA5003-6	710	51.6	990	94.6	0.84	1.8	0.7	6	54	602	5440
HJA5004-6	800	58.1	991	94.7	0.84	1.8	0.7	6	61	665	5770

HJA series high voltage three phase asynchronous motor(H:355-630)

Technical Guarantee Data 10kV

Type	Rated Power (kW)	Rated Current (A)	Speed (r/min)	Efficiency %	Power Factor Cos Φ	TM/TN	TST/TN	IST/IN	(kg.m ²)		Weight kg
									Motor	J Load	
HJA5601-6	900	64.4	991	94.9	0.85	1.8	0.7	6	79	708	6530
HJA5602-6	1000	71.4	991	95.1	0.85	1.8	0.7	6	86	812	7050
HJA5603-6	1120	79.9	991	95.2	0.85	1.8	0.7	6	93	1000	7160
HJA6301-6	1250	88.1	991	95.3	0.86	1.8	0.7	6	143	1755	9090
HJA6302-6	1400	98.2	993	95.7	0.86	1.8	0.7	6	156	2007	9550
HJA6303-6	1600	112.1	993	95.8	0.86	1.8	0.7	6	176	2313	9830
HJA6304-6	1800	126	993	95.9	0.86	1.8	0.7	6	182	2358	10030
HJA6305-6	2000	139.9	993	96	0.86	1.8	0.7	6	195	2709	10540
HJA4501-8	220	18.2	740	92	0.76	1.8	0.7	6	28	380	3530
HJA4502-8	250	20.6	740	92.2	0.76	1.8	0.7	6	29	476	3550
HJA4503-8	280	23	740	92.5	0.76	1.8	0.7	6	32	530	3630
HJA4504-8	315	25.5	741	92.8	0.77	1.8	0.7	6	34	625	3730
HJA4505-8	355	28.6	741	93.1	0.77	1.8	0.7	6	36	656	3830
HJA5001-8	400	31.8	741	93.2	0.78	1.8	0.7	6	52	798	4870
HJA5002-8	450	35.7	742	93.4	0.78	1.8	0.7	6	57	909	5130
HJA5003-8	500	39	742	93.8	0.79	1.8	0.7	6	63	963	5210
HJA5004-8	560	43.6	742	93.9	0.79	1.8	0.7	6	68	1188	5500
HJA5601-8	630	47	743	94.4	0.82	1.8	0.7	6	93	1134	6600
HJA5602-8	710	52.8	743	94.6	0.82	1.8	0.7	6	103	1224	6700
HJA5603-8	800	59.5	743	94.7	0.82	1.8	0.7	6	120	1765	6810
HJA5604-8	900	66.8	743	94.8	0.82	1.8	0.7	6	122	1710	6960
HJA6301-8	1000	73.2	745	95	0.83	1.8	0.7	6	182	2232	9140
HJA6302-8	1120	81.8	745	95.2	0.83	1.8	0.7	6	199	2511	9640
HJA6303-8	1250	91.2	745	95.3	0.83	1.8	0.7	6	215	3159	9900
HJA6304-8	1400	102	745	95.4	0.83	1.8	0.7	6	231	3771	10400
HJA4501-10	200	17.5	593	91.8	0.72	1.8	0.7	6	30	745	3800
HJA4502-10	220	19.2	593	91.9	0.72	1.8	0.7	6	35	852	3940
HJA4503-10	250	21.8	593	92.1	0.72	1.8	0.7	6	37	1000	4050

Product specification

HJA series high voltage three phase asynchronous motor(H:355-630)

Technical Guarantee Data 10kV

Type	Rated Power (kW)	Rated Current (A)	Speed (r/min)	Efficiency %	Power Factor Cos Φ	TM/TN	TST/TN	IST/IN	(kg.m ²)		Weight kg
									Motor	J Load	
HJA5001-10	280	23.7	594	92.4	0.74	1.8	0.7	6	60	718	5000
HJA5002-10	315	26.5	594	92.6	0.74	1.8	0.7	6	66	850	5150
HJA5003-10	355	29.4	593	92.8	0.75	1.8	0.7	6	69	1071	5300
HJA5004-10	400	33.1	594	93	0.75	1.8	0.7	6	75	1278	5550
HJA5005-10	450	36.7	594	93.2	0.76	1.8	0.7	6	81	1728	5610
HJA5601-10	500	40.1	593	93.4	0.77	1.8	0.7	6	98	2322	6450
HJA5602-10	560	44.3	593	93.5	0.78	1.8	0.7	6	109	2871	6650
HJA5603-10	630	49.8	594	93.7	0.78	1.8	0.7	6	113	3168	6880
HJA5604-10	710	56	594	93.9	0.78	1.8	0.7	6	127	3681	7080
HJA6301-10	800	61.2	595	94.3	0.8	1.8	0.7	6	231	2035	9400
HJA6302-10	900	68.1	595	94.5	0.8	1.8	0.7	6	250	2260	9630
HJA6303-10	1000	76.3	595	94.6	0.8	1.8	0.7	6	280	2907	10100
HJA6304-10	1120	84.5	595	94.7	0.8	1.8	0.7	6	309	3195	10360
HJA5001-12	220	19.2	495	91.8	0.72	1.8	0.7	6	63	1413	4900
HJA5002-12	250	21.8	495	92	0.72	1.8	0.7	6	69	1728	4980
HJA5003-12	280	24.4	495	92.1	0.72	1.8	0.7	6	75	1890	5080
HJA5004-12	315	27.4	495	92.3	0.72	1.8	0.7	6	85	2178	5200
HJA5005-12	355	30.4	495	92.5	0.73	1.8	0.7	6	90	2340	5380
HJA5601-12	400	34.1	495	92.7	0.73	1.8	0.7	6	109	2466	6310
HJA5602-12	450	38.3	495	92.9	0.73	1.8	0.7	6	118	2934	6610
HJA5603-12	500	42.4	495	93.2	0.73	1.8	0.7	6	122	3483	6910
HJA6301-12	560	46.7	495	93.5	0.74	1.8	0.7	6	212	3070	9020
HJA6302-12	630	52.5	495	93.7	0.74	1.8	0.7	6	231	3540	9260
HJA6303-12	710	59	495	93.9	0.74	1.8	0.7	6	251	4455	9480
HJA6304-12	800	66.2	495	94.3	0.74	1.8	0.7	6	270	4910	9950
HJA6305-12	900	74.4	495	94.4	0.74	1.8	0.7	6	290	5750	11160

HJA series high voltage three phase asynchronous motor(H:355-630)

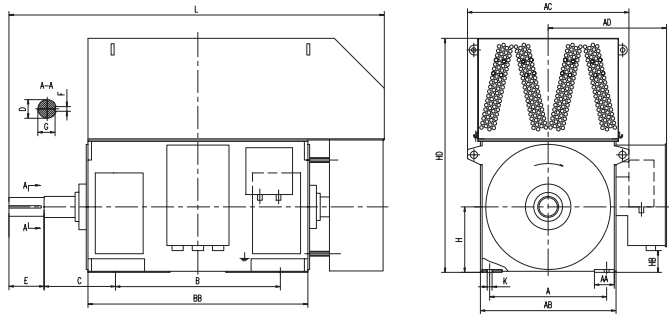
Technical Guarantee Data 10kV

Type	Rated Power (kW)	Rated Current (A)	Speed (r/min)	Efficiency %	Power Factor Cos Φ	TM/TN	TST/TN	IST/IN	(kg.m ²)		Weight kg
									Motor	J Load	
HJA5001-10	280	23.7	594	92.4	0.74	1.8	0.7	6	60	718	5000
HJA5002-10	315	26.5	594	92.6	0.74	1.8	0.7	6	66	850	5150
HJA5003-10	355	29.4	593	92.8	0.75	1.8	0.7	6	69	1071	5300
HJA5004-10	400	33.1	594	93	0.75	1.8	0.7	6	75	1278	5550
HJA5005-10	450	36.7	594	93.2	0.76	1.8	0.7	6	81	1728	5610
HJA5601-10	500	40.1	593	93.4	0.77	1.8	0.7	6	98	2322	6450
HJA5602-10	560	44.3	593	93.5	0.78	1.8	0.7	6	109	2871	6650
HJA5603-10	630	49.8	594	93.7	0.78	1.8	0.7	6	113	3168	6880
HJA5604-10	710	56	594	93.9	0.78	1.8	0.7	6	127	3681	7080
HJA6301-10	800	61.2	595	94.3	0.8	1.8	0.7	6	231	2035	9400
HJA6302-10	900	68.1	595	94.5	0.8	1.8	0.7	6	250	2260	9630
HJA6303-10	1000	76.3	595	94.6	0.8	1.8	0.7	6	280	2907	10100
HJA6304-10	1120	84.5	595	94.7	0.8	1.8	0.7	6	309	3195	10360
HJA5001-12	220	19.2	495	91.8	0.72	1.8	0.7	6	63	1413	4900
HJA5002-12	250	21.8	495	92	0.72	1.8	0.7	6	69	1728	4980
HJA5003-12	280	24.4	495	92.1	0.72	1.8	0.7	6	75	1890	5080
HJA5004-12	315	27.4	495	92.3	0.72	1.8	0.7	6	85	2178	5200
HJA5005-12	355	30.4	495	92.5	0.73	1.8	0.7	6	90	2340	5380
HJA5601-12	400	34.1	495	92.7	0.73	1.8	0.7	6	109	2466	6310
HJA5602-12	450	38.3	495	92.9	0.73	1.8	0.7	6	118	2934	6610
HJA5603-12	500	42.4	495	93.2	0.73	1.8	0.7	6	122	3483	6910
HJA6301-12	560	46.7	495	93.5	0.74	1.8	0.7	6	212	3070	9020
HJA6302-12	630	52.5	495	93.7	0.74	1.8	0.7	6	231	3540	9260
HJA6303-12	710	59	495	93.9	0.74	1.8	0.7	6	251	4455	9480
HJA6304-12	800	66.2	495	94.3	0.74	1.8	0.7	6	270	4910	9950
HJA6305-12	900	74.4	495	94.4	0.74	1.8	0.7	6	290	5750	11160

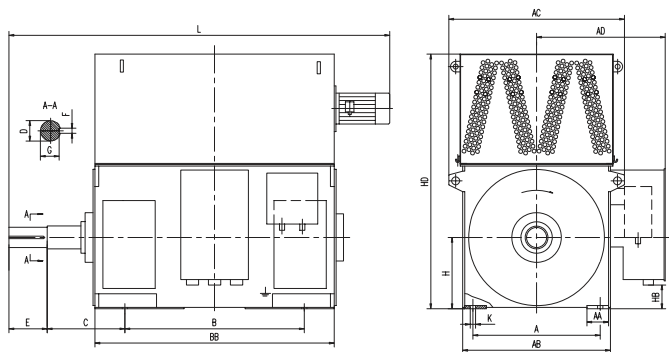
Product specification

HJA series high voltage three phase asynchronous motor(H:355-630)

Mounting and outline dimensions for 6kv motor, Cooling method: IC611



Mounting and outline dimensions for 6kv motor, Cooling method: IC616



(Frame)	Pole	(Mounting Dimensions)									(Overall Dimensions)								
		A	B	C	D	E	F	G	H	K	AA	AB	AC	AD	BB	HB	HD	L(IC611)	L(IC616)
400	2	710	1000	375	80	170	22	71	400	φ35	160	900	650	740	1550	125	1570	2260	2450
	4/10			335	110	210	28	100										2280	2480
450	2	800	1120	400	90	170	25	81	450	φ35	180	1000	695	790	1700	225	1790	2520	2800
	4			355	120	210	32	109										2540	2820
	6/12			130	250	32	119	2580										2880	
500	2	900	1250	560	100	210	28	90	500	φ42	190	1120	760	850	1800	335	1880	2730	3000
	4			475	130	250	32	119										2750	3050
	6/12			140	36	128													
560	2	1000	1400	560	110	210	28	100	560	φ42	210	1220	810	900	1950	455	2125	3000	3300
	4			500	150	250	36	138										3020	3320
	6/12			160	300	40	147	3070										3370	
630	2	1120	1600	560	130	250	32	119	630	φ48	220	1360	835	970	2100	605	2250	3270	3500
	4			530	170	300	40	157										3290	3550
	6/12			180	45	165													

