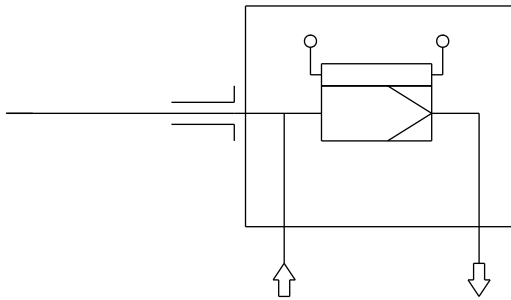


Sample gas probe GAS 222.20

Flow Diagram



Description:

- Heated sample gas probe with downstream filter and weather protection shield
- Filter election can be replaced without tools
- Effective insulation and protection shield
- Electronic heater up to 200°C with low/high temperature alarm and display
- Dust concentration up to 2g/m³
- Not for hazardous areas

Technical Data:

- Material: 1.4571
- Seals: Graphite/1.4404 and see filter element
- Operating temperature: max. 200°C
- Max. working pressure: 6 bar
- Voltage: 230 V, 2,0 A, 50/60Hz
or 115 V, 3,8 A, 50/60Hz,
- Temperature range: +50 to +200°C
- Alarm: adjustable $\pm 5 \dots 30K$ from set point, factory set 15K current max. 1A
- Protection class: IP54
- Ambient temperature: -20 up to +70°C (may be limited by options)

Order information: Base units:

- GAS 222.20 230V p/n 4622220
- GAS 222.20 115V p/n 4622222

In combination with heated extensions (see accessories) you have to add a "G" to p/n. For example: 4622220G.

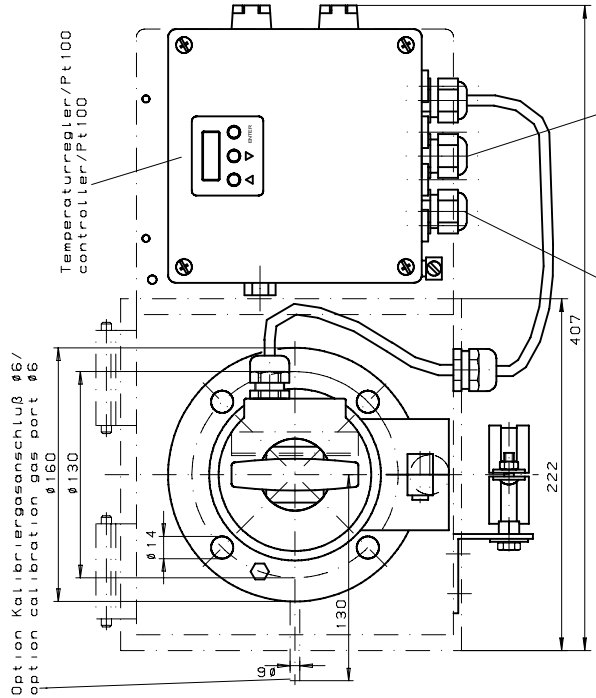
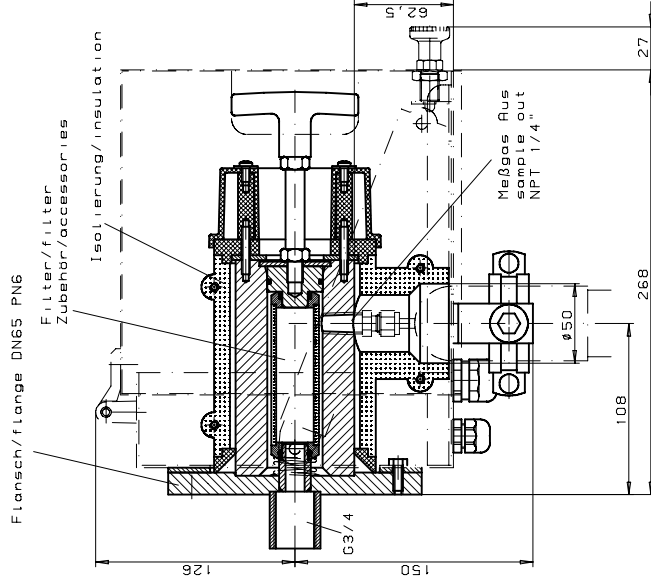
Options:

To customize the base unit to meet the needs of any application, please refer to data sheet DE461099 "Accessories for Gas Sample Probes".

- Various probe tubes
- Heated/unheated extensions
- Filters
- Calibration gas port
- ANSI flange 3"



For general information see data sheet "Gas Sample Probes GAS 222" DE461000.



Netz/power
M20x1,5
#6-12mm

Unter/Übertemperaturalarm
low/high temperature alarm
M20x1,5
#6-12mm

Art Nr./part-no	4622220	4622222
Werkstoffe/materials	1 4571 / S5316Ti	
-Flansch, Kopf / flange, head	max 200°C / 392°F	
Betriebstemperatur Sonde/ operating temperature probe	230V 50/60Hz 40W 115 50/60Hz 425W	
Heizung / heater	50 200°C / 122 392°F	
-Temperaturbereich / temperature range	±5 30°C / ±9 54°F	
-Alarm einstellbar / alarm adjustable	vom Sollwert / from set-point	
werkseitig eingestellt / factory set	±15°C / ±27°F	
max Schaltstrom / max current	1A	
-Schutzart / degree of protection	IP54	
-Umgebungstemperatur / ambient temperature	-20 +70°C / -4 +158°F	

Alle Konten prüfen.	ALLE RECHTE VORBEHALTEN	Maßstab 1:2	(Draht)
Überflächen- verletzungen		Maßstab ohne Probegabe nach ISO 2788-4k	Herzstoff
✓		Druck	Benennung
✓		Temp.	Gasentnahmesonde/ sample gas probe
✓		Größe	GAS 222 20
✓		Gründung	Zeichn.-Nr. 46/062-01-2
✓			Art.-Nr.
✓			ARBEITSEINLEITUNG

