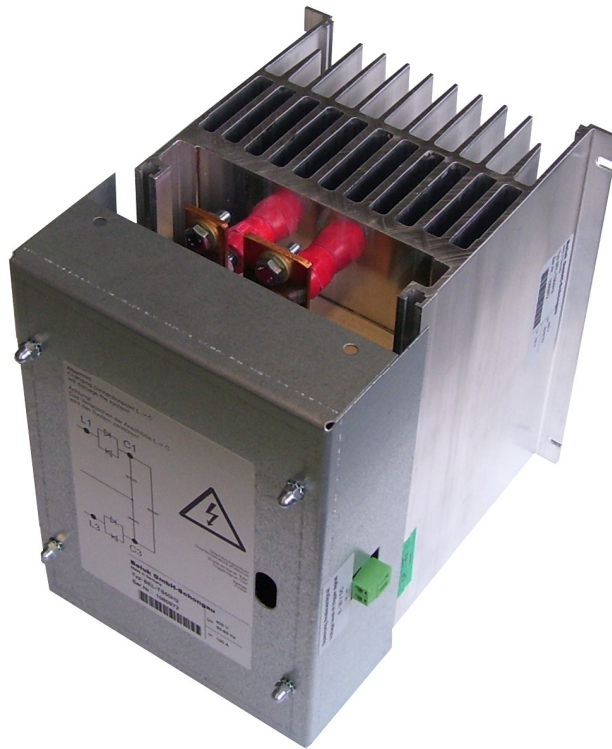


Datasheet



BEL-TS

Static contactor H2@400 to 480V

Rapid switching of capacitors in LV-grid

Beluk GmbH
Taubenstrasse 1
86956 Schongau
Germany

Tel.: +49/(0)8861/2332-0
Fax: +49/(0)8861/2332-22

e-mail: blr@beluk.de
<http://www.beluk.de>



Static contactor for rapid switching of capacitors in low voltage grids

Revisionlist

Date	Name	Revision	Changes
05.12.17	ChP	01	Initial datasheet release
06.12.17	ChP	02	Update of technical data
18.01.18	ChP	03	Add kind of module type to technical data. Connection scheme changed. Mechanical drawings updated. Imported note about discharging devices of technical data updated.

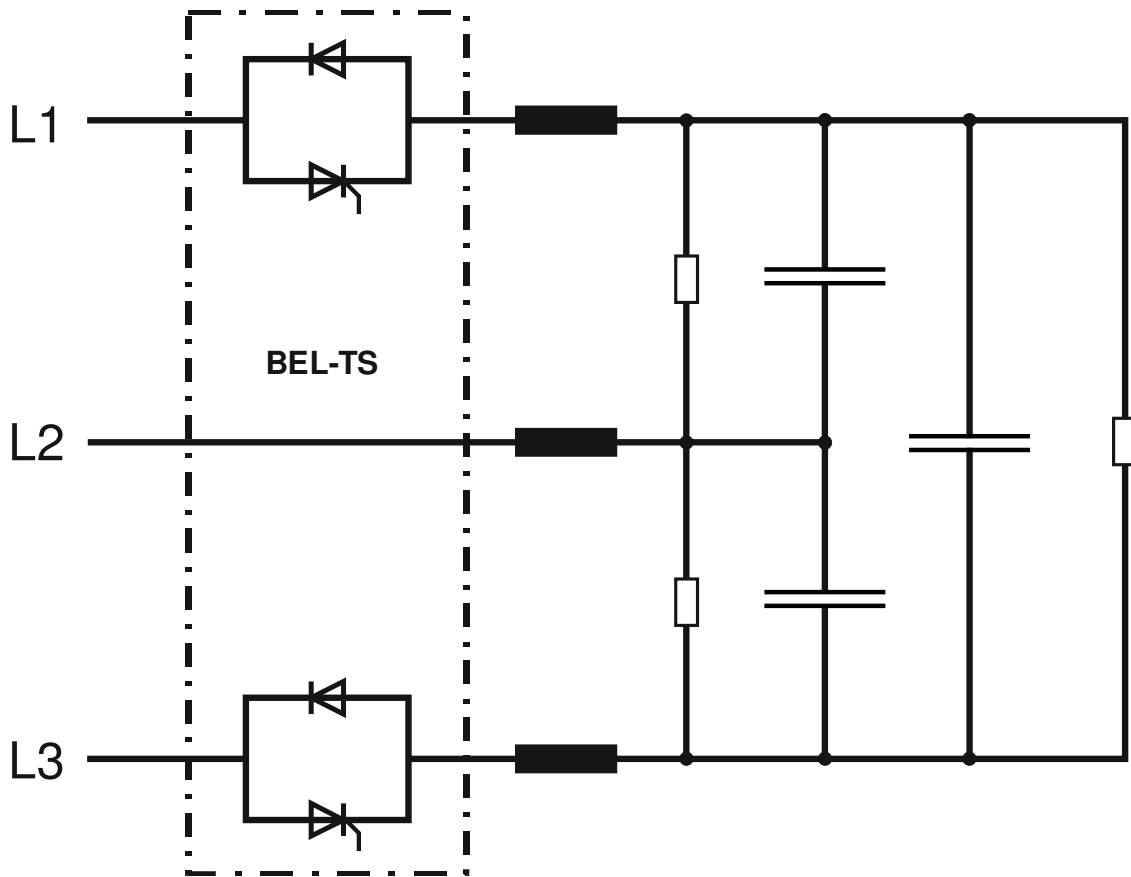


Static contactor for rapid switching of capacitors in low voltage grids

Content

1	Connection scheme	4
2	Technical data.....	5
3	Mechanical drawings.....	7

1 Connection scheme



2 Technical data

Type	3TA042H2-**18X-0*	3TA072H2-**22X-0*	3TA072H2-**22X-0*	3TA092H2-**18X-0*	3TA072H2-**22X-0*	3TA072H2-**22X-0*
Nominal power [kvar]	25			50		
Main voltage [V] +/- 10%	400	440	480	400	440	480
Nominal current [A] max. +30%	36	33	30	72	66	60
i^2t ($T_{vj}=125^{\circ}C$, 8,3...10ms) [A^2s]	3600	10500	10500	15000	10500	10500
V_{RRM} , V_{DRM} [V]	1800	2200	2200	1800	2200	2200
Modules	2 x Thyristor-Diode					
Discharge capacitors	⚠ CAUTION It's not allowed to use discharge reactors! Using of <u>special discharging resistors</u> for static contactors is mandatory! Please contact your capacitor manufacturer!					
Recovery time	Typically 1 period					
Switched phases	2, half controlled					
Supply voltage	From power circuit (optional: external supply voltage)					
Power consumption supply	Max. 9VA					
Voltage trigger signal	8 - 30V DC					
Consumption trigger input	5mA at 12V DC 10mA at 24V DC					
Over temperature protection	Integrated in firing unit					
Dimensions [mm]: W x D x H	Approx. 200 x 160 x 220					
Weight	Approx. 5,1 kg					
Power losses at nominal current [W]	77	61	55	138	137	123
Cooling	AN (Air Natural)					
Protection class	IP10					
Humidity	10% - 95% (without moisture condensation)					
Max. altitude	1000m above sea level (Operation at higher altitude with reduced power possible)					
Max. ambient temperature	+45°C (operation with nominal power) +65°C (operation with reduced power)					
Min. ambient temperature	-10°C					

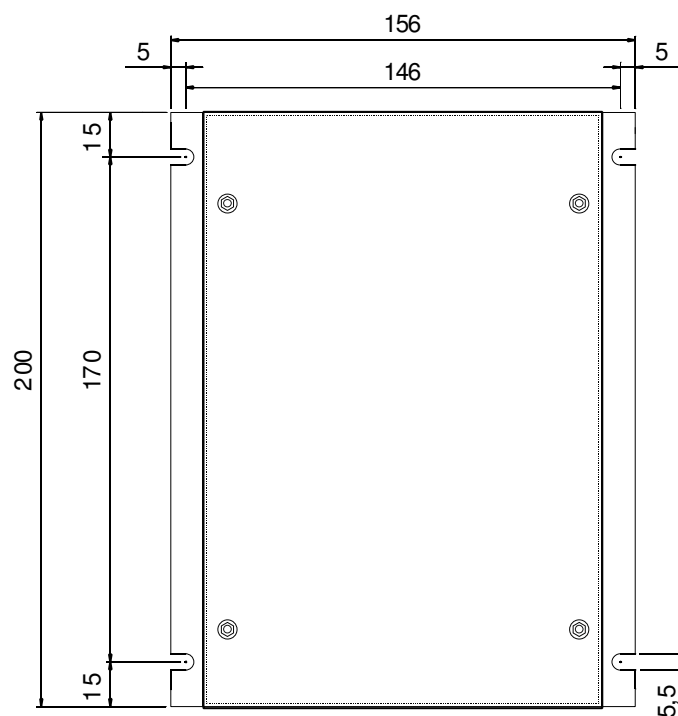
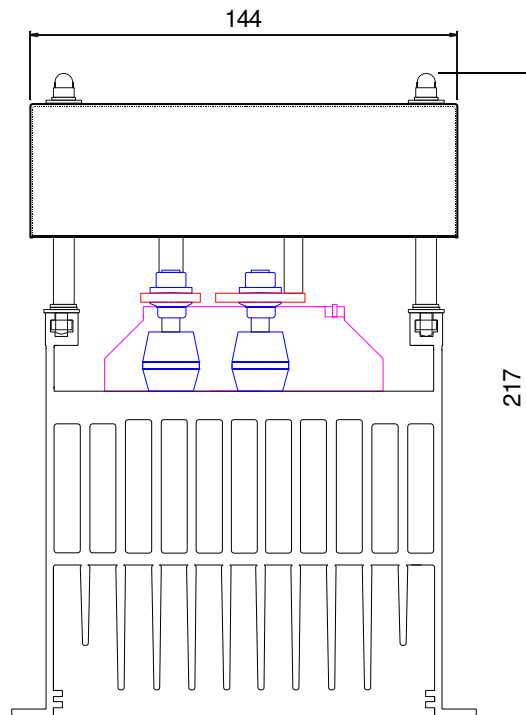
Static contactor for rapid switching of capacitors in low voltage grids

Type	3TA092H2-**18B-0*	3TA092H2-**18C-0*	3TA072H2-**22B-0*	3TA072H2-**22C-0*	3TA072H2-**22B-0*	3TA072H2-**22C-0*	3TA162H2-**18B-0*	3TA162H2-**18C-0*	3TA162H2-**22B-0*	3TA162H2-**22C-0*	3TA162H2-**22B-0*	3TA162H2-**22C-0*
Nominal power [kvar]	75			100			125					
Main voltage [V] +/- 10%	400	440	480	400	440	480	480					
Nominal current [A] max. +30%	108	98	90	144	131	120	150					
i ² t (T _{vj} =125°C, 8,3...10ms) [A ² s]	15000	10500	10500	125000	115000	115000	115000					
V _{RRM} , V _{DRM} [V]	1800	2200	2200	1800	2200	2200	2200					
Modules	2 x Thyristor-Diode											
Discharge capacitors	<p style="text-align: center;">⚠ CAUTION</p> <p style="text-align: center;">It's not allowed to use discharge reactors!</p> <p style="text-align: center;">Using of <u>special discharging resistors</u> for static contactors is mandatory!</p> <p style="text-align: center;">Please contact your capacitor manufacturer!</p>											
Recovery time	Typically 1 period											
Switched phases	2, half controlled											
Supply voltage	From power circuit (optional : external supply voltage)											
Power consumption supply	Max. 9VA											
Voltage trigger signal	8 - 30V DC											
Consumption trigger input	5mA at 12V DC 10mA at 24V DC											
Over temperature protection	Integrated in firing unit											
Dimensions [mm]: W x D x H	Approx. 260 x 160 x 220											
Weight	Approx. 5,6 kg											
Power losses at nominal current [W]	223	228	204	284	253	228	299					
Cooling	AF (Air Forced) (Fan supply voltage can be select when ordering. Possible is B = 115V AC respectively C = 230V AC)											
Protection class	IP10											
Humidity	10% - 95% (without moisture condensation)											
Max. altitude	1000m above sea level (Operation at higher altitude with reduced power possible)											
Max. ambient temperature	+45°C (operation with nominal power) +65°C (operation with reduced power)											
Min. ambient temperature	-10°C											

3 Mechanical drawings

without fan:

3TA042H2-**18X-0*, 3TA092H2-**18X-0*, 3TA072H2-**22X-0*



Static contactor for rapid switching of capacitors in low voltage grids

with fan:

3TA092H2-**18*-0*, 3TA072H2-**22*-0*, 3TA162H2-**18*-0*, 3TA162H2-**22*-0*

