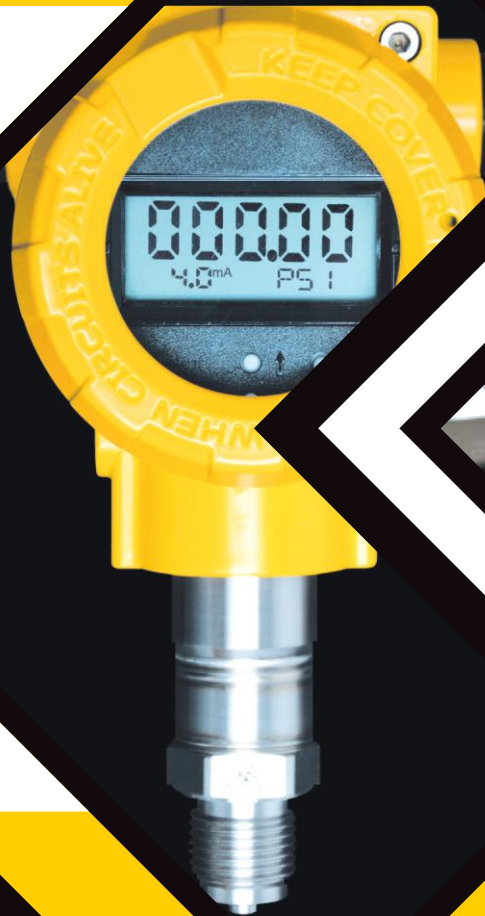


APLISENS[®]



2019-2020

PRODUCT CATALOGUE

PRESSURE
FLOW
LEVEL
TEMPERATURE



Chapters

- I Devices for measurement of pressure or level in open tanks**
- II Devices for measurement of differential pressure or level in pressure tanks**
- III Diaphragm seals**
- IV Valves and fitting accessories**
- V Hydrostatic level probes, hydrostatic density transmitter**
- VI Digital indicators**
- VII Power supplies, isolators, signal converters, overvoltage protection**
- VIII Flow measurement**
- IX Temperature transmitters**
- X Temperature sensors**
- XI Electropneumatic positioner**
- XII Hart communication tools**

Chapter I

Devices for measurement of pressure or level in open tanks

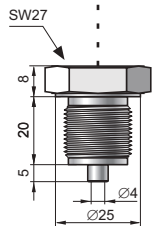
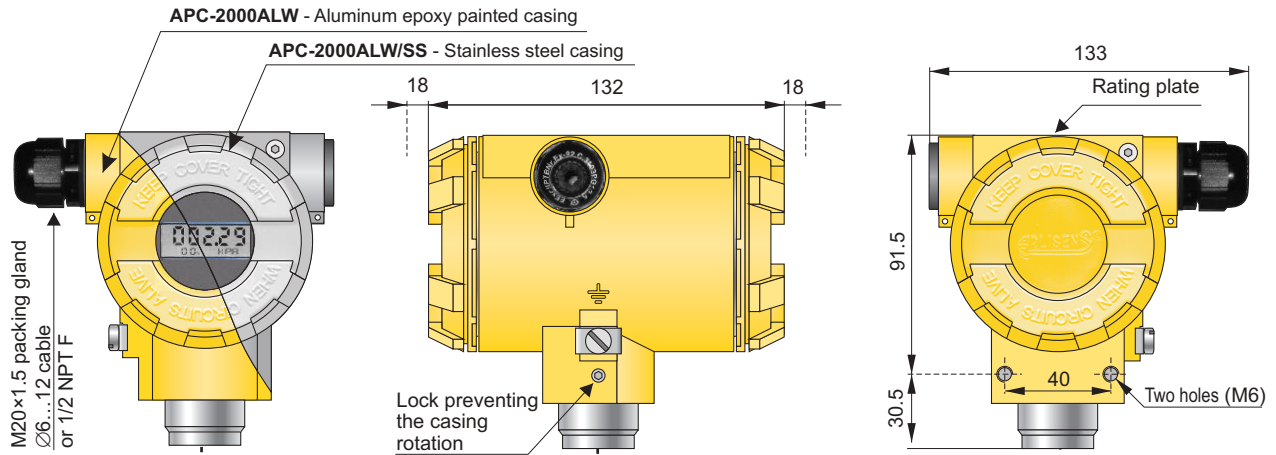
Smart pressure transmitter APC-2000ALW	I/ 2
Smart pressure transmitter APCE-2000	I/ 7
Pressure transmitter PCE-28.Smart	I/ 10
Pressure transmitter PCE-28.Smart/Exd	I/ 13
Pressure transmitter PCE-28	I/ 16
Pressure transmitter PCE-28/Exd	I/ 19
Pressure transmitter AS	I/ 22
Industrial pressure gauge MS-100K	I/ 23
Pressure gauge with diaphragm seal MS-100	I/ 24

SMART PRESSURE TRANSMITTER APC-2000ALW

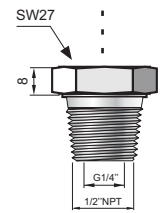


- ✓ 4...20 mA output signal + HART protocol
(special version: 0...20 mA or 0...5 mA output signal + HART protocol)
- ✓ Display with backlight
- ✓ Programmable range, zero shift, characteristic and damping ratio with local panel keys
- ✓ SIL 2 certificate
- ✓ Intrinsic safety certificate (ATEX, IECEx)
- ✓ Explosion proof certificate (ATEX, IECEx)
- ✓ Marine certificate – DNV, BV
- ✓ PED Conformity (97/23/EC)
- ✓ Accuracy 0,075% (0,05% on request)
- ✓ Gold plated diaphragm (Au)
- ✓ MID (Measuring Instruments Directive) – certificate acc. to 2004/22/WE directive and OIML R140:2007 recommendations.

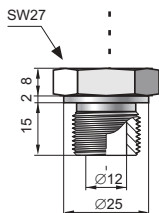
up to 5 years warranty



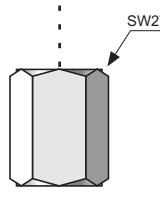
**G1/2 type
M type**
G1/2", Ø4 hole
M20x1.5, Ø4 hole



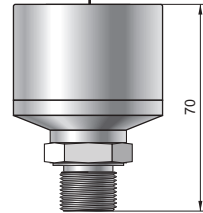
1/2"NPT M type
1/2"NPT male +
internal thread G1/4"



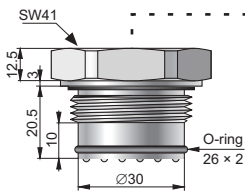
**GP type
P type**
G1/2", Ø12 hole
M20x1.5, Ø12 hole



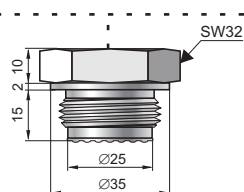
1/2"NPT F type
internal thread
1/2-14NPT



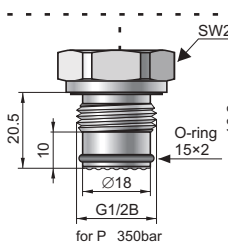
**GP type
P type**
1/2"NPT M type
for HS version



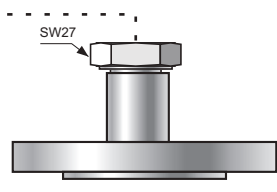
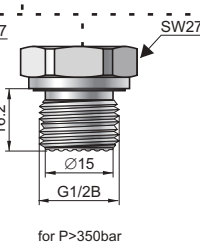
CG1 type
G1" with flush diaphragm



CM30x2 type
M30x2 with flush diaphragm



CG1/2 type
G1/2" with flush diaphragm



**Version with direct or remote
diaphragm seal**
Diaphragm seal data -
see chapter III

Application and construction

Smart pressure transmitters are applicable to the measurement of the pressure, underpressure and absolute pressure of gases, vapours and liquids. The active sensing element is a piezoresistant silicon sensor separated from the medium by a diaphragm and by specially selected type of manometric liquid. The casing is made of aluminium alloy cast or 316SS stainless steel, degree of protection IP66/IP67. The design of the casing enables the use of a local display, rotation of the display, rotation of the casing by 0–340° relative to the sensor, and a choice of cable direction.

The communication standard for data interchange with the transmitter is the Hart protocol.

Communication with the transmitter is carried out with:

- a KAP-03, KAP-03Ex communicator
- some other Hart type communicators, (*)
- a PC using an HART/USB converter and Raport 2 configuration software.

(*) .eddl files available on www.aplisens.com.

The data interchange with the transmitter enables users to:

- ◆ identify the transmitter
- ◆ configure the output parameters:
 - measurement units and the values of the start points and end points at the measurement range
 - damping time constant
 - conversion characteristic (inversion, user's non-linear characteristic)
- ◆ read the currently measured pressure value of the output current and the percentage output control level
- ◆ force an output current with a set value
- ◆ calibrate the transmitter in relation to a model pressure

Installation

The transmitter can be installed directly on the installation. An universal mounting bracket is provided to transmitter fitting on 2" pipe (the AL mounting bracket, see page IV/5). When the pressure of steam or other hot media is measured, a siphon or impulse line should be used. The needle valve placed upstream the transmitter simplifies installation process and enables the zero point adjustment or the transmitter replacement. When the special process connections are required for the measurement of levels and pressures (e.g. at food and chemical industries), the transmitter is provided with an Aplisens diaphragm seal. Installing accessories and a full scope of diaphragm seals are described in detail in the further part of the catalogue. The transmitter's electrical connections should be performed with twisted cable. The place for the communicator should be assigned before the communicator installation.

Measuring ranges

No.	Nominal measuring range (FSO)		Minimum set range		Rangeability	Overpressure limit (without hysteresis)****	
1	0...1000 bar	(0...100 MPa)	10 bar	(1 MPa)	100:1	1200 bar	(120 MPa)
2	0...600 bar	(0...60 MPa)	6 bar	(600 kPa)	100:1	1200 bar	(120 MPa)
3	0...300 bar **	(0...30 MPa)	3 bar	(300 kPa)	100:1	450 bar	(45 MPa)
4	0...160 bar **	(0...16 MPa)	1,6 bar	(160 kPa)	100:1	450 bar	(45 MPa)
5	0...70 bar **	(0...7 MPa)	0,7 bar	(70 kPa)	100:1	140 bar	(14 MPa)
6	-1...70 bar **	(-0,1...7 MPa)	0,71 bar	(71 kPa)	100:1	140 bar	(14 MPa)
7	0...25 bar **	(0...2,5 MPa)	0,25 bar	(25 kPa)	100:1	50 bar	(5 MPa)
8	-1...25 bar **	(-0,1...2,5 MPa)	0,26 bar	(26 kPa)	100:1	50 bar	(5 MPa)
9	0...7 bar **	(0...0,7 MPa)	0,07 bar	(7 kPa)	100:1	14 bar	(1,4 MPa)
10	-1...7 bar **	(-100...700 kPa)	0,08 bar	(8 kPa)	100:1	14 bar	(1,4 MPa)
11	-1...1,5 bar **	(-100...150 kPa)	0,12 bar	(12 kPa)	20:1	4 bar	(400 kPa)
12	0...2 bar **	(0...200 kPa)	100 mbar	(10 kPa)	20:1	4 bar	(400 kPa)
13	0...1 bar **	(0...100 kPa)	50 mbar	(5 kPa)	20:1	2 bar	(200 kPa)
14	-0,5...0,5 bar **	(-50...50 kPa)	50 mbar	(5 kPa)	20:1	2 bar	(200 kPa)
15	0...0,25 bar **	(0...25 kPa)	25 mbar	(2,5 kPa)	10:1	1 bar	(100 kPa)
16	-100...100 mbar **	(-10...10 kPa)	20 mbar	(2 kPa)	10:1	1 bar	(100 kPa)
17	-15...70 mbar */**	(-1,5...7 kPa)	5 mbar	(0,5 kPa)	17:1	0,5 bar	(50 kPa)
18	-25...25 mbar */***	(-2,5...2,5 kPa)	2 mbar	(0,2 kPa)	25:1	0,5 bar	(50 kPa)
19	-7...7 mbar */***	(-0,7...0,7 kPa)	1 mbar	(0,1 kPa)	14:1	0,5 bar	(50 kPa)
20	0...1,3 bar abs	(0...130 kPa abs)	100 mbar abs	(10 kPa abs)	13:1	2 bar	(200 kPa)
21	0...7 bar abs	(0...0,7 MPa abs)	100 mbar abs	(10 kPa abs)	70:1	14 bar	(1,4 MPa)
22	0...25 bar abs	(0...2,5 MPa abs)	0,25 bar abs	(25 kPa abs)	100:1	50 bar	(5 MPa)
23	0...70 bar abs	(0...7 MPa abs)	0,7 bar abs	(70 kPa abs)	100:1	140 bar	(14 MPa)
24	0...300 bar abs	(0...30 MPa abs)	3 bar abs	(300 kPa abs)	100:1	450 bar	(45 MPa)

* transmitters not available with diaphragm seal; not available in Exd version

** transmitters available in HS version

*** transmitters available only in HS version; not available with SIL2

**** overpressure limit can be different for version according to PED norm No. 97/23/EC

Technical data

Metrological parameters

Accuracy ≤ ±0,075% of the calibrated range
(≤ ±0,1% for range no. 19)

Special version: ≤ ±0,05% of the calibrated range

Long-term stability ≤ accuracy for 3 years
(for the nominal measuring range) or ≤ 2 x accuracy for 5 years
HS version (ranges 3+15): ≤ accuracy for 6 years
or ≤ 2 x accuracy for 10 years

Thermal error < ±0,05% (FSO) / 10°C
(0,1% for ranges no. 16+19)
max. ±0,25% (FSO) in the whole compensation range
(0,4% for ranges no. 16+19)

Thermal compensation range -25...80°C
Special version: -40...80°C

Response time 16...480ms (programmable)
Exd version: 150ms

Additional electronic damping

0...60 s

Error due to supply voltage changes

0,002% (FSO) / V

Electrical parameters

Power supply:

10...55 VDC

Exia: 10,5...30 VDC / Exd: 10,5...45 VDC

SIL2: 15...45 VDC / SIL2 Exia: 16...28 VDC

MID Exia: 13,5...28VDC / MID Exd: 13,5...45 VDC

Output signal

4...20 mA + HART

Load resistance (for standard version)

$$R[\Omega] \leq \frac{U_{\text{sup}}[V] - 10V}{0,0225A}$$

Resistance required for communication

min. 240 Ω

Materials

Wetted parts and diaphragms: 316Lss, Hastelloy C 276, Au
Casing: Aluminum, 316SS
Material of window: polycarbonate glass, hardened glass

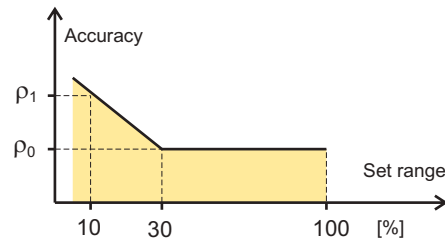
Operating conditions

Operating temperature range (ambient temp.) -40...85°C
 Exia version -40...80°C
 Exd version -40...75°C
Medium temperature range -40...120°C

over 120°C – measurement with use an impulse line or diaphragm seals
 up to 100°C – PED version

CAUTION: the medium must not be allowed to freeze in the impulse line or close to the process connection of the transmitter

Accuracy depending on the set range



ρ_0 – error for range 30...100% FSO

ρ_1 – error for range 10% FSO

$\rho_1 = 2 \times \rho_0$

Numerical error values are given in the technical data under metrological parameters

SMART PRESSURE TRANSMITTER APC-2000ALW version with MID

Application

Smart pressure transmitter APC-2000ALW MID is applicable to the measurement of the pressure and absolute pressure in application designed according to directive 2004/22/EC (MID), harmonized standard PN-EN12405-1:2005 + A2:2010 and recommendation OIML R140:2007. Device subcomponent suitable for custody transfer measurement of gas with MID approval. Mechanical construction and installation of the transmitter enclosure shall comply with the transmitter APC-2000ALW are described on page I/ 3 of catalogue. Pressure transmitters APC-2000ALW MID are produced only with nominal ranges according to the table. Transmitter due to factory blockage of transmitter's configuration cannot be configurable by user. Electrical connection of the transmitter is according to drawing on page I/ 3. Available are only terminals SIGNAL + and SIGNAL -. Note! For custody transfer applications, the cover clamp screws have to be locked with seal wire.

Metrological parameters

Max. permissible error according to EN12405-1 (calculated in relation to the measured value)

- in reference conditions $\leq 0,2\%$
 - nominal operating conditions $\leq 0,5\%$
 special version $\leq 0,3\%$

Long-term stability $< 0,5\% / 5$ years

Operating temperature range -25...55°C

Power supply Exia: 13,5...28 VDC

Exd: 13,5...45 VDC

MID Parts Certificate No. 27/12

Measuring ranges

Nominal measuring range		Overpressure limit (without hysteresis)	
10+100 bar ABS	(1+10 MPa ABS)	450 bar	(45 MPa)
2+20 bar ABS	(0,2+2 MPa ABS)	50 bar	(5 MPa)
2+20 bar	(0,2+2 MPa)	50 bar	(5 MPa)
0,9+7 bar ABS	(0,09+0,7 MPa ABS)	14 bar	(1,4 MPa)
0,9+7 bar	(0,09+0,7 MPa)	14 bar	(1,4 MPa)

Ordering procedure

Model	Code	Description
APC-2000		Smart pressure transmitter
Casing, output signal	/ALW.....	Aluminum housing, IP66/IP67, with display, output 4-20mA + Hart
	/MID.....	MID – certificate acc. to 2004/22/EC directive and OIML R140:2007 recommendations
Versions, certificates	/Exia..... /Exd.....	Ex II 1/2G Ex ia IIC T4/T5 Ga/Gb, II 1 D Ex ia IIIC T105°C Da Ex II 1/2G Ex ia/db IIC T5/T6 Ga/Gb, II 1/2D Ex ia/tb IIIC T85°C /T100°C Da/Db
Nominal measuring range	/10+100 bar ABS /2+20 bar ABS /2+20 bar /0,9+7 bar ABS /0,9+7 bar	10+100 bar ABS (1+10 MPa ABS) with possibility of changing, min. range 10+70 bar ABS (1+7 MPa ABS) 2+20 bar ABS (0,2+2 MPa ABS) 2+20 bar (0,2+2 MPa) 0,9+7 bar ABS (0,09+0,7 MPa ABS) 0,9+7 bar (0,09+0,7 MPa)
Process connections	/M..... /G1/2..... /G1/2(Au)..... /P..... /GP..... /1/2"NPTM..... /1/2"NPTF.....	Thread M20x1,5 (male) with Ø4 hole, wetted parts SS316L Thread G1/2" (male) with Ø4 hole, wetted parts SS316L Thread G1/2" (male) with Ø4 hole, gold plated diaphragm Thread M20x1,5 (male) with Ø12 hole, wetted parts SS316L Thread G1/2" (male) with Ø12 hole, wetted parts SS316L Thread 1/2"NPT Male, wetted parts SS316L Thread M20x1,5 with adapter to 1/2"NPT Female, wetted parts SS316L
Electrical connection	(without marking) /US.....	Packing gland M20x1,5 Thread 1/2"NPT Female
Accessories	/AL..... /AL(SS)..... /ST..... /MT.....	Mounting bracket type AL for 2" pipe, material zinc plated steel Mounting bracket type AL for 2" pipe, material stainless steel Stainless Steel plate riveted to the housing Stainless Steel Tag plate mounted on wire

Ordering procedure

Model	Code	Description																																																		
APC-2000		Smart pressure transmitter																																																		
Casing, output signal	/ALW.....	Aluminum housing, IP66, with display, output 4-20mA + Hart																																																		
	/ALW/SS.....	Stainless steel housing, IP66, with display, output 4-20mA + Hart																																																		
Versions, certificates*	/Exia.....	<p> II 1/2G Ex ia IIC T4/T5 Ga/Gb</p> <p>IECEX Ex ia IIC T4/T5 Ga/Gb</p>																																																		
	/Exia (Da).....	<p> II 1/2G Ex ia IIC T4/T5 Ga/Gb</p> <p> II 1D Ex ia IIIC T105°C Da</p> <p>I M1 Ex ia I Ma (version with SS housing)</p> <p>Ex ia IIC T4/T5 Ga/Gb</p> <p>IECEX Ex ia IIIC T105°C Da</p> <p>Ex ia I Ma (version with SS housing)</p>																																																		
	/Exd.....	<p> II 1/2G Ex ia/db IIC T6/T5 Ga/Gb</p> <p>II 1/2D Ex ia/tb IIIC T85°C/T100°C Da/Db</p> <p>I M2 Exd ia I Mb (version with SS housing)</p> <p>Ex ia/db IIC T6/T5 Ga/Gb</p> <p>IECEX Ex ia/tb IIIC T85°C/T100°C Da/Db</p> <p>Ex db ia I Mb (version with SS housing)</p> <p>not available for ranges no. 16+19</p>	Packing gland available on request																																																	
	/Exd (2G).....	<p> II 2G Ex ia/db IIC T6/T5 Gb</p> <p>II 2D Ex ia/tb IIIC T85°C/T100°C Db</p> <p>Ex ia/db IIC T6/T5 Gb</p> <p>IECEX Ex ia/tb IIIC T85°C/T100°C Db</p>																																																		
	/SA.....	Surge arrester for Exia version																																																		
	/Safety.....	SIL2 - Functional Safety certificate according to PN-EN 61508-1:2010; PN-EN 61508-2:2010; PN-EN 61508-3:2010; PN-EN 61511-1:2007; PN-EN 62061:2008+A1 not available for ranges no. 16+19																																																		
	/PED.....	European Pressure Equipment Directive N° 97/23/EC, category IV not available for transmitters with Hastelloy C 276 wetted parts																																																		
	/HS.....	Ultra stable version (only ranges no. 3+19, process connections: P, GP and ½"NPTM)																																																		
	/0,05%.....	Accuracy ≤ ±0,05%																																																		
	/MR.....	Marine certificate – DNV, BV																																																		
	/Tien.....	For oxygen service (sensor filled with Fluorolube fluid), only G1/2" connection																																																		
	/-40...80°C.....	Extended thermal compensation range -40 + 80°C																																																		
/IP67.....	Protection class IP67																																																			
/NACE.....	NACE MR-01-75 certificate (process connections: M, G1/2", P, GP and ½"NPTM)																																																			
Nominal measuring range	/0+1000 bar.....	<table border="1" style="width: 100%; border-collapse: collapse;"> <thead> <tr> <th style="width: 30%;">Range</th> <th style="width: 40%;">Min. set range</th> </tr> </thead> <tbody> <tr><td>0+1000 bar (0+100 MPa)</td><td>10 bar (1 MPa)</td></tr> <tr><td>0+600 bar (0+60 MPa)</td><td>6 bar (600 kPa)</td></tr> <tr><td>0+300 bar (0+30 MPa)</td><td>3 bar (300 kPa)</td></tr> <tr><td>0+160 bar (0+16 MPa)</td><td>1,6 bar (160 kPa)</td></tr> <tr><td>0+70 bar (0+7 MPa)</td><td>0,7 bar (70 kPa)</td></tr> <tr><td>-1+70 bar (-0,1+7 MPa)</td><td>0,71 bar (71 kPa)</td></tr> <tr><td>0+25 bar (0+2,5 MPa)</td><td>0,25 bar (25 kPa)</td></tr> <tr><td>-1+25 bar (-0,1+2,5 MPa)</td><td>0,26 bar (26 kPa)</td></tr> <tr><td>0+7 bar (0+700 kPa)</td><td>0,07 bar (7 kPa)</td></tr> <tr><td>-1+7 bar (-100+700 kPa)</td><td>0,07 bar (7 kPa)</td></tr> <tr><td>-1+1,5 bar (-100+150 kPa)</td><td>120 mbar (12 kPa)</td></tr> <tr><td>0+2 bar (0+200 kPa)</td><td>100 mbar (10 kPa)</td></tr> <tr><td>0+1 bar (0+100 kPa)</td><td>50 mbar (5 kPa)</td></tr> <tr><td>-0,5+0,5 bar (-50+50k Pa)</td><td>50 mbar (5 kPa)</td></tr> <tr><td>0+0,25 bar (0+25 kPa)</td><td>25 mbar (2,5 kPa)</td></tr> <tr><td>-100+100mbar (-10+10 kPa)</td><td>20 mbar (2 kPa)</td></tr> <tr><td>-15+70 mbar (-1,5+7 kPa)</td><td>5 mbar (0,5 kPa)</td></tr> <tr><td>-25+25 mbar (-2,5+2,5 kPa)</td><td>2 mbar (0,2 kPa)</td></tr> <tr><td>-7+7 mbar (-0,7+0,7 kPa)</td><td>1 mbar (0,1 kPa)</td></tr> <tr><td>0+1,3 bar ABS (0+130 kPa ABS)</td><td>0,1 bar ABS (10 kPa ABS)</td></tr> <tr><td>0+7 bar ABS (0+700 kPa ABS)</td><td>0,1 bar ABS (10 kPa ABS)</td></tr> <tr><td>0+25 bar ABS (0+2,5 MPa ABS)</td><td>0,25 bar ABS (25 kPa ABS)</td></tr> <tr><td>0+70 bar ABS (0+7 MPa ABS)</td><td>0,7 bar ABS (70 kPa ABS)</td></tr> <tr><td>0+300 bar ABS (0+30 MPa ABS)</td><td>0,3 bar ABS (30 kPa ABS)</td></tr> </tbody> </table>	Range	Min. set range	0+1000 bar (0+100 MPa)	10 bar (1 MPa)	0+600 bar (0+60 MPa)	6 bar (600 kPa)	0+300 bar (0+30 MPa)	3 bar (300 kPa)	0+160 bar (0+16 MPa)	1,6 bar (160 kPa)	0+70 bar (0+7 MPa)	0,7 bar (70 kPa)	-1+70 bar (-0,1+7 MPa)	0,71 bar (71 kPa)	0+25 bar (0+2,5 MPa)	0,25 bar (25 kPa)	-1+25 bar (-0,1+2,5 MPa)	0,26 bar (26 kPa)	0+7 bar (0+700 kPa)	0,07 bar (7 kPa)	-1+7 bar (-100+700 kPa)	0,07 bar (7 kPa)	-1+1,5 bar (-100+150 kPa)	120 mbar (12 kPa)	0+2 bar (0+200 kPa)	100 mbar (10 kPa)	0+1 bar (0+100 kPa)	50 mbar (5 kPa)	-0,5+0,5 bar (-50+50k Pa)	50 mbar (5 kPa)	0+0,25 bar (0+25 kPa)	25 mbar (2,5 kPa)	-100+100mbar (-10+10 kPa)	20 mbar (2 kPa)	-15+70 mbar (-1,5+7 kPa)	5 mbar (0,5 kPa)	-25+25 mbar (-2,5+2,5 kPa)	2 mbar (0,2 kPa)	-7+7 mbar (-0,7+0,7 kPa)	1 mbar (0,1 kPa)	0+1,3 bar ABS (0+130 kPa ABS)	0,1 bar ABS (10 kPa ABS)	0+7 bar ABS (0+700 kPa ABS)	0,1 bar ABS (10 kPa ABS)	0+25 bar ABS (0+2,5 MPa ABS)	0,25 bar ABS (25 kPa ABS)	0+70 bar ABS (0+7 MPa ABS)	0,7 bar ABS (70 kPa ABS)	0+300 bar ABS (0+30 MPa ABS)	0,3 bar ABS (30 kPa ABS)
	Range	Min. set range																																																		
	0+1000 bar (0+100 MPa)	10 bar (1 MPa)																																																		
	0+600 bar (0+60 MPa)	6 bar (600 kPa)																																																		
	0+300 bar (0+30 MPa)	3 bar (300 kPa)																																																		
	0+160 bar (0+16 MPa)	1,6 bar (160 kPa)																																																		
	0+70 bar (0+7 MPa)	0,7 bar (70 kPa)																																																		
	-1+70 bar (-0,1+7 MPa)	0,71 bar (71 kPa)																																																		
	0+25 bar (0+2,5 MPa)	0,25 bar (25 kPa)																																																		
	-1+25 bar (-0,1+2,5 MPa)	0,26 bar (26 kPa)																																																		
	0+7 bar (0+700 kPa)	0,07 bar (7 kPa)																																																		
	-1+7 bar (-100+700 kPa)	0,07 bar (7 kPa)																																																		
	-1+1,5 bar (-100+150 kPa)	120 mbar (12 kPa)																																																		
	0+2 bar (0+200 kPa)	100 mbar (10 kPa)																																																		
	0+1 bar (0+100 kPa)	50 mbar (5 kPa)																																																		
	-0,5+0,5 bar (-50+50k Pa)	50 mbar (5 kPa)																																																		
	0+0,25 bar (0+25 kPa)	25 mbar (2,5 kPa)																																																		
	-100+100mbar (-10+10 kPa)	20 mbar (2 kPa)																																																		
	-15+70 mbar (-1,5+7 kPa)	5 mbar (0,5 kPa)																																																		
	-25+25 mbar (-2,5+2,5 kPa)	2 mbar (0,2 kPa)																																																		
-7+7 mbar (-0,7+0,7 kPa)	1 mbar (0,1 kPa)																																																			
0+1,3 bar ABS (0+130 kPa ABS)	0,1 bar ABS (10 kPa ABS)																																																			
0+7 bar ABS (0+700 kPa ABS)	0,1 bar ABS (10 kPa ABS)																																																			
0+25 bar ABS (0+2,5 MPa ABS)	0,25 bar ABS (25 kPa ABS)																																																			
0+70 bar ABS (0+7 MPa ABS)	0,7 bar ABS (70 kPa ABS)																																																			
0+300 bar ABS (0+30 MPa ABS)	0,3 bar ABS (30 kPa ABS)																																																			
/0+600 bar.....	0+600 bar (0+60 MPa)	6 bar (600 kPa)																																																		
/0+300 bar.....	0+300 bar (0+30 MPa)	3 bar (300 kPa)																																																		
/0+160 bar.....	0+160 bar (0+16 MPa)	1,6 bar (160 kPa)																																																		
/0+70 bar.....	0+70 bar (0+7 MPa)	0,7 bar (70 kPa)																																																		
/-1+70 bar.....	-1+70 bar (-0,1+7 MPa)	0,71 bar (71 kPa)																																																		
/0+25 bar.....	0+25 bar (0+2,5 MPa)	0,25 bar (25 kPa)																																																		
/-1+25 bar.....	-1+25 bar (-0,1+2,5 MPa)	0,26 bar (26 kPa)																																																		
/0+7 bar.....	0+7 bar (0+700 kPa)	0,07 bar (7 kPa)																																																		
/-1+7 bar.....	-1+7 bar (-100+700 kPa)	0,07 bar (7 kPa)																																																		
/-1+1,5 bar.....	-1+1,5 bar (-100+150 kPa)	120 mbar (12 kPa)																																																		
/0+2 bar.....	0+2 bar (0+200 kPa)	100 mbar (10 kPa)																																																		
/0+1 bar.....	0+1 bar (0+100 kPa)	50 mbar (5 kPa)																																																		
/-0,5+0,5 bar.....	-0,5+0,5 bar (-50+50k Pa)	50 mbar (5 kPa)																																																		
/0+0,25 bar.....	0+0,25 bar (0+25 kPa)	25 mbar (2,5 kPa)																																																		
/-100+100 mbar.....	-100+100mbar (-10+10 kPa)	20 mbar (2 kPa)																																																		
/-15+70 mbar.....	-15+70 mbar (-1,5+7 kPa)	5 mbar (0,5 kPa)																																																		
/-25+25 mbar.....	-25+25 mbar (-2,5+2,5 kPa)	2 mbar (0,2 kPa)																																																		
/-7+7 mbar.....	-7+7 mbar (-0,7+0,7 kPa)	1 mbar (0,1 kPa)																																																		
/0+1,3 bar ABS.....	0+1,3 bar ABS (0+130 kPa ABS)	0,1 bar ABS (10 kPa ABS)																																																		
/0+7 bar ABS.....	0+7 bar ABS (0+700 kPa ABS)	0,1 bar ABS (10 kPa ABS)																																																		
/0+25 bar ABS.....	0+25 bar ABS (0+2,5 MPa ABS)	0,25 bar ABS (25 kPa ABS)																																																		
/0+70 bar ABS.....	0+70 bar ABS (0+7 MPa ABS)	0,7 bar ABS (70 kPa ABS)																																																		
/0+300 bar ABS.....	0+300 bar ABS (0+30 MPa ABS)	0,3 bar ABS (30 kPa ABS)																																																		
Measuring set range	/... [required units]	Calibrated range in relation to 4mA and 20mA output																																																		

See next page

Code		Description
Process connections	/M.....	Thread M20x1,5 (male) with Ø4 hole, wetted parts SS316L
	/G1/2.....	Thread G1/2" (male) with Ø4 hole, wetted parts SS316L
	/G1/2(Au).....	Thread G1/2" (male) with Ø4 hole, gold plated diaphragm (range no. 1, 2, 3, 4, 5)
	/P.....	Thread M20x1,5 (male) with Ø12 hole, wetted parts SS316L
	/GP.....	Thread G1/2" (male) with Ø12 hole, wetted parts SS316L
	/GP(Hastelloy).....	Thread G1/2" (male) with Ø12 hole, wetted parts Hastelloy C 276
	/CM30x2.....	Thread M30x2 with flush diaphragm, wetted parts SS316L (Pressure: min. 0,1bar / max. 70bar)
	/CM30x2(Hastelloy).....	Thread M30x2 with flush diaphragm, wetted parts Hastelloy C 276 (Pressure limits: min. 0,1bar / max. 70bar)
	/CG1".....	Thread G1" with flush diaphragm, wetted parts SS316L (Pressure limits: min. 0,1bar / max. 70bar)
	/CG1"(Hastelloy).....	Thread G1" with flush diaphragm, wetted parts Hastelloy C 276 (Pressure limits: min. 0,1bar / max. 70bar)
	/CG1/2".....	Thread G1/2" with flush diaphragm, wetted parts SS316L (Pressure limits: min. 2,5bar)
	/1/2"NPTM.....	Thread 1/2"NPT Male, G1/4" Female, wetted parts SS316L (Pressure limits: 1/2"NPT Male max. 690bar, G1/4" Female max. 1000bar)
/1/2"NPTF.....	Thread M20x1,5 with adapter to 1/2"NPT Female, wetted parts SS316L (Pressure limits: max. 690bar)	
/code of diaphragm seal.....	Diaphragm seal (see chapter of diaphragm seals)	
Electrical connection	(without marking) /US.....	Packing gland M20x1,5 Thread 1/2"NPT Female
Accessories	/AL.....	Mounting bracket type AL for 2" pipe, material zinced steel
	/AL(SS).....	Mounting bracket type AL for 2" pipe, material stainless steel
	/ST.....	Stainless Steel plate fixed to the housing
	/MT.....	Stainless Steel Tag plate mounted on wire

Example: Pressure transmitter, output 4...20mA + HART, version Exia, nominal measuring range 0...7bar, calibrated range 0...6bar, process connection 1/2"NPT male, electrical connection 1/2"NPTF.

APC-2000ALW/Exia/0..7bar/0..6bar/PD/1/2"NPTM/US

SMART PRESSURE TRANSMITTER APCE-2000



- ✓ 4...20 mA output signal + HART protocol
- ✓ ATEX Intrinsic safety
- ✓ Accuracy 0.1%
- ✓ Rangeability 100:1
- ✓ Gold plated diaphragm (Au)

Application

The APCE-2000 pressure transmitter is applicable to the measurement of the pressure, underpressure or absolute pressure of gases, vapours and liquids. The active sensing element is a piezoresistant silicon sensor separated from the medium by a diaphragm and by specially selected type of manometric liquid.

PD version

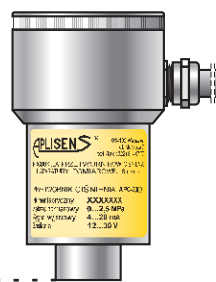
Economical version:

- housing 304ss
- protection IP65
- electrical connection
DIN EN 175301-803
- the electronics encased in a protective silicon gel

APCE-2000PD



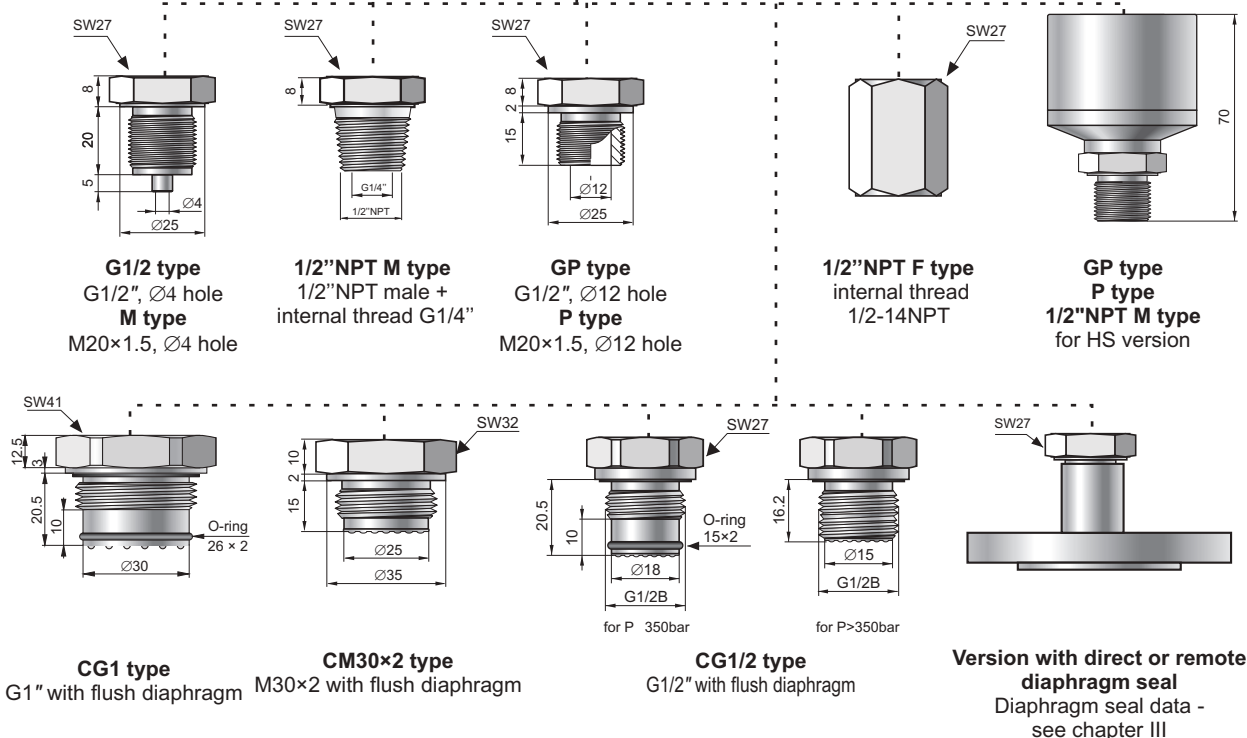
APCE-2000PZ



PZ version

Version designed to work in hard conditions:

- housing material: 304SS
- protection IP66
- the electronics encased in a protective silicon gel
- cup with knurled handgrip



Communication and configuration

The communication standard for data interchange with the transmitter is the Hart protocol. The data interchange with the transmitter enables users to:

Communication with the transmitter is carried out with:

- a KAP-03, KAP-03Ex communicator
- some other Hart type communicators, (*)
- a PC using an HART/USB converter and Raport 2 configuration software.

(*) .eddl files available on www.aplisens.com.

- ◆ identify the transmitter
- ◆ configure the output parameters:
 - measurement units and the values of the start points and end points at the measurement range
 - damping time constant
 - conversion characteristic (inversion, user's non-linear characteristic)
- ◆ read the currently measured pressure value of the output current and the percentage output control level
- ◆ force an output current with a set value
- ◆ calibrate the transmitter in relation to a model pressure

Installation

The transmitter is not heavy, so it can be installed directly on the installation without additional mounting bracket. When the pressure of steam or other hot media is measured, a siphon or impulse line should be used. The needle valve placed upstream the transmitter simplifies installation process and enables the zero point adjustment or the transmitter replacement. When the special process connections are required for the measurement of levels and pressures (e.g. at food and chemical industries), the transmitter is provided with an Aplisens diaphragm seal. Installing accessories and a full scope of diaphragm seals are described in detail in the further part of the catalogue. The transmitter's electrical connections should be performed with twisted cable. The place for the communicator should be assigned before the communicator installation.

Measuring ranges

No.	Nominal measuring range (FSO)	Minimum set range	Rangeability	Overpressure limit (without hysteresis)****
1	0...1000 bar (0...100 MPa)	10 bar (1 MPa)	100:1	1200 bar (120 MPa)
2	0...600 bar (0...60 MPa)	6 bar (600 kPa)	100:1	1200 bar (120 MPa)
3	0...300 bar ** (0...30 MPa)	3 bar (300 kPa)	100:1	450 bar (45 MPa)
4	0...160 bar ** (0...16 MPa)	1,6 bar (160 kPa)	100:1	450 bar (45 MPa)
5	0...70 bar ** (0...7 MPa)	0,7 bar (70 kPa)	100:1	140 bar (14 MPa)
6	-1...70 bar ** (-0,1...7 MPa)	0,71 bar (71 kPa)	100:1	140 bar (14 MPa)
7	0...25 bar ** (0...2,5 MPa)	0,25 bar (25 kPa)	100:1	50 bar (5 MPa)
8	0...7 bar ** (0...0,7 MPa)	0,07 bar (7 kPa)	100:1	14 bar (1,4 MPa)
9	-1...25 bar ** (-0,1...2,5 MPa)	0,26 bar (26 kPa)	100:1	50 bar (5 MPa)
10	-1...7bar ** (-100...700 kPa)	0,08 bar (8 kPa)	100:1	14 bar (1,4 MPa)
11	-1...1,5bar ** (-100...150 kPa)	0,12 bar (12 kPa)	20:1	4 bar (400 kPa)
12	0...2 bar ** (0...200 kPa)	100 mbar (10 kPa)	20:1	4 bar (400 kPa)
13	0...1 bar ** (0...100 kPa)	50 mbar (5 kPa)	20:1	2 bar (200 kPa)
14	-0,5...0,5 bar ** (-50...50 kPa)	50 mbar (5 kPa)	20:1	2 bar (200 kPa)
15	0...0,25 bar ** (0...25 kPa)	25 mbar (2,5 kPa)	10:1	1 bar (100 kPa)
16	-100...100 mbar ** (-10...10 kPa)	20 mbar (2 kPa)	10:1	1 bar (100 kPa)
17	-15...70 mbar **/*** (-1,5...7 kPa)	5 mbar (0,5 kPa)	17:1	0,5 bar (50 kPa)
18	-25...25 mbar **/*** (-2,5...2,5 kPa)	2 mbar (0,2 kPa)	25:1	0,5 bar (50 kPa)
19	-7...7 mbar **/*** (-0,7...0,7 kPa)	1 mbar (0,1 kPa)	14:1	0,5 bar (50 kPa)
20	0...1,3 bar abs (0...130 kPa abs)	100 mbar abs (10 kPa abs)	13:1	2 bar (200 kPa)
21	0...7 bar abs (0...0,7 MPa abs)	100 mbar abs (10 kPa abs)	70:1	14 bar (1,4 MPa)
22	0...25 bar abs (0...2,5 MPa abs)	0,25 bar abs (25 kPa abs)	100:1	50 bar (5 MPa)
23	0...70 bar abs (0...7 MPa abs)	0,7 bar abs (70 kPa abs)	100:1	140 bar (14 MPa)
24	0...300 bar abs (0...30 MPa abs)	3 bar abs (300 kPa abs)	100:1	450 bar (45 MPa)

* transmitters not available with diaphragm seal

*** transmitters available only in HS version

** transmitters available in HS version

**** overpressure limit can be different for version according to PED norm No. 97/23/EC

Technical data

Metrological parameters

Accuracy	≤ ±0,1% of the calibrated range
Long-term stability (for the nominal measuring range)	≤ accuracy for 3 years or ≤ 2 x accuracy for 5 years HS version: ≤ accuracy for 6 years or ≤ 2 x accuracy for 10 years
Thermal error	< ±0,08% (FSO) / 10°C 0,1% for ranges no. 16+19 max. ±0,25% (FSO) in the whole compensation range (0,4% for ranges 16+19)
Thermal compensation range	-25...80°C Special version: -40...80°C
Response time	16...230ms (programmable)
Additional electronic damping	0...60 s
Error due to supply voltage changes	0,002% (FSO) / V

Electrical parameters

Power supply	7,5...55 VDC (Ex ia 7,5...30 VDC)
Output signal	4...20 mA + HART
Loadresistance	$R[\Omega] \leq \frac{U_{sup}[V] - 7,5V}{0,0225A}$
Resistance required for communication	min. 240 Ω

Materials

Wetted parts and diaphragms:	SS316L, Hastelloy C 276, Au
Casing:	SS304

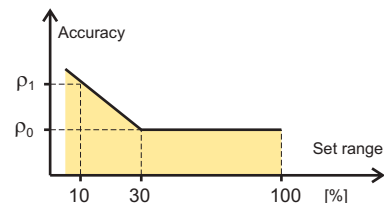
Operating conditions

Operating temperature range (ambient temp.)	-40...85°C
	Ex version -40...80°C
Medium temperature range	-40...120°C

over 120°C – measurement with use an impulse line or diaphragm seals
up to 100°C – PED version

CAUTION: the medium must not be allowed to freeze in the impulse line or close to the process connection of the transmitter

Accuracy depending on the set range



ρ_0 – error for range 30...100% FSO

ρ_1 – error for range 10% FSO; $\rho_1 = 2 \times \rho_0$

Numerical error values are given in the technical data under metrological parameters

Ordering procedure

Model	Code	Description																																																		
APCE-2000		Smart pressure transmitter																																																		
Casing, output signal, electrical connection	/PD.....	Housing IP65 with DIN EN 175301-803 connector, without display, output 4-20mA + Hart																																																		
	/PZ.....	304SS housing, IP66, without display, output 4-20mA + Hart packing gland M20x1,5																																																		
Versions, certificates more than one option is available	/Exia.....	II 1/2G Ex ia IIC T4/T5/T6 Ga/Gb II 1D Ex ia IIIC T110°C Da I M1 Ex ia I Ma Exia for HS version available from Q4/2016																																																		
	/PED.....	European Pressure Equipment Directive N° 97/23/EC, category IV not available for transmitters with Hastelloy C 276 wetted parts																																																		
	/HS.....	Ultra stable version (only ranges no. 3+19, process connections: P, GP and 1/2"NPTM)																																																		
	/Tlen.....	For oxygen service (sensor filled with Fluorolube fluid), only G1/2" connection																																																		
	/-40...80°C.....	Extended thermal compensation range -40 + 80°C																																																		
Nominal measuring range	/0+1000 bar.....	<table border="1" style="width: 100%; border-collapse: collapse;"> <thead> <tr> <th style="text-align: center;">Range</th> <th style="text-align: center;">Min. set range</th> </tr> </thead> <tbody> <tr> <td>0+1000 bar (0+100 MPa)</td> <td>10 bar (1 MPa)</td> </tr> <tr> <td>0+600 bar (0+60 MPa)</td> <td>6 bar (600 kPa)</td> </tr> <tr> <td>0+300 bar (0+30 MPa)</td> <td>3 bar (300 kPa)</td> </tr> <tr> <td>0+160 bar (0+16 MPa)</td> <td>1,6 bar (160 kPa)</td> </tr> <tr> <td>0+70 bar (0+7 MPa)</td> <td>0,7 bar (70 kPa)</td> </tr> <tr> <td>-1+70 bar (-0,1+7 MPa)</td> <td>0,71 bar (71 kPa)</td> </tr> <tr> <td>0+25 bar (0+2,5 MPa)</td> <td>0,25 bar (25 kPa)</td> </tr> <tr> <td>-1+25 bar (-0,1+2,5 MPa)</td> <td>0,26 bar (26 kPa)</td> </tr> <tr> <td>0+7 bar (0+700 kPa)</td> <td>0,07 bar (7 kPa)</td> </tr> <tr> <td>-1+7 bar (-100+700 kPa)</td> <td>0,07 bar (7 kPa)</td> </tr> <tr> <td>-1+1,5 bar (-100+150 kPa)</td> <td>120 mbar (12 kPa)</td> </tr> <tr> <td>0+2 bar (0+200 kPa)</td> <td>100 mbar (10 kPa)</td> </tr> <tr> <td>0+1 bar (0+100 kPa)</td> <td>50 mbar (5 kPa)</td> </tr> <tr> <td>-0,5+0,5 bar (-50+50k Pa)</td> <td>50 mbar (5 kPa)</td> </tr> <tr> <td>0+0,25 bar (0+25 kPa)</td> <td>25 mbar (2,5 kPa)</td> </tr> <tr> <td>-100+100 mbar (-10+10 kPa)</td> <td>20 mbar (2 kPa)</td> </tr> <tr> <td>-15+70 mbar (-1,5+7 kPa)</td> <td>5 mbar (0,5 kPa)</td> </tr> <tr> <td>-25+25 mbar (-2,5+2,5 kPa)</td> <td>2 mbar (0,2 kPa)</td> </tr> <tr> <td>-7+7 mbar (-0,7+0,7 kPa)</td> <td>1 mbar (0,1 kPa)</td> </tr> <tr> <td>0+1,3 bar ABS (0+130 kPa ABS)</td> <td>0,1 bar ABS (10 kPa ABS)</td> </tr> <tr> <td>0+7 bar ABS (0+700 kPa ABS)</td> <td>0,1 bar ABS (10 kPa ABS)</td> </tr> <tr> <td>0+25 bar ABS (0+2,5 MPa ABS)</td> <td>0,25 bar ABS (25 kPa ABS)</td> </tr> <tr> <td>0+70 bar ABS (0+7 MPa ABS)</td> <td>0,7 bar ABS (70 kPa ABS)</td> </tr> <tr> <td>0+300 bar ABS (0+30 MPa ABS)</td> <td>0,3 bar ABS (30 kPa ABS)</td> </tr> </tbody> </table>	Range	Min. set range	0+1000 bar (0+100 MPa)	10 bar (1 MPa)	0+600 bar (0+60 MPa)	6 bar (600 kPa)	0+300 bar (0+30 MPa)	3 bar (300 kPa)	0+160 bar (0+16 MPa)	1,6 bar (160 kPa)	0+70 bar (0+7 MPa)	0,7 bar (70 kPa)	-1+70 bar (-0,1+7 MPa)	0,71 bar (71 kPa)	0+25 bar (0+2,5 MPa)	0,25 bar (25 kPa)	-1+25 bar (-0,1+2,5 MPa)	0,26 bar (26 kPa)	0+7 bar (0+700 kPa)	0,07 bar (7 kPa)	-1+7 bar (-100+700 kPa)	0,07 bar (7 kPa)	-1+1,5 bar (-100+150 kPa)	120 mbar (12 kPa)	0+2 bar (0+200 kPa)	100 mbar (10 kPa)	0+1 bar (0+100 kPa)	50 mbar (5 kPa)	-0,5+0,5 bar (-50+50k Pa)	50 mbar (5 kPa)	0+0,25 bar (0+25 kPa)	25 mbar (2,5 kPa)	-100+100 mbar (-10+10 kPa)	20 mbar (2 kPa)	-15+70 mbar (-1,5+7 kPa)	5 mbar (0,5 kPa)	-25+25 mbar (-2,5+2,5 kPa)	2 mbar (0,2 kPa)	-7+7 mbar (-0,7+0,7 kPa)	1 mbar (0,1 kPa)	0+1,3 bar ABS (0+130 kPa ABS)	0,1 bar ABS (10 kPa ABS)	0+7 bar ABS (0+700 kPa ABS)	0,1 bar ABS (10 kPa ABS)	0+25 bar ABS (0+2,5 MPa ABS)	0,25 bar ABS (25 kPa ABS)	0+70 bar ABS (0+7 MPa ABS)	0,7 bar ABS (70 kPa ABS)	0+300 bar ABS (0+30 MPa ABS)	0,3 bar ABS (30 kPa ABS)
	Range	Min. set range																																																		
	0+1000 bar (0+100 MPa)	10 bar (1 MPa)																																																		
	0+600 bar (0+60 MPa)	6 bar (600 kPa)																																																		
	0+300 bar (0+30 MPa)	3 bar (300 kPa)																																																		
	0+160 bar (0+16 MPa)	1,6 bar (160 kPa)																																																		
	0+70 bar (0+7 MPa)	0,7 bar (70 kPa)																																																		
	-1+70 bar (-0,1+7 MPa)	0,71 bar (71 kPa)																																																		
	0+25 bar (0+2,5 MPa)	0,25 bar (25 kPa)																																																		
	-1+25 bar (-0,1+2,5 MPa)	0,26 bar (26 kPa)																																																		
	0+7 bar (0+700 kPa)	0,07 bar (7 kPa)																																																		
	-1+7 bar (-100+700 kPa)	0,07 bar (7 kPa)																																																		
	-1+1,5 bar (-100+150 kPa)	120 mbar (12 kPa)																																																		
	0+2 bar (0+200 kPa)	100 mbar (10 kPa)																																																		
	0+1 bar (0+100 kPa)	50 mbar (5 kPa)																																																		
	-0,5+0,5 bar (-50+50k Pa)	50 mbar (5 kPa)																																																		
	0+0,25 bar (0+25 kPa)	25 mbar (2,5 kPa)																																																		
-100+100 mbar (-10+10 kPa)	20 mbar (2 kPa)																																																			
-15+70 mbar (-1,5+7 kPa)	5 mbar (0,5 kPa)																																																			
-25+25 mbar (-2,5+2,5 kPa)	2 mbar (0,2 kPa)																																																			
-7+7 mbar (-0,7+0,7 kPa)	1 mbar (0,1 kPa)																																																			
0+1,3 bar ABS (0+130 kPa ABS)	0,1 bar ABS (10 kPa ABS)																																																			
0+7 bar ABS (0+700 kPa ABS)	0,1 bar ABS (10 kPa ABS)																																																			
0+25 bar ABS (0+2,5 MPa ABS)	0,25 bar ABS (25 kPa ABS)																																																			
0+70 bar ABS (0+7 MPa ABS)	0,7 bar ABS (70 kPa ABS)																																																			
0+300 bar ABS (0+30 MPa ABS)	0,3 bar ABS (30 kPa ABS)																																																			
Measuring set range	/...+... [required units]	Calibrated range in relation to 4mA and 20mA output																																																		
Process connections	/M.....	Thread M20x1,5 (male) with Ø4 hole, wetted parts SS316L																																																		
	/G1/2.....	Thread G1/2" (male) with Ø4 hole, wetted parts SS316L																																																		
	/G1/2(Au).....	Thread G1/2" (male) with Ø4 hole, gold plated diaphragm (range no. 1, 2, 3, 4, 5)																																																		
	/P.....	Thread M20x1,5 (male) with Ø12 hole, wetted parts SS316L																																																		
	/GP.....	Thread G1/2" (male) with Ø12 hole, wetted parts SS316L																																																		
	/GP(Hastelloy).....	Thread G1/2" (male) with Ø12 hole, wetted parts Hastelloy C 276																																																		
	/CM30x2.....	Thread M30x2 with flush diaphragm, wetted parts SS316L (Pressure limits: min. 0,1bar / max. 70bar)																																																		
	/CM30x2(Hastelloy).....	Thread M30x2 with flush diaphragm, wetted parts Hastelloy C 276 (Pressure limits: min. 0,1bar / max. 70bar)																																																		
	/CG1".....	Thread G1" with flush diaphragm, wetted parts SS316L (Pressure limits: min. 0,1bar / max. 70bar)																																																		
	/CG1"(Hastelloy).....	Thread G1" with flush diaphragm, wetted parts Hastelloy C 276 (Pressure limits: min. 0,1bar / max. 70bar)																																																		
	/CG1/2".....	Thread G1/2" with flush diaphragm, wetted parts SS316L (Pressure limits: min. 2,5bar)																																																		
/1/2"NPTM.....	Thread 1/2"NPT Male, G1/4" Female, wetted parts SS316L (Pressure limits: 1/2"NPT Male max. 690bar, G1/4" Female max. 1000bar)																																																			
/1/2"NPTF.....	Thread M20x1,5 with adapter to 1/2"NPT Female, wetted parts SS316L (Pressure limits: max. 690bar)																																																			
/code of diaphragm seal.....	Diaphragm seal (see chapter of diaphragm seals)																																																			
Other specification	/.....	Description of required parameters (e.g. non-standard pr/ connection G3/4", M22x1,5)																																																		

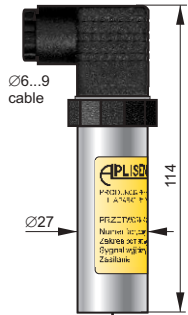
Example : Pressure transmitter , output 4..20mA + HART, version Exia, nominal measuring range 0..7bar, calibrated range 0..6bar, process connection G1/2", electrical connection DIN EN 175301-803 connector.

APCE-2000PD/Exia/0..7bar/0..6bar/G1/2"

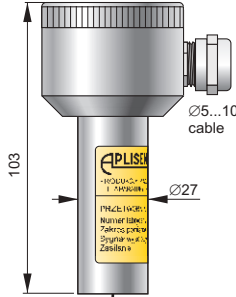
SMART PRESSURE TRANSMITTER PCE-28.SMART



- ✓ 4...20 mA output signal + HART protocol
- ✓ Intrinsic safety certificate (ATEX, IECEx)
- ✓ Accuracy 0.1%
- ✓ Marine certificate – DNV, BV



PD type
IP65



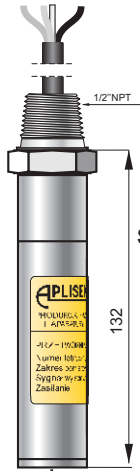
PZ type
PZ316 type
IP66



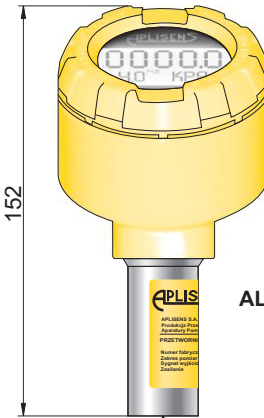
PM12 type
IP67 or IP68



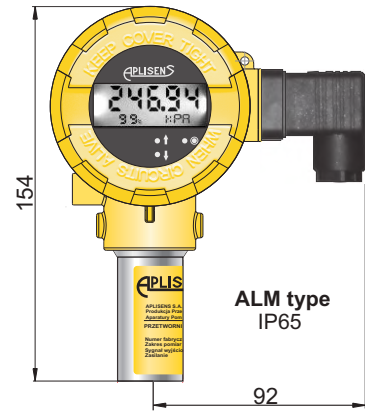
SG type
IP68



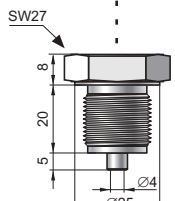
SGM type
IP68



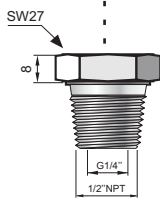
ALW type
IP65



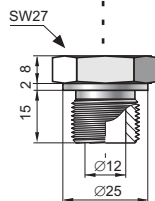
ALM type
IP65



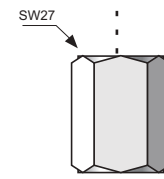
G1/2 type
G1/2", Ø4 hole
M type
M20×1.5, Ø4 hole



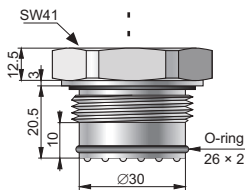
1/2"NPT type
1/2"NPT male +
internal thread G1/4"



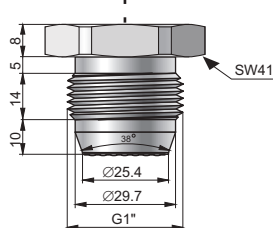
GP type
G1/2", Ø12 hole
P type
M20×1.5, Ø12 hole



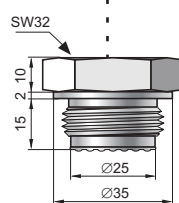
1/2"NPT F type
internal thread 1/2-14NPT
1/4"NPT F type
internal thread 1/4-18NPT



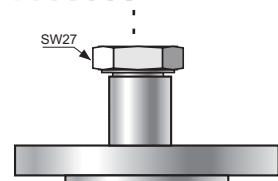
CG1 type
G1" with flush
diaphragm



CG1-S38 type
G1" with flush
diaphragm



CM30×2 type
M30×2 with flush
diaphragm



**Version with direct or remote
diaphragm seal**
Diaphragm seal data -
see chapter III

Application

PCE-28.SMART pressure transmitter is applicable to the measurement of the pressure, underpressure and absolute pressure of gases, vapours and liquids. The active sensing element is a piezoresistant silicon sensor separated from the medium by a diaphragm and by specially selected type of manometric liquid.

Communication

The communication standard for data interchange with the transmitter is the Hart protocol.

Communication with the transmitter is carried out with:

- a KAP-03, KAP-03Ex communicator
- some other Hart type communicators, (*)
- a PC using an HART/USB converter and Raport 2 configuration software.

(*) .eddl files available on www.aplisens.com.

The data interchange with the transmitter enables users to:

- ◆ identify the transmitter
- ◆ configure the output parameters:
 - measurement units and the values of the start points and end points at the measurement range
 - damping time constant
 - conversion characteristic (inversion, user's non-linear characteristic)
- ◆ read the currently measured pressure value of the output current and the percentage output control level
- ◆ force an output current with a set value
- ◆ calibrate the transmitter in relation to a model pressure

Installation

The transmitter is not heavy, so it can be installed on the installation without additional mounting bracket. When the pressure of steam or other hot media is measured, a siphon or impulse line should be used. The needle valve placed upstream the transmitter simplifies installation process and enables the zero point adjustment or the transmitter replacement. The transmitter's electrical connections should be performed with twisted cable. The place for the communicator should be assigned before the communicator installation.

Measuring ranges

No.	Nominal measuring range (FSO)	Minimum set range	Rangeability	Overpressure limit (without hysteresis)***
1	0...1000 bar (0...100 MPa)	10 bar (1 MPa)	100:1	1200 bar (120 MPa)
2	0...600 bar (0...60 MPa)	6 bar (600 kPa)	100:1	1200 bar (120 MPa)
3	0...300 bar (0...30 MPa)	3 bar (300 kPa)	100:1	450 bar (45 MPa)
4	0...160 bar (0...16 MPa)	1,6 bar (160 kPa)	100:1	450 bar (45 MPa)
5	0...70 bar (0...7 MPa)	0,7 bar (70 kPa)	100:1	140 bar (14 MPa)
6	-1...70 bar (-0,1...7 MPa)	0,71 bar (71 kPa)	100:1	140 bar (14 MPa)
7	0...25 bar (0...2,5 MPa)	0,25 bar (25 kPa)	100:1	50 bar (5 MPa)
8	-1...25 bar (-0,1...2,5 MPa)	0,26 bar (26 kPa)	100:1	50 bar (5 MPa)
9	0...7 bar (0...0,7 MPa)	0,07 bar (7 kPa)	100:1	14 bar (1,4 MPa)
10	-1...7bar (-100...700 kPa)	0,07 bar (7 kPa)	114:1	14 bar (1,4 MPa)
11	-1...1,5bar (-100...150 kPa)	0,12 bar (12 kPa)	20:1	4 bar (400 kPa)
12	0...2 bar (0...200 kPa)	100 mbar (10 kPa)	20:1	4 bar (400 kPa)
13	0...1 bar (0...100 kPa)	50 mbar (5 kPa)	20:1	2 bar (200 kPa)
14	-0,5...0,5 bar (-50...50 kPa)	50 mbar (5 kPa)	20:1	2 bar (200 kPa)
15	0...0,25 bar (0...25 kPa)	25 mbar (2,5 kPa)	10:1	1 bar (100 kPa)
16	-100...100 mbar (-10...10 kPa)	20 mbar (2 kPa)	10:1	1 bar (100 kPa)
17	-15...70 mbar * (-1,5...7 kPa)	5 mbar (0,5 kPa)	17:1	0,5 bar (50 kPa)
18	0...1,3 bar abs (0...130 kPa abs)	100 mbar abs (10 kPa abs)	13:1	2 bar (200 kPa)
19	0...7 bar abs (0...0,7 MPa abs)	100 mbar abs (10 kPa abs)	70:1	14 bar (1,4 MPa)
20	0...25 bar abs (0...2,5 MPa abs)	0,25 bar abs (25 kPa abs)	100:1	50 bar (5 MPa)
21	0...70 bar abs (0...7 MPa abs)	0,7 bar abs (70 kPa abs)	100:1	140 bar (14 MPa)
22	0...300 bar abs (0...30 MPa abs)	3 bar abs (300 kPa abs)	100:1	450 bar (45 MPa)

* only for transmitters without diaphragm seal

Technical data

Metrological parameters

Accuracy	≤ ±0,1% of calibrated range
Long-term stability (for the basic range)	≤ accuracy for 3 years
Thermal error	< ±0,08% (FSO) / 10°C (0,1% for ranges no. 16, 17) max. ±0,25% (FSO) in the whole compensation range (0,4% for ranges 16, 17)
Thermal compensation range	-25...80°C -40...80°C – special version
Response time	16..230ms (programmable)
Additional electronic damping	0...30 s
Error due to supply voltage changes	0.002% (FSO) / V

Electrical parameters

Power supply	7,5...55 V DC (Ex 7,5...28 V) ALW and ALM version: 11...36 V DC
Output signal	4...20 mA, two wire transmission

Load resistance

$$R[\Omega] \leq \frac{U_{\text{sup}}[\text{V}] - 7,5\text{V}}{0,0225\text{A}}$$

Resistance required for communication

min. 240Ω

Materials

Wetted parts and diaphragms:	316Lss, Hastelloy C 276, Au
Casing:	304ss Optional: 316ss

Operating conditions

Operating temperature range (ambient temp.)	-40...85°C Ex version -40...80°C
Medium temperature range	-40...120°C

over 120°C – measurement with use an impulse line or diaphragm seals

CAUTION: the medium must not be allowed to freeze in the impulse line or close to the process connection of the transmitter

Ordering procedure

Model	Code	Description																																																																																																																																																		
PCE-28.SMART		Smart pressure transmitter																																																																																																																																																		
Versions, certificates more than one option is available	/Exia.....	<table style="width: 100%; border: none;"> <tr> <td style="width: 30%; border: none;"> <table style="width: 100%; border: none;"> <tr> <td style="border: none;">Ex</td> <td style="border: none;">II 1/2G Ex ia IIC T4/T5/T6 Ga/Gb</td> <td style="border: none;">For PM12, PKD version:</td> </tr> <tr> <td style="border: none;"></td> <td style="border: none;">II 1D Ex ia IIIC T105°C Da</td> <td style="border: none;">Ex II 1/2G Ex ia IIC T4/T5/T6 Ga/Gb</td> </tr> <tr> <td style="border: none;"></td> <td style="border: none;">I M1 Ex ia I Ma</td> <td style="border: none;">IECEX Ex ia IIC T4/T5/T6 Ga/Gb</td> </tr> <tr> <td style="border: none;">IECEX</td> <td style="border: none;">Ex ia IIC T4/T5/T6 Ga/Gb</td> <td style="border: none;">For ALW, ALM version:</td> </tr> <tr> <td style="border: none;"></td> <td style="border: none;">Ex ia IIIC T105°C Da</td> <td style="border: none;">Ex II 1/2G Ex ia IIC T4 Ga/Gb</td> </tr> <tr> <td style="border: none;"></td> <td style="border: none;">Ex ia I Ma</td> <td style="border: none;">II 1D Ex ia IIIC T105°C Da</td> </tr> <tr> <td style="border: none;"></td> <td style="border: none;"></td> <td style="border: none;">IECEX Ex ia IIC T4 Ga/Gb</td> </tr> <tr> <td style="border: none;"></td> <td style="border: none;"></td> <td style="border: none;">Ex ia IIIC T105°C Da</td> </tr> </table> </td> <td style="border: none;"></td> </tr> <tr> <td>/MR.....</td> <td>Marine certificate – DNV, BV (not available in ALW and ALM version)</td> <td></td> </tr> <tr> <td>/Tlen.....</td> <td>For oxygen service (sensor filled with Fluorolube fluid), only G1/2" connection</td> <td></td> </tr> <tr> <td>/-40...+80°C.....</td> <td>Extended thermal compensation range -40 + 80°C</td> <td></td> </tr> <tr> <td rowspan="18">Nominal measuring range</td> <td>/0+1000 bar.....</td> <td> <table style="width: 100%; border: none;"> <tr> <th style="width: 30%; border: none;">Range</th> <th style="width: 40%; border: none;">Min. set range</th> </tr> <tr> <td style="border: none;">0+1000 bar (0+100 MPa)</td> <td style="border: none;">10 bar (1 MPa)</td> </tr> <tr> <td style="border: none;">0+600 bar (0+60 MPa)</td> <td style="border: none;">6 bar (600 kPa)</td> </tr> <tr> <td style="border: none;">0+300 bar (0+30 MPa)</td> <td style="border: none;">3 bar (300 kPa)</td> </tr> <tr> <td style="border: none;">0+160 bar (0+16 MPa)</td> <td style="border: none;">1,6 bar (160 kPa)</td> </tr> <tr> <td style="border: none;">0+70 bar (0+7 MPa)</td> <td style="border: none;">0,7 bar (70 kPa)</td> </tr> <tr> <td style="border: none;">-1+70 bar (-0,1+7 MPa)</td> <td style="border: none;">0,71 bar (71 kPa)</td> </tr> <tr> <td style="border: none;">0+25 bar (0+2,5 MPa)</td> <td style="border: none;">0,25 bar (25 kPa)</td> </tr> <tr> <td style="border: none;">-1+25 bar (-0,1+2,5 MPa)</td> <td style="border: none;">0,26 bar (26 kPa)</td> </tr> <tr> <td style="border: none;">0+7 bar (0+700 kPa)</td> <td style="border: none;">0,07 bar (7 kPa)</td> </tr> <tr> <td style="border: none;">-1+7 bar (-100+700 kPa)</td> <td style="border: none;">0,07 bar (7 kPa)</td> </tr> <tr> <td style="border: none;">-1+1,5 bar (-100+150 kPa)</td> <td style="border: none;">120 mbar (12 kPa)</td> </tr> <tr> <td style="border: none;">0+2 bar (0+200 kPa)</td> <td style="border: none;">100 mbar (10 kPa)</td> </tr> <tr> <td style="border: none;">0+1 bar (0+100 kPa)</td> <td style="border: none;">50 mbar (5 kPa)</td> </tr> <tr> <td style="border: none;">-0,5+0,5 bar (-50+50k Pa)</td> <td style="border: none;">50 mbar (5 kPa)</td> </tr> <tr> <td style="border: none;">0+0,25 bar (0+25 kPa)</td> <td style="border: none;">25 mbar (2,5 kPa)</td> </tr> <tr> <td style="border: none;">-100+100 mbar (-10+10 kPa)</td> <td style="border: none;">20 mbar (2 kPa)</td> </tr> <tr> <td style="border: none;">-15+70 mbar (-1,5+7 kPa)</td> <td style="border: none;">5 mbar (0,5 kPa)</td> </tr> <tr> <td style="border: none;">0+1,3 bar ABS (0+130 kPa ABS)</td> <td style="border: none;">0,1 bar ABS (10 kPa ABS)</td> </tr> <tr> <td style="border: none;">0+7 bar ABS (0+700 kPa ABS)</td> <td style="border: none;">0,1 bar ABS (10 kPa ABS)</td> </tr> <tr> <td style="border: none;">0+25 bar ABS (0+2,5 MPa ABS)</td> <td style="border: none;">0,25 bar ABS (25 kPa ABS)</td> </tr> <tr> <td style="border: none;">0+70 bar ABS (0+7 MPa ABS)</td> <td style="border: none;">0,7 bar ABS (70 kPa ABS)</td> </tr> <tr> <td style="border: none;">0+300 bar ABS (0+30 MPa ABS)</td> <td style="border: none;">0,3 bar ABS (30 kPa ABS)</td> </tr> </table> </td> <td style="border: none;"></td> </tr> <tr> <td>Measuring set range</td> <td>/...+... [required units]</td> <td>Calibrated range in relation to 4mA and 20mA output</td> </tr> <tr> <td rowspan="8">Casing, electrical connection</td> <td>/PD.....</td> <td>Housing IP65 with DIN EN 175301-803 connector</td> </tr> <tr> <td>/PZ.....</td> <td>304SS housing, IP66, packing gland M20x1,5</td> </tr> <tr> <td>/PZ316.....</td> <td>316SS housing, IP66, packing gland M20x1,5</td> </tr> <tr> <td>/PM12 (IP67).....</td> <td>304SS housing, IP67 with thread M12x1 and connector with cable (3 m in standard)</td> </tr> <tr> <td>/PM12 (IP65).....</td> <td>304SS housing, IP65 with thread M12x1 (without cable)</td> </tr> <tr> <td>/SG.....</td> <td>316LSS housing, IP68, cable electrical connection</td> </tr> <tr> <td>/SGM.....</td> <td>316LSS housing, IP68, cable electrical connection (3 m of cable in standard)</td> </tr> <tr> <td>/ALW *.....</td> <td>Aluminum housing, local display, IP65, DIN43650 connector</td> </tr> <tr> <td>/ALM *.....</td> <td>Aluminum housing, local display, IP65, DIN43650 connector</td> </tr> <tr> <td rowspan="14">Process connections</td> <td>/M.....</td> <td>Thread M20x1,5 (male) with Ø4 hole, wetted parts SS316L</td> </tr> <tr> <td>/G1/2.....</td> <td>Thread G1/2" (male) with Ø4 hole, wetted parts SS316L</td> </tr> <tr> <td>/G1/2(Au).....</td> <td>Thread G1/2" (male) with Ø4 hole, gold plated diaphragm (range no. 1, 2, 3, 4, 5)</td> </tr> <tr> <td>/G1/4.....</td> <td>Thread G1/4" (male), wetted parts SS316L (Pressure limits: min. 10mbar / max. 400bar)</td> </tr> <tr> <td>/P.....</td> <td>Thread M20x1,5 (male) with Ø12 hole, wetted parts SS316L</td> </tr> <tr> <td>/GP.....</td> <td>Thread G1/2" (male) with Ø12 hole, wetted parts SS316L</td> </tr> <tr> <td>/GP(Hastelloy).....</td> <td>Thread G1/2" (male) with Ø12 hole, wetted parts Hastelloy C 276</td> </tr> <tr> <td>/CM30x2.....</td> <td>Thread M30x2 with flush diaphragm, wetted parts SS316L (Pressure limits: min. 0,1bar / max. 70bar)</td> </tr> <tr> <td>/CM30x2(Hastelloy).....</td> <td>Thread M30x2 with flush diaphragm, wetted parts Hastelloy C 276 (Pressure limits: min. 0,1bar / max. 70bar)</td> </tr> <tr> <td>/CG1".....</td> <td>Thread G1" with flush diaphragm, wetted parts SS316L (Pressure limits: min. 0,1bar / max. 70bar)</td> </tr> <tr> <td>/CG1"(Hastelloy).....</td> <td>Thread G1" with flush diaphragm, wetted parts Hastelloy C 276 (Pressure limits: min. 0,1bar / max. 70bar)</td> </tr> <tr> <td>/CG1"-S38.....</td> <td>Thread G1" with flush diaphragm, wetted parts SS316L (Pressure limits: min. 0,1bar / max. 1bar)</td> </tr> <tr> <td>/CG1/2".....</td> <td>Thread G1/2" with flush diaphragm, wetted parts SS316L (Pressure limits: min. 2,5bar)</td> </tr> <tr> <td>/1/2"NPTM.....</td> <td>Thread 1/2"NPT Male, G1/4" Female, wetted parts SS316L (Pressure limits: ½"NPT Male max. 690bar, G1/4" Female max. 1000bar)</td> </tr> <tr> <td>/1/2"NPTF.....</td> <td>Thread M20x1,5 with adapter to 1/2"NPT Female, wetted parts SS316L (Pressure limits: max. 690bar)</td> </tr> <tr> <td>/code of diaphragm seal...</td> <td>Diaphragm seal (see chapter of diaphragm seals)</td> </tr> <tr> <td>Accessories</td> <td>/MT.....</td> <td>Stainless Steel Tag plate mounted on wire</td> </tr> <tr> <td>Other specification</td> <td>/.....</td> <td>Description of required parameters (e.g. non-standard pr. connection G3/4", M22x1,5)</td> </tr> </table>	<table style="width: 100%; border: none;"> <tr> <td style="border: none;">Ex</td> <td style="border: none;">II 1/2G Ex ia IIC T4/T5/T6 Ga/Gb</td> <td style="border: none;">For PM12, PKD version:</td> </tr> <tr> <td style="border: none;"></td> <td style="border: none;">II 1D Ex ia IIIC T105°C Da</td> <td style="border: none;">Ex II 1/2G Ex ia IIC T4/T5/T6 Ga/Gb</td> </tr> <tr> <td style="border: none;"></td> <td style="border: none;">I M1 Ex ia I Ma</td> <td style="border: none;">IECEX Ex ia IIC T4/T5/T6 Ga/Gb</td> </tr> <tr> <td style="border: none;">IECEX</td> <td style="border: none;">Ex ia IIC T4/T5/T6 Ga/Gb</td> <td style="border: none;">For ALW, ALM version:</td> </tr> <tr> <td style="border: none;"></td> <td style="border: none;">Ex ia IIIC T105°C Da</td> <td style="border: none;">Ex II 1/2G Ex ia IIC T4 Ga/Gb</td> </tr> <tr> <td style="border: none;"></td> <td style="border: none;">Ex ia I Ma</td> <td style="border: none;">II 1D Ex ia IIIC T105°C Da</td> </tr> <tr> <td style="border: none;"></td> <td style="border: none;"></td> <td style="border: none;">IECEX Ex ia IIC T4 Ga/Gb</td> </tr> <tr> <td style="border: none;"></td> <td style="border: none;"></td> <td style="border: none;">Ex ia IIIC T105°C Da</td> </tr> </table>	Ex	II 1/2G Ex ia IIC T4/T5/T6 Ga/Gb	For PM12, PKD version:		II 1D Ex ia IIIC T105°C Da	Ex II 1/2G Ex ia IIC T4/T5/T6 Ga/Gb		I M1 Ex ia I Ma	IECEX Ex ia IIC T4/T5/T6 Ga/Gb	IECEX	Ex ia IIC T4/T5/T6 Ga/Gb	For ALW, ALM version:		Ex ia IIIC T105°C Da	Ex II 1/2G Ex ia IIC T4 Ga/Gb		Ex ia I Ma	II 1D Ex ia IIIC T105°C Da			IECEX Ex ia IIC T4 Ga/Gb			Ex ia IIIC T105°C Da		/MR.....	Marine certificate – DNV, BV (not available in ALW and ALM version)		/Tlen.....	For oxygen service (sensor filled with Fluorolube fluid), only G1/2" connection		/-40...+80°C.....	Extended thermal compensation range -40 + 80°C		Nominal measuring range	/0+1000 bar.....	<table style="width: 100%; border: none;"> <tr> <th style="width: 30%; border: none;">Range</th> <th style="width: 40%; border: none;">Min. set range</th> </tr> <tr> <td style="border: none;">0+1000 bar (0+100 MPa)</td> <td style="border: none;">10 bar (1 MPa)</td> </tr> <tr> <td style="border: none;">0+600 bar (0+60 MPa)</td> <td style="border: none;">6 bar (600 kPa)</td> </tr> <tr> <td style="border: none;">0+300 bar (0+30 MPa)</td> <td style="border: none;">3 bar (300 kPa)</td> </tr> <tr> <td style="border: none;">0+160 bar (0+16 MPa)</td> <td style="border: none;">1,6 bar (160 kPa)</td> </tr> <tr> <td style="border: none;">0+70 bar (0+7 MPa)</td> <td style="border: none;">0,7 bar (70 kPa)</td> </tr> <tr> <td style="border: none;">-1+70 bar (-0,1+7 MPa)</td> <td style="border: none;">0,71 bar (71 kPa)</td> </tr> <tr> <td style="border: none;">0+25 bar (0+2,5 MPa)</td> <td style="border: none;">0,25 bar (25 kPa)</td> </tr> <tr> <td style="border: none;">-1+25 bar (-0,1+2,5 MPa)</td> <td style="border: none;">0,26 bar (26 kPa)</td> </tr> <tr> <td style="border: none;">0+7 bar (0+700 kPa)</td> <td style="border: none;">0,07 bar (7 kPa)</td> </tr> <tr> <td style="border: none;">-1+7 bar (-100+700 kPa)</td> <td style="border: none;">0,07 bar (7 kPa)</td> </tr> <tr> <td style="border: none;">-1+1,5 bar (-100+150 kPa)</td> <td style="border: none;">120 mbar (12 kPa)</td> </tr> <tr> <td style="border: none;">0+2 bar (0+200 kPa)</td> <td style="border: none;">100 mbar (10 kPa)</td> </tr> <tr> <td style="border: none;">0+1 bar (0+100 kPa)</td> <td style="border: none;">50 mbar (5 kPa)</td> </tr> <tr> <td style="border: none;">-0,5+0,5 bar (-50+50k Pa)</td> <td style="border: none;">50 mbar (5 kPa)</td> </tr> <tr> <td style="border: none;">0+0,25 bar (0+25 kPa)</td> <td style="border: none;">25 mbar (2,5 kPa)</td> </tr> <tr> <td style="border: none;">-100+100 mbar (-10+10 kPa)</td> <td style="border: none;">20 mbar (2 kPa)</td> </tr> <tr> <td style="border: none;">-15+70 mbar (-1,5+7 kPa)</td> <td style="border: none;">5 mbar (0,5 kPa)</td> </tr> <tr> <td style="border: none;">0+1,3 bar ABS (0+130 kPa ABS)</td> <td style="border: none;">0,1 bar ABS (10 kPa ABS)</td> </tr> <tr> <td style="border: none;">0+7 bar ABS (0+700 kPa ABS)</td> <td style="border: none;">0,1 bar ABS (10 kPa ABS)</td> </tr> <tr> <td style="border: none;">0+25 bar ABS (0+2,5 MPa ABS)</td> <td style="border: none;">0,25 bar ABS (25 kPa ABS)</td> </tr> <tr> <td style="border: none;">0+70 bar ABS (0+7 MPa ABS)</td> <td style="border: none;">0,7 bar ABS (70 kPa ABS)</td> </tr> <tr> <td style="border: none;">0+300 bar ABS (0+30 MPa ABS)</td> <td style="border: none;">0,3 bar ABS (30 kPa ABS)</td> </tr> </table>	Range	Min. set range	0+1000 bar (0+100 MPa)	10 bar (1 MPa)	0+600 bar (0+60 MPa)	6 bar (600 kPa)	0+300 bar (0+30 MPa)	3 bar (300 kPa)	0+160 bar (0+16 MPa)	1,6 bar (160 kPa)	0+70 bar (0+7 MPa)	0,7 bar (70 kPa)	-1+70 bar (-0,1+7 MPa)	0,71 bar (71 kPa)	0+25 bar (0+2,5 MPa)	0,25 bar (25 kPa)	-1+25 bar (-0,1+2,5 MPa)	0,26 bar (26 kPa)	0+7 bar (0+700 kPa)	0,07 bar (7 kPa)	-1+7 bar (-100+700 kPa)	0,07 bar (7 kPa)	-1+1,5 bar (-100+150 kPa)	120 mbar (12 kPa)	0+2 bar (0+200 kPa)	100 mbar (10 kPa)	0+1 bar (0+100 kPa)	50 mbar (5 kPa)	-0,5+0,5 bar (-50+50k Pa)	50 mbar (5 kPa)	0+0,25 bar (0+25 kPa)	25 mbar (2,5 kPa)	-100+100 mbar (-10+10 kPa)	20 mbar (2 kPa)	-15+70 mbar (-1,5+7 kPa)	5 mbar (0,5 kPa)	0+1,3 bar ABS (0+130 kPa ABS)	0,1 bar ABS (10 kPa ABS)	0+7 bar ABS (0+700 kPa ABS)	0,1 bar ABS (10 kPa ABS)	0+25 bar ABS (0+2,5 MPa ABS)	0,25 bar ABS (25 kPa ABS)	0+70 bar ABS (0+7 MPa ABS)	0,7 bar ABS (70 kPa ABS)	0+300 bar ABS (0+30 MPa ABS)	0,3 bar ABS (30 kPa ABS)		Measuring set range	/...+... [required units]	Calibrated range in relation to 4mA and 20mA output	Casing, electrical connection	/PD.....	Housing IP65 with DIN EN 175301-803 connector	/PZ.....	304SS housing, IP66, packing gland M20x1,5	/PZ316.....	316SS housing, IP66, packing gland M20x1,5	/PM12 (IP67).....	304SS housing, IP67 with thread M12x1 and connector with cable (3 m in standard)	/PM12 (IP65).....	304SS housing, IP65 with thread M12x1 (without cable)	/SG.....	316LSS housing, IP68, cable electrical connection	/SGM.....	316LSS housing, IP68, cable electrical connection (3 m of cable in standard)	/ALW *.....	Aluminum housing, local display, IP65, DIN43650 connector	/ALM *.....	Aluminum housing, local display, IP65, DIN43650 connector	Process connections	/M.....	Thread M20x1,5 (male) with Ø4 hole, wetted parts SS316L	/G1/2.....	Thread G1/2" (male) with Ø4 hole, wetted parts SS316L	/G1/2(Au).....	Thread G1/2" (male) with Ø4 hole, gold plated diaphragm (range no. 1, 2, 3, 4, 5)	/G1/4.....	Thread G1/4" (male), wetted parts SS316L (Pressure limits: min. 10mbar / max. 400bar)	/P.....	Thread M20x1,5 (male) with Ø12 hole, wetted parts SS316L	/GP.....	Thread G1/2" (male) with Ø12 hole, wetted parts SS316L	/GP(Hastelloy).....	Thread G1/2" (male) with Ø12 hole, wetted parts Hastelloy C 276	/CM30x2.....	Thread M30x2 with flush diaphragm, wetted parts SS316L (Pressure limits: min. 0,1bar / max. 70bar)	/CM30x2(Hastelloy).....	Thread M30x2 with flush diaphragm, wetted parts Hastelloy C 276 (Pressure limits: min. 0,1bar / max. 70bar)	/CG1".....	Thread G1" with flush diaphragm, wetted parts SS316L (Pressure limits: min. 0,1bar / max. 70bar)	/CG1"(Hastelloy).....	Thread G1" with flush diaphragm, wetted parts Hastelloy C 276 (Pressure limits: min. 0,1bar / max. 70bar)	/CG1"-S38.....	Thread G1" with flush diaphragm, wetted parts SS316L (Pressure limits: min. 0,1bar / max. 1bar)	/CG1/2".....	Thread G1/2" with flush diaphragm, wetted parts SS316L (Pressure limits: min. 2,5bar)	/1/2"NPTM.....	Thread 1/2"NPT Male, G1/4" Female, wetted parts SS316L (Pressure limits: ½"NPT Male max. 690bar, G1/4" Female max. 1000bar)	/1/2"NPTF.....	Thread M20x1,5 with adapter to 1/2"NPT Female, wetted parts SS316L (Pressure limits: max. 690bar)	/code of diaphragm seal...	Diaphragm seal (see chapter of diaphragm seals)	Accessories	/MT.....	Stainless Steel Tag plate mounted on wire	Other specification	/.....	Description of required parameters (e.g. non-standard pr. connection G3/4", M22x1,5)
	<table style="width: 100%; border: none;"> <tr> <td style="border: none;">Ex</td> <td style="border: none;">II 1/2G Ex ia IIC T4/T5/T6 Ga/Gb</td> <td style="border: none;">For PM12, PKD version:</td> </tr> <tr> <td style="border: none;"></td> <td style="border: none;">II 1D Ex ia IIIC T105°C Da</td> <td style="border: none;">Ex II 1/2G Ex ia IIC T4/T5/T6 Ga/Gb</td> </tr> <tr> <td style="border: none;"></td> <td style="border: none;">I M1 Ex ia I Ma</td> <td style="border: none;">IECEX Ex ia IIC T4/T5/T6 Ga/Gb</td> </tr> <tr> <td style="border: none;">IECEX</td> <td style="border: none;">Ex ia IIC T4/T5/T6 Ga/Gb</td> <td style="border: none;">For ALW, ALM version:</td> </tr> <tr> <td style="border: none;"></td> <td style="border: none;">Ex ia IIIC T105°C Da</td> <td style="border: none;">Ex II 1/2G Ex ia IIC T4 Ga/Gb</td> </tr> <tr> <td style="border: none;"></td> <td style="border: none;">Ex ia I Ma</td> <td style="border: none;">II 1D Ex ia IIIC T105°C Da</td> </tr> <tr> <td style="border: none;"></td> <td style="border: none;"></td> <td style="border: none;">IECEX Ex ia IIC T4 Ga/Gb</td> </tr> <tr> <td style="border: none;"></td> <td style="border: none;"></td> <td style="border: none;">Ex ia IIIC T105°C Da</td> </tr> </table>		Ex	II 1/2G Ex ia IIC T4/T5/T6 Ga/Gb	For PM12, PKD version:		II 1D Ex ia IIIC T105°C Da	Ex II 1/2G Ex ia IIC T4/T5/T6 Ga/Gb		I M1 Ex ia I Ma	IECEX Ex ia IIC T4/T5/T6 Ga/Gb	IECEX	Ex ia IIC T4/T5/T6 Ga/Gb	For ALW, ALM version:		Ex ia IIIC T105°C Da	Ex II 1/2G Ex ia IIC T4 Ga/Gb		Ex ia I Ma	II 1D Ex ia IIIC T105°C Da			IECEX Ex ia IIC T4 Ga/Gb			Ex ia IIIC T105°C Da																																																																																																																										
	Ex		II 1/2G Ex ia IIC T4/T5/T6 Ga/Gb	For PM12, PKD version:																																																																																																																																																
			II 1D Ex ia IIIC T105°C Da	Ex II 1/2G Ex ia IIC T4/T5/T6 Ga/Gb																																																																																																																																																
	I M1 Ex ia I Ma	IECEX Ex ia IIC T4/T5/T6 Ga/Gb																																																																																																																																																		
IECEX	Ex ia IIC T4/T5/T6 Ga/Gb	For ALW, ALM version:																																																																																																																																																		
	Ex ia IIIC T105°C Da	Ex II 1/2G Ex ia IIC T4 Ga/Gb																																																																																																																																																		
	Ex ia I Ma	II 1D Ex ia IIIC T105°C Da																																																																																																																																																		
		IECEX Ex ia IIC T4 Ga/Gb																																																																																																																																																		
		Ex ia IIIC T105°C Da																																																																																																																																																		
/MR.....	Marine certificate – DNV, BV (not available in ALW and ALM version)																																																																																																																																																			
/Tlen.....	For oxygen service (sensor filled with Fluorolube fluid), only G1/2" connection																																																																																																																																																			
/-40...+80°C.....	Extended thermal compensation range -40 + 80°C																																																																																																																																																			
Nominal measuring range	/0+1000 bar.....	<table style="width: 100%; border: none;"> <tr> <th style="width: 30%; border: none;">Range</th> <th style="width: 40%; border: none;">Min. set range</th> </tr> <tr> <td style="border: none;">0+1000 bar (0+100 MPa)</td> <td style="border: none;">10 bar (1 MPa)</td> </tr> <tr> <td style="border: none;">0+600 bar (0+60 MPa)</td> <td style="border: none;">6 bar (600 kPa)</td> </tr> <tr> <td style="border: none;">0+300 bar (0+30 MPa)</td> <td style="border: none;">3 bar (300 kPa)</td> </tr> <tr> <td style="border: none;">0+160 bar (0+16 MPa)</td> <td style="border: none;">1,6 bar (160 kPa)</td> </tr> <tr> <td style="border: none;">0+70 bar (0+7 MPa)</td> <td style="border: none;">0,7 bar (70 kPa)</td> </tr> <tr> <td style="border: none;">-1+70 bar (-0,1+7 MPa)</td> <td style="border: none;">0,71 bar (71 kPa)</td> </tr> <tr> <td style="border: none;">0+25 bar (0+2,5 MPa)</td> <td style="border: none;">0,25 bar (25 kPa)</td> </tr> <tr> <td style="border: none;">-1+25 bar (-0,1+2,5 MPa)</td> <td style="border: none;">0,26 bar (26 kPa)</td> </tr> <tr> <td style="border: none;">0+7 bar (0+700 kPa)</td> <td style="border: none;">0,07 bar (7 kPa)</td> </tr> <tr> <td style="border: none;">-1+7 bar (-100+700 kPa)</td> <td style="border: none;">0,07 bar (7 kPa)</td> </tr> <tr> <td style="border: none;">-1+1,5 bar (-100+150 kPa)</td> <td style="border: none;">120 mbar (12 kPa)</td> </tr> <tr> <td style="border: none;">0+2 bar (0+200 kPa)</td> <td style="border: none;">100 mbar (10 kPa)</td> </tr> <tr> <td style="border: none;">0+1 bar (0+100 kPa)</td> <td style="border: none;">50 mbar (5 kPa)</td> </tr> <tr> <td style="border: none;">-0,5+0,5 bar (-50+50k Pa)</td> <td style="border: none;">50 mbar (5 kPa)</td> </tr> <tr> <td style="border: none;">0+0,25 bar (0+25 kPa)</td> <td style="border: none;">25 mbar (2,5 kPa)</td> </tr> <tr> <td style="border: none;">-100+100 mbar (-10+10 kPa)</td> <td style="border: none;">20 mbar (2 kPa)</td> </tr> <tr> <td style="border: none;">-15+70 mbar (-1,5+7 kPa)</td> <td style="border: none;">5 mbar (0,5 kPa)</td> </tr> <tr> <td style="border: none;">0+1,3 bar ABS (0+130 kPa ABS)</td> <td style="border: none;">0,1 bar ABS (10 kPa ABS)</td> </tr> <tr> <td style="border: none;">0+7 bar ABS (0+700 kPa ABS)</td> <td style="border: none;">0,1 bar ABS (10 kPa ABS)</td> </tr> <tr> <td style="border: none;">0+25 bar ABS (0+2,5 MPa ABS)</td> <td style="border: none;">0,25 bar ABS (25 kPa ABS)</td> </tr> <tr> <td style="border: none;">0+70 bar ABS (0+7 MPa ABS)</td> <td style="border: none;">0,7 bar ABS (70 kPa ABS)</td> </tr> <tr> <td style="border: none;">0+300 bar ABS (0+30 MPa ABS)</td> <td style="border: none;">0,3 bar ABS (30 kPa ABS)</td> </tr> </table>	Range	Min. set range	0+1000 bar (0+100 MPa)	10 bar (1 MPa)	0+600 bar (0+60 MPa)	6 bar (600 kPa)	0+300 bar (0+30 MPa)	3 bar (300 kPa)	0+160 bar (0+16 MPa)	1,6 bar (160 kPa)	0+70 bar (0+7 MPa)	0,7 bar (70 kPa)	-1+70 bar (-0,1+7 MPa)	0,71 bar (71 kPa)	0+25 bar (0+2,5 MPa)	0,25 bar (25 kPa)	-1+25 bar (-0,1+2,5 MPa)	0,26 bar (26 kPa)	0+7 bar (0+700 kPa)	0,07 bar (7 kPa)	-1+7 bar (-100+700 kPa)	0,07 bar (7 kPa)	-1+1,5 bar (-100+150 kPa)	120 mbar (12 kPa)	0+2 bar (0+200 kPa)	100 mbar (10 kPa)	0+1 bar (0+100 kPa)	50 mbar (5 kPa)	-0,5+0,5 bar (-50+50k Pa)	50 mbar (5 kPa)	0+0,25 bar (0+25 kPa)	25 mbar (2,5 kPa)	-100+100 mbar (-10+10 kPa)	20 mbar (2 kPa)	-15+70 mbar (-1,5+7 kPa)		5 mbar (0,5 kPa)	0+1,3 bar ABS (0+130 kPa ABS)	0,1 bar ABS (10 kPa ABS)	0+7 bar ABS (0+700 kPa ABS)	0,1 bar ABS (10 kPa ABS)	0+25 bar ABS (0+2,5 MPa ABS)	0,25 bar ABS (25 kPa ABS)	0+70 bar ABS (0+7 MPa ABS)	0,7 bar ABS (70 kPa ABS)	0+300 bar ABS (0+30 MPa ABS)	0,3 bar ABS (30 kPa ABS)																																																																																																			
	Range	Min. set range																																																																																																																																																		
	0+1000 bar (0+100 MPa)	10 bar (1 MPa)																																																																																																																																																		
	0+600 bar (0+60 MPa)	6 bar (600 kPa)																																																																																																																																																		
	0+300 bar (0+30 MPa)	3 bar (300 kPa)																																																																																																																																																		
	0+160 bar (0+16 MPa)	1,6 bar (160 kPa)																																																																																																																																																		
	0+70 bar (0+7 MPa)	0,7 bar (70 kPa)																																																																																																																																																		
	-1+70 bar (-0,1+7 MPa)	0,71 bar (71 kPa)																																																																																																																																																		
	0+25 bar (0+2,5 MPa)	0,25 bar (25 kPa)																																																																																																																																																		
	-1+25 bar (-0,1+2,5 MPa)	0,26 bar (26 kPa)																																																																																																																																																		
	0+7 bar (0+700 kPa)	0,07 bar (7 kPa)																																																																																																																																																		
	-1+7 bar (-100+700 kPa)	0,07 bar (7 kPa)																																																																																																																																																		
	-1+1,5 bar (-100+150 kPa)	120 mbar (12 kPa)																																																																																																																																																		
	0+2 bar (0+200 kPa)	100 mbar (10 kPa)																																																																																																																																																		
	0+1 bar (0+100 kPa)	50 mbar (5 kPa)																																																																																																																																																		
	-0,5+0,5 bar (-50+50k Pa)	50 mbar (5 kPa)																																																																																																																																																		
	0+0,25 bar (0+25 kPa)	25 mbar (2,5 kPa)																																																																																																																																																		
	-100+100 mbar (-10+10 kPa)	20 mbar (2 kPa)																																																																																																																																																		
-15+70 mbar (-1,5+7 kPa)	5 mbar (0,5 kPa)																																																																																																																																																			
0+1,3 bar ABS (0+130 kPa ABS)	0,1 bar ABS (10 kPa ABS)																																																																																																																																																			
0+7 bar ABS (0+700 kPa ABS)	0,1 bar ABS (10 kPa ABS)																																																																																																																																																			
0+25 bar ABS (0+2,5 MPa ABS)	0,25 bar ABS (25 kPa ABS)																																																																																																																																																			
0+70 bar ABS (0+7 MPa ABS)	0,7 bar ABS (70 kPa ABS)																																																																																																																																																			
0+300 bar ABS (0+30 MPa ABS)	0,3 bar ABS (30 kPa ABS)																																																																																																																																																			
Measuring set range	/...+... [required units]	Calibrated range in relation to 4mA and 20mA output																																																																																																																																																		
Casing, electrical connection	/PD.....	Housing IP65 with DIN EN 175301-803 connector																																																																																																																																																		
	/PZ.....	304SS housing, IP66, packing gland M20x1,5																																																																																																																																																		
	/PZ316.....	316SS housing, IP66, packing gland M20x1,5																																																																																																																																																		
	/PM12 (IP67).....	304SS housing, IP67 with thread M12x1 and connector with cable (3 m in standard)																																																																																																																																																		
	/PM12 (IP65).....	304SS housing, IP65 with thread M12x1 (without cable)																																																																																																																																																		
	/SG.....	316LSS housing, IP68, cable electrical connection																																																																																																																																																		
	/SGM.....	316LSS housing, IP68, cable electrical connection (3 m of cable in standard)																																																																																																																																																		
	/ALW *.....	Aluminum housing, local display, IP65, DIN43650 connector																																																																																																																																																		
/ALM *.....	Aluminum housing, local display, IP65, DIN43650 connector																																																																																																																																																			
Process connections	/M.....	Thread M20x1,5 (male) with Ø4 hole, wetted parts SS316L																																																																																																																																																		
	/G1/2.....	Thread G1/2" (male) with Ø4 hole, wetted parts SS316L																																																																																																																																																		
	/G1/2(Au).....	Thread G1/2" (male) with Ø4 hole, gold plated diaphragm (range no. 1, 2, 3, 4, 5)																																																																																																																																																		
	/G1/4.....	Thread G1/4" (male), wetted parts SS316L (Pressure limits: min. 10mbar / max. 400bar)																																																																																																																																																		
	/P.....	Thread M20x1,5 (male) with Ø12 hole, wetted parts SS316L																																																																																																																																																		
	/GP.....	Thread G1/2" (male) with Ø12 hole, wetted parts SS316L																																																																																																																																																		
	/GP(Hastelloy).....	Thread G1/2" (male) with Ø12 hole, wetted parts Hastelloy C 276																																																																																																																																																		
	/CM30x2.....	Thread M30x2 with flush diaphragm, wetted parts SS316L (Pressure limits: min. 0,1bar / max. 70bar)																																																																																																																																																		
	/CM30x2(Hastelloy).....	Thread M30x2 with flush diaphragm, wetted parts Hastelloy C 276 (Pressure limits: min. 0,1bar / max. 70bar)																																																																																																																																																		
	/CG1".....	Thread G1" with flush diaphragm, wetted parts SS316L (Pressure limits: min. 0,1bar / max. 70bar)																																																																																																																																																		
	/CG1"(Hastelloy).....	Thread G1" with flush diaphragm, wetted parts Hastelloy C 276 (Pressure limits: min. 0,1bar / max. 70bar)																																																																																																																																																		
	/CG1"-S38.....	Thread G1" with flush diaphragm, wetted parts SS316L (Pressure limits: min. 0,1bar / max. 1bar)																																																																																																																																																		
	/CG1/2".....	Thread G1/2" with flush diaphragm, wetted parts SS316L (Pressure limits: min. 2,5bar)																																																																																																																																																		
	/1/2"NPTM.....	Thread 1/2"NPT Male, G1/4" Female, wetted parts SS316L (Pressure limits: ½"NPT Male max. 690bar, G1/4" Female max. 1000bar)																																																																																																																																																		
/1/2"NPTF.....	Thread M20x1,5 with adapter to 1/2"NPT Female, wetted parts SS316L (Pressure limits: max. 690bar)																																																																																																																																																			
/code of diaphragm seal...	Diaphragm seal (see chapter of diaphragm seals)																																																																																																																																																			
Accessories	/MT.....	Stainless Steel Tag plate mounted on wire																																																																																																																																																		
Other specification	/.....	Description of required parameters (e.g. non-standard pr. connection G3/4", M22x1,5)																																																																																																																																																		

* - pushbuttons allows to change display settings only

Example: Pressure transmitter, output 4...20mA + HART, version Exia, nominal measuring range 0...7bar, calibrated range 0...6bar, process connection ½"NPT male, electrical connection DIN EN 175301-803 connector.

PCE-28.SMART/Exia/0..7bar/0..6bar/PD/1/2"NPTM

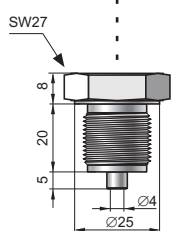
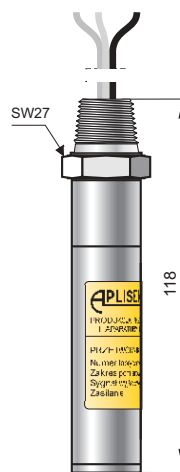
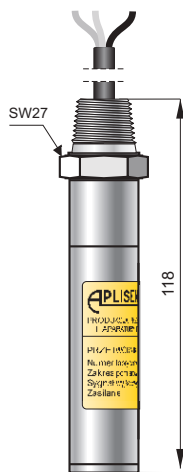
EXPLOSION PROOF SMART PRESSURE TRANSMITTER PCE-28.SMART/EXD



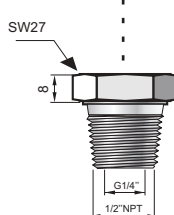
- ✓ 4...20 mA output signal + HART protocol
- ✓ Accuracy 0.1%
- ✓ NACE compatibility
- ✓ Measuring range up to 1380bar

SGM (1/2"NPTM)
cable connection
IP68
(IP66 for gauge pressure <80bar)

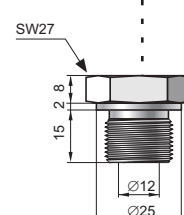
FL (1/2"NPTM)
flying leads
IP68
(IP66 for gauge pressure <80bar)



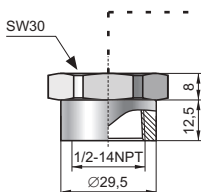
G1/2 type
G1/2", Ø4 hole



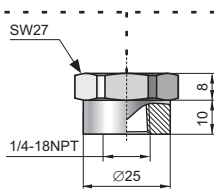
1/2"NPT type
1/2"NPT male +
internal thread G1/4"



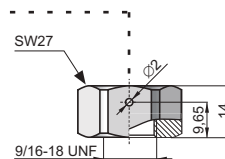
GP type
G1/2", Ø12 hole



1/2NPTF type
1/2-14 NPT female



1/4NPTF type
1/4-18 NPT female



Autoclave
type F-250-C
(9/16-18 UNF)

Application

PCE-28.SMART pressure transmitter is applicable to the measurement of the pressure, underpressure and absolute pressure of gases, vapours and liquids. The active sensing element is a piezoresistant silicon sensor separated from the medium by a diaphragm and by specially selected type of manometric liquid.

Communication

The communication standard for data interchange with the transmitter is the Hart protocol.

Communication with the transmitter is carried out with:

- a KAP-03, KAP-03Ex communicator
- some other Hart type communicators, (*)
- a PC using an HART/USB converter and Raport 2 configuration software.

(*) .eddl files available on www.aplisens.com.

The data interchange with the transmitter enables users to:

- ◆ identify the transmitter
- ◆ configure the output parameters:
 - measurement units and the values of the start points and end points at the measurement range
 - damping time constant
 - conversion characteristic (inversion, user's non-linear characteristic)
- ◆ read the currently measured pressure value of the output current and the percentage output control level
- ◆ force an output current with a set value
- ◆ calibrate the transmitter in relation to a model pressure

Installation

The transmitter is not heavy, so it can be installed on the installation without additional mounting bracket. When the pressure of steam or other hot media is measured, a siphon or impulse line should be used. The needle valve placed upstream the transmitter simplifies installation process and enables the zero point adjustment or the transmitter replacement. The transmitter's electrical connections should be performed with twisted cable. The place for the communicator should be assigned before the communicator installation.

Measuring ranges

No.	Nominal measuring range (FSO)	Minimum set range	Rangeability	Overpressure limit (without hysteresis)***
1	0...1380 bar (0...138 MPa)	13,8 bar (1,38 MPa)	100:1	1600 bar (160 MPa)
2	0...1000 bar (0...100 MPa)	10 bar (1 MPa)	100:1	1200 bar (120 MPa)
3	0...600 bar (0...60 MPa)	6 bar (600 kPa)	100:1	1200 bar (120 MPa)
4	0...300 bar (0...30 MPa)	3 bar (300 kPa)	100:1	450 bar (45 MPa)
5	0...160 bar (0...16 MPa)	1,6 bar (160 kPa)	100:1	450 bar (45 MPa)
6	0...70 bar (0...7 MPa)	0,7 bar (70 kPa)	100:1	140 bar (14 MPa)
7	-1...70 bar (-0,1...7 MPa)	0,71 bar (71 kPa)	100:1	140 bar (14 MPa)
8	0...25 bar (0...2,5 MPa)	0,25 bar (25 kPa)	100:1	50 bar (5 MPa)
9	-1...25 bar (-0,1...2,5 MPa)	0,26 bar (26 kPa)	100:1	50 bar (5 MPa)
10	0...7 bar (0...0,7 MPa)	0,07 bar (7 kPa)	100:1	14 bar (1,4 MPa)
11	-1...7bar (-100...700 kPa)	0,07 bar (7 kPa)	114:1	14 bar (1,4 MPa)
12	-1...1,5bar (-100...150 kPa)	0,12 bar (12 kPa)	20:1	4 bar (400 kPa)
13	0...2 bar (0...200 kPa)	100 mbar (10 kPa)	20:1	4 bar (400 kPa)
14	0...1 bar (0...100 kPa)	50 mbar (5 kPa)	20:1	2 bar (200 kPa)
15	-0,5...0,5 bar (-50...50 kPa)	50 mbar (5 kPa)	20:1	2 bar (200 kPa)
16	0...0,25 bar (0...25 kPa)	25 mbar (2,5 kPa)	10:1	1 bar (100 kPa)
17	-100...100 mbar (-10...10 kPa)	20 mbar (2 kPa)	10:1	1 bar (100 kPa)
18	-15...70 mbar * (-1,5...7 kPa)	5 mbar (0,5 kPa)	17:1	0,5 bar (50 kPa)
19	0...1,3 bar abs (0...130 kPa abs)	100 mbar abs (10 kPa abs)	13:1	2 bar (200 kPa)
20	0...7 bar abs (0...0,7 MPa abs)	100 mbar abs (10 kPa abs)	70:1	14 bar (1,4 MPa)
21	0...25 bar abs (0...2,5 MPa abs)	0,25 bar abs (25 kPa abs)	100:1	50 bar (5 MPa)
22	0...70 bar abs (0...7 MPa abs)	0,7 bar abs (70 kPa abs)	100:1	140 bar (14 MPa)
23	0...300 bar abs (0...30 MPa abs)	3 bar abs (300 kPa abs)	100:1	450 bar (45 MPa)

* only for transmitters without diaphragm seal

Technical data

Metrological parameters

Accuracy	≤ ±0,1% of calibrated range
Long-term stability (for the basic range)	≤ accuracy for 3 years
Thermal error	< ±0,08% (FSO) / 10°C (0,1% for ranges no. 16, 17) max. ±0,25% (FSO) in the whole compensation range (0,4% for ranges 16, 17)
Thermal compensation range	-25...80°C
Response time	16..230ms (programmable)
Additional electronic damping	0...30 s
Error due to supply voltage changes	0.002% (FSO) / V

Electrical parameters

Power supply	7,5...30 V DC
Output signal	4...20 mA, two wire transmission
Load resistance	$R[\Omega] \leq \frac{U_{sup}[V] - 7,5V}{0,0225A}$
Resistance required for communication	min. 240Ω

Materials

Wetted parts and diaphragms:	316Lss, Hastelloy C 276
Casing:	304ss Optional: 316ss

Operating conditions

Operating temperature range (ambient temp.)

FL electrical connection	-40...80°C*
SGM electrical connection	-40...65°C*

* more information available in user's manual and certificate

Medium temperature range

-40...120°C
over 120°C – measurement with use an impulse line or diaphragm seals

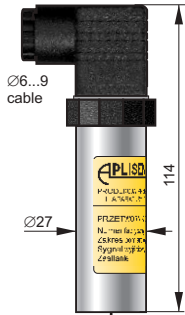
CAUTION: the medium must not be allowed to freeze in the impulse line or close to the process connection of the transmitter

Ordering procedure

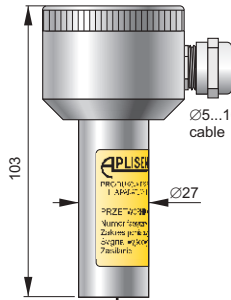
Model	Code	Description
PCE-28.SMART/Exd		Smart pressure transmitter
Versions, certificates	/Exd.....	II 2G Ex db IIC T6/T5/T4 Gb II 2D Ex tb IIIC T85°C Da
	/Exd (IECEX).....	IECEX Ex db IIC T6/T5/T4 Gb Ex tb IIIC T85°C/T100°C/T120°C Db
more than one option is available	/MR..... NACE.....	Marine certificate – DNV, BV NACE MR-01-75 certificate
Nominal measuring range	/0+1380 bar.....	Range: 0+1380 bar (0+138 MPa) Min. set range: 13,8 bar (1,38 MPa)
	/0+1000 bar.....	0+1000 bar (0+100 MPa) 10 bar (1 MPa)
	/0+600 bar.....	0+600 bar (0+60 MPa) 6 bar (600 kPa)
	/0+300 bar.....	0+300 bar (0+30 MPa) 3 bar (300 kPa)
	/0+160 bar.....	0+160 bar (0+16 MPa) 1,6 bar (160 kPa)
	/0+70 bar.....	0+70 bar (0+7 MPa) 0,7 bar (70 kPa)
	/-1+70 bar.....	-1+70 bar (-0,1+7 MPa) 0,71 bar (71 kPa)
	/0+25 bar.....	0+25 bar (0+2,5 MPa) 0,25 bar (25 kPa)
	/-1+25 bar.....	-1+25 bar (-0,1+2,5 MPa) 0,26 bar (26 kPa)
	/0+7 bar.....	0+7 bar (0+700 kPa) 0,07 bar (7 kPa)
	/-1+7 bar.....	-1+7 bar (-100+700 kPa) 0,07 bar (7 kPa)
	/-1+1,5 bar.....	-1+1,5 bar (-100+150 kPa) 120 mbar (12 kPa)
	/0+2 bar.....	0+2 bar (0+200 kPa) 100 mbar (10 kPa)
	/0+1 bar.....	0+1 bar (0+100 kPa) 50 mbar (5 kPa)
	/-0,5+0,5 bar.....	-0,5+0,5 bar (-50+50k Pa) 50 mbar (5 kPa)
	/0+0,25 bar.....	0+0,25 bar (0+25 kPa) 25 mbar (2,5 kPa)
	/-100+100 mbar.....	-100+100mbar (-10+10 kPa) 20 mbar (2 kPa)
/-15+70 mbar.....	-15+70 mbar (-1,5+7 kPa) 5 mbar (0,5 kPa)	
/0+1,3 bar ABS.....	0+1,3 bar ABS (0+130 kPa ABS) 0,1 bar ABS (10 kPa ABS)	
/0+7 bar ABS.....	0+7 bar ABS (0+700 kPa ABS) 0,1 bar ABS (10 kPa ABS)	
/0+25 bar ABS.....	0+25 bar ABS (0+2,5 MPa ABS) 0,25 bar ABS (25 kPa ABS)	
/0+70 bar ABS.....	0+70 bar ABS (0+7 MPa ABS) 0,7 bar ABS (70 kPa ABS)	
/0+300 bar ABS.....	0+300 bar ABS (0+30 MPa ABS) 0,3 bar ABS (30 kPa ABS)	
Measuring set range	/...+... [required units]	Calibrated range in relation to 4mA and 20mA output
Casing, electrical connection	/SGM (1/2"NPTM).....	316LSS housing, cable electrical connection (3 m of cable in standard)
	/FL (1/2"NPTM).....	316LSS housing, flying leads (2 m of flying leads in standard)
Process connection	/G1/2.....	Thread G1/2" (male) with Ø4 hole, wetted parts SS316L
	/GP.....	Thread G1/2" (male) with Ø12 hole, wetted parts SS316L
	/GP(Hastelloy).....	Thread G1/2" (male) with Ø12 hole, wetted parts Hastelloy C 276
	/1/2"NPTM.....	Thread 1/2"NPT Male, wetted parts SS316L Pressure limits: max. 690bar
	/1/2"NPTF.....	Thread 1/4"NPT Female, wetted parts SS316L Pressure limits: min. 10bar / max. 690bar
/1/4"NPTF.....	Thread 1/4"NPT Female, wetted parts SS316L Pressure limits: min. 10bar / max. 690bar	
/Autoclave.....	Compatible with Autovalve type F-250-C Pressure limits: min. 400bar / max. 1380bar	
Accessories	/MT.....	Stainless Steel Tag plate mounted on wire
Other specification	/.....	Description of required parameters

PRESSURE TRANSMITTER PCE-28

- ✓ Any range from 0...25 mbar up to 0...1000 bar
- ✓ 4 ÷ 20 mA two-wire or 0 ÷ 10 V output
- ✓ Intrinsic safety certificate (ATEX, IECEx)
- ✓ Low-voltage version with ATEX and IECEx certificate (model PC-29A, PC-29B)
- ✓ Marine certificate – DNV, BV
- ✓ Communication protocol Modbus RTU
- ✓ Gold plated diaphragm
- ✓ SIL 1 certificate
- ✓ Version with local display **NEW**



**PD type
PD316 type
IP65**



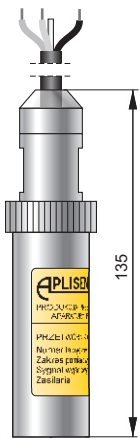
**PZ type
PZ316 type
IP66**



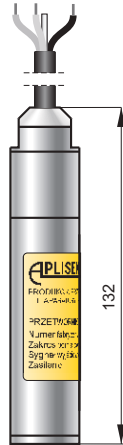
**PM12 type
IP67 or IP65**



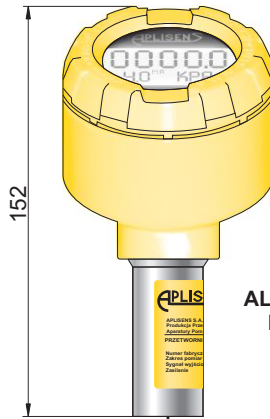
**PKD type
IP67**



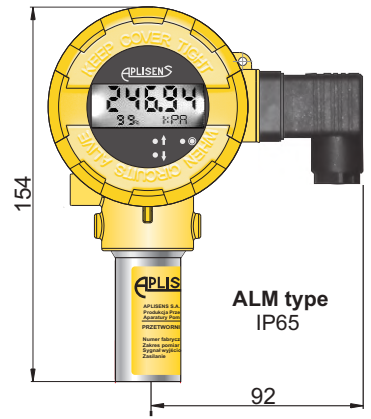
**PK type
IP66/67**



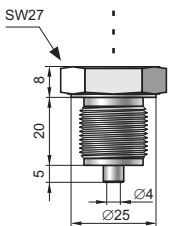
**SG type
IP68**



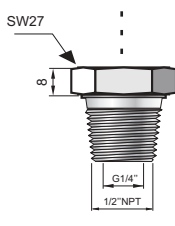
**ALW type
IP65**



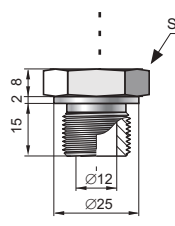
**ALM type
IP65**



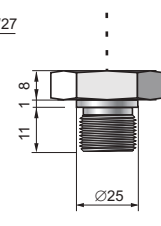
**G1/2 type
G1/2", Ø4 hole
M type
M20×1.5, Ø4 hole**



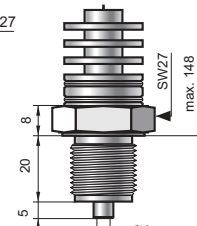
**1/2"NPT type
1/2"NPT male +
internal thread G1/4"**



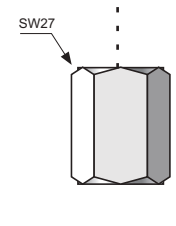
**GP type
G1/2", Ø12 hole
P type
M20×1.5, Ø12 hole**



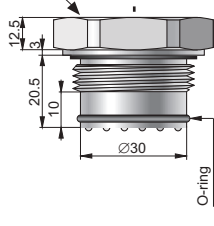
G1/4" type



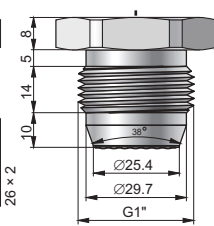
**RG type
G1/2" with radiator
RM type
M20×1.5 with radiator**



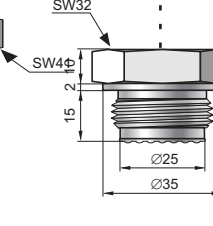
**1/2"NPT F type
internal thread
1/2-14NPT**



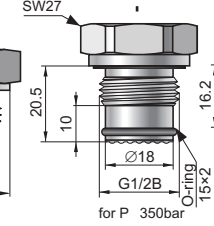
**CG1 type
G1" with flush
diaphragm**



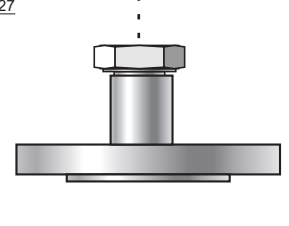
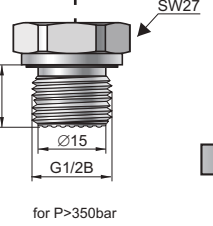
**CG1-S38 type
G1" with flush
diaphragm**



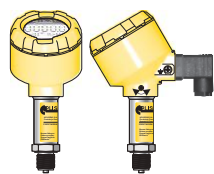
**CM30×2 type
M30×2 with flush
Diaphragm**



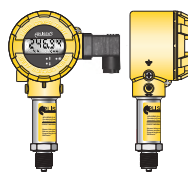
**CG1/2 type
G1/2" with
flush diaphragm**



**Version with direct
or remotediaphragm sea.
Diaphragm seal data -
see chapter III**



ALW type



ALM type

ALW and ALM type

Aluminum casing with programable local display. The design of the casing enables the use of a local display, rotation of the display, rotation of the casing by 0–345° relative to the sensor. Electrical connection DIN EN 175301-803, IP65 (special version with cable electrical connection and IP67).

Display with backlight allows to read:

- measured pressure in user units or % of measuring range
- current in output loop in mA

Application and construction

The PCE-28 pressure transmitter is applicable to the measurement of the pressure, underpressure and absolute pressure of gases, vapours and liquids. The active sensing element is a piezoresistant silicon sensor separated from the medium by a diaphragm and by specially selected type of manometric liquid. The electronics is placed in a casing with a degree of protection from IP 65 to IP 68, depending on the type of electrical connection applied.

Calibration

Potentiometers can be used to shift the zero position and the range by up to ±10%, without altering the settings.

Installation

The transmitter is not heavy, so it can be installed directly on the installation. When the pressure of steam or other hot media is measured, a siphon or impulse line should be used. The needle valve placed upstream the transmitter simplifies installation process and enables the zero point adjustment or the transmitter replacement.

When the special process connections are required for the measurement of levels and pressures (e.g. at food and chemical industries), the transmitter is provided with an Aplisens diaphragm seal. Installing accessories and a full scope of diaphragm seals are described in detail in the further part of the catalogue.

Measurements under explosion hazard

ATEX Intrinsic safety version is available for taking measurements in zones under explosion hazard. The installation of the transmitter in a zone under explosion hazard requires the use of a Ex power supply. We recommend the use of the Aplisens ZS-30Ex1, ZS-31Ex1 power supply and separator.

Technical data

Any measuring range

0...25 mbar + 0...1000 bar (over pressure, under pressure); 400 mbar + 80 bar (absolute pressure)
 Measurement of lower pressure ranges, possible using transmitter PRE-50G with GP process connection.

	Measuring range				
	25 mbar	100 mbar	400 mbar	0...1 bar + 160bar	0...160 bar + 1000bar
Overpressure Limit (repeated, without hysteresis)	1 bar	1 bar	2,5 bar	4 x range	2 x range; max. 1200 bar
Damaging Overpressure	2 bar	2 bar	5 bar	8 x range; max. 2000 bar	
Accuracy	0,6%	0,3%	0,2% (0,16% - special version)		
Long term stability	0,6% / year	0,2% / year	0,1% / year		
Thermal error	Typically 0,5% / 10°C Max 0,6% / 10°C	Typically 0,3% / 10°C Max 0,4% / 10°C	Typically 0,2% / 10°C Max 0,3% / 10°C		

Hysteresis, repeatability 0,05%
Response time < 120 ms
 version TR: < 30 ms
Thermal compensation range -10...80°C
Operating temperature range (ambient temp.) -40...80°C
Medium temperature range -40...130°C

over 130°C – measurement with use an impulse line or diaphragm seals

CAUTION: the medium must not be allowed to freeze in the impulse line or close to the process connection of the transmitter

Output signal 4...20 mA, two wire transmission
 0..10V
Material of wetted parts 316Lss, Hastelloy C 276, Au
Material of casing 304ss, 316Lss
Power supply output 4..20mA
 8...36 V DC (Ex 9...28 V DC)
 version TR, version Safety: 10,5...36 V DC (Ex 12...28 V DC)
 ALW and ALM version: (11...36V DC)
 output 0..10V
 13...30 VDC
Error due to supply voltage changes 0,005% / V
Load resistance $R[\Omega] \leq \frac{U_{sup}[V] - 8V}{0,02A}$

PCE-28/Modbus - Technical data*

Metrological parameters
Accuracy ≤ ±0,1%
Long-term stability ≤ accuracy for 3 years
 (for nominal range)
Thermal error < ±0,1% (FSO) / 10°C
 max. ±0,4% (FSO) in the whole compensation range
Thermal compensation range -25...80°C
Additional electronic damping 0...30s

Electrical parameters
Power supply 4...28 V DC
Transmission range 1200 m
Output MODBUS RTU + 4...20 mA
Address space 1...247 devices address
Transmission speed 600...115200 bps
Parity transmission no parity, odd, even
Frame transmission 10...11bits (1, 2 bit-stop)

* more information about electrical parameters available in user's manual

Communication

Pressure transmitters with communication protocol Modbus RTU. The communication standard for data interchange with the transmitter is the Modbus RTU. Communication with the transmitter is carried out with PC using RS converter and Aplisens software.

Ordering procedure

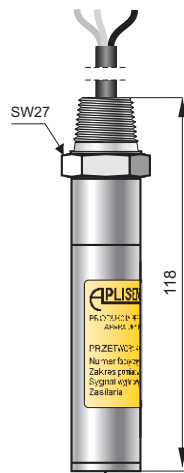
Model	Code	Description
PCE-28		Pressure transmitter
Versions, certificates more than one option is available	/Exia.....	II 1/2G Ex ia IIC T4/T5/T6 Ga/Gb II 1D Ex ia IIIC T110°C Da I M1 Ex ia I Ma Only for transmitters with 4...20mA output and Modbus version For PM12, PKD version: II 1/2G Ex ia IIC T4/T5/T6 Ga/Gb IECEEx Ex ia IIC T4/T5/T6 Ga/Gb For ALW, ALM version: II 1/2G Ex ia IIC T4 Ga/Gb II 1D Ex ia IIIC T110°C Da IECEEx Ex ia IIC T4 Ga/Gb Ex ia IIIC T110°C Da
	/Exia (IECEEx).....	IECEEx Ex ia IIC T4/T5/T6 Ga/Gb Ex ia IIIC T110°C Da Ex ia I Ma Transmitter with output signal (0...2,5V / 0...3,3V) and Exia certificate is supplied as a model: II 1/2G Ex ia IIC T4/T5/T6 Ga/Gb I M1 Ex ia I Ma IECEEx Ex ia IIC T4/T5/T6 Ga/Gb Ex ia I Ma Transmitter with output signal (0...5V / 0,5...4,5V) and ATEX certificate is supplied as a model: II 1/2G Ex ia IIC T4/T5/T6 Ga/Gb I M1 Ex ia I Ma IECEEx Ex ia IIC T4/T5/T6 Ga/Gb Ex ia I Ma
	/MR.....	Marine certificate – DNV, BV (not available in ALW, ALM and Modbus version)
	/Tien.....	For oxygen service (sensor filled with Fluorolube fluid), only G1//2" connection version with high overload capacity and integrated circuit offering excess voltage protection
	/H.....	European Pressure Equipment Directive N° 97/23/EC, category IV not available for transmitters with Hastelloy C 276 wetted parts
	/PED.....	Accuracy <0,16% (available for ranges >400mbar)
	/0,16%.....	Modbus communication protocol (electrical connection PM12)
	/Modbus.....	SIL 1 certificate; only 4...20mA output
	/SIL 1.....	Response time <30ms; only 4...20mA output
	/TR.....	
Measuring range	/...+... [required units]	Measuring range
Analogue output signal	(without marking)	4...20mA / power supply 8...36VDC (Ex 9...28VDC)
	/0+10V.....	0...10VDC / power supply 13...30VDC
	/0+2,5V.....	0...2,5VDC / power supply 3,3VDC
	/0+3,3V.....	0...3,3VDC / power supply 4,5VDC
	/0+5V.....	0...5VDC / power supply 8...14VDC
	/0,5+4,5V.....	0,5...4,5VDC / power supply 8...14VDC
Casing, electrical connection	/PD.....	304SS housing, IP65, DIN EN 175301-803 connector
	/PD316.....	316SS housing, IP65, DIN EN 175301-803 connector
	/PZ.....	304SS housing, IP66, packing gland M20x1,5
	/PZ316.....	316SS housing, IP66, packing gland M20x1,5
	/PM12 (IP67).....	304SS housing, IP67 with thread M12x1 and connector with cable (3 m in standard)
	/PM12 (IP65).....	304SS housing, IP65 with thread M12x1 (without cable)
	/PK.....	304SS housing, IP66/67, cable electrical connection
	/PKD.....	304SS housing, IP67, cable electrical connection (3 m of cable in standard)
	/SG.....	316LSS housing, IP68, cable electrical connection (3 m of cable in standard)
	/SGM.....	316LSS housing, IP68, cable electrical connection (3 m of cable in standard)
/ALW *.....	Aluminum housing, local display, IP65, DIN43650 connector	
/ALM *.....	Aluminum housing, local display, IP65, DIN43650 connector	
Process connections	/M.....	Thread M20x1,5 (male) with Ø4 hole, wetted parts SS316L
	/G1/2.....	Thread G1/2" (male) with Ø4 hole, wetted parts SS316L
	/G1/2(Au).....	Thread G1/2" (male) with Ø4 hole, gold plated diaphragm (range no. 1, 2, 3, 4)
	/G1/4.....	Thread G1/4" (male), wetted parts SS316L (Pressure limits: min. 10mbar / max. 400bar)
	/P.....	Thread M20x1,5 (male) with Ø12 hole, wetted parts SS316L
	/GP.....	Thread G1/2" (male) with Ø12 hole, wetted parts SS316L
	/GP(Hastelloy).....	Thread G1/2" (male) with Ø12 hole, wetted parts Hastelloy C 276
	/CM30x2.....	Thread M30x2 with flush diaphragm, wetted parts SS316L (Pressure limits: min. 0,1bar / max. 70bar)
	/CM30x2(Hastelloy).....	Thread M30x2 with flush diaphragm, wetted parts Hastelloy C 276 (Pressure limits: min. 0,1bar / max. 70bar)
	/CG1".....	Thread G1" with flush diaphragm, wetted parts SS316L (Pressure limits: min. 0,1bar / max. 70bar)
	/CG1"(Hastelloy).....	Thread G1" with flush diaphragm, wetted parts Hastelloy C 276 (Pressure limits: min. 0,1bar / max. 70bar)
	/CG1"-S38.....	Thread G1" with flush diaphragm, wetted parts SS316L (Pressure limits: min. 0,1bar / max. 1bar)
	/CG1/2".....	Thread G1/2" with flush diaphragm, wetted parts SS316L (Pressure limits: min. 2,5bar / max. 300bar)
	/RG.....	Thread G1/2" with radiator, wetted parts SS316L (Pressure limits: min. 160mbar / max. 40bar, max. temperature up to 170°C)
	/1/2"NPTM.....	Thread 1/2"NPT Male, G1/4" Female, wetted parts SS316L (Pressure limits: ½"NPT Male max. 690bar, G1/4" Female max. 1000bar)
/1/2"NPTF.....	Thread M20x1,5 with adapter to 1/2"NPT Female, wetted parts SS316L (Pressure limits: max. 690bar)	
/code of diaphragm seal...	Diaphragm seal (see chapter of diaphragm seals)	
Accessories	/MT.....	Stainless Steel Tag plate mounted on wire
Other specification	/.....	Description of required parameters (e.g. non-standard pr. connection G3/4", M22x1,5)

* - pushbuttons allows to change display settings only, version ALM without Zero and Span potentiometers

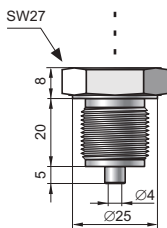
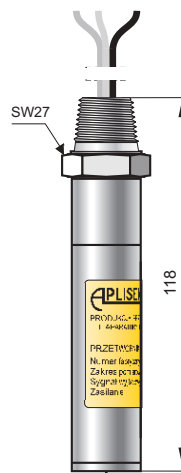
EXPLOSION PROOF PRESSURE TRANSMITTER PCE-28/EXD

- ✓ Any range from 0...25 mbar up to 0...1380 bar
- ✓ 4 ÷ 20 mA two-wire output
- ✓ Explosion proof certificate (ATEX, IECEx)
- ✓ Marine certificate – DNV, BV
- ✓ Communication protocol Modbus RTU
- ✓ SIL 1 certificate
- ✓ NACE compatibility

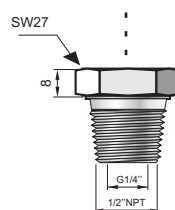
SGM (1/2"NPTM)
cable connection
IP68
(IP66 for gauge pressure <80bar)



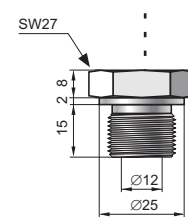
FL (1/2"NPTM)
flying leads
IP68
(IP66 for gauge pressure <80bar)



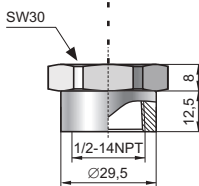
G1/2 type
G1/2", Ø4 hole



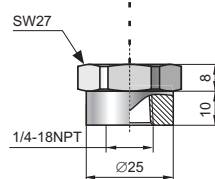
1/2"NPT type
1/2"NPT male +
internal thread G1/4"



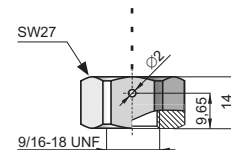
GP type
G1/2", Ø12 hole



1/2NPTF type
1/2-14 NPT female



1/4NPTF type
1/4-18 NPT female



Autoclave
type F-250-C
(9/16-18 UNF)

Application and construction

The PCE-28 pressure transmitter is applicable to the measurement of the pressure, underpressure and absolute pressure of gases, vapours and liquids. The active sensing element is a piezoresistant silicon sensor separated from the medium by a diaphragm and by specially selected type of manometric liquid. The electronics is placed in a casing with a degree of protection from IP 66 to IP 68.

Measurements under explosion hazard

ATEX Explosion Proof version is available for taking measurements in zones under explosion hazard.

Technical data

Any measuring range 0...25 mbar + 0...1380 bar (over pressure, under pressure); 400 mbar + 80 bar (absolute pressure)

	Measuring range				
	25 mbar	100 mbar	400 mbar	0...1 bar + 160bar	0...160 bar + 1380bar
Overpressure Limit (repeated, without hysteresis)	1 bar	1 bar	2,5 bar	4 x range	2 x range; max. 1600 bar
Damaging Overpressure	2 bar	2 bar	5 bar	8 x range; max. 2000 bar	
Accuracy	0,6%	0,3%	0,2% (0,16% - special version)		
Long term stability	0,6% / year	0,2% / year	0,1% / year		
Thermal error	Typically 0,5% / 10°C Max 0,6% / 10°C	Typically 0,3% / 10°C Max 0,4% / 10°C	Typically 0,2% / 10°C Max 0,3% / 10°C		

Hysteresis, repeatability	0,05%
Response time	< 120 ms
Thermal compensation range	-10...80°C
Operating temperature range (ambient temp.)	
FL electrical connection	-40...80°C*
SGM electrical connection	-40...65°C*
* more information available in user's manual and certificate	
Medium temperature range	-40...130°C

over 130°C – measurement with use an impulse line
CAUTION: the medium must not be allowed to freeze in the impulse line or close to the process connection of the transmitter

Output signal	4...20 mA, two wire transmission
Material of wetted parts	316Lss, Hastelloy C 276
Material of casing	304ss, 316Lss
Power supply	8...30 V DC version Safety: 10,5...36 VDC
Error due to supply voltage changes	0,005%/ V
Load resistance	$R[\Omega] \leq \frac{U_{sup}[V] - 8V}{0,02A}$

PCE-28/Exd/Modbus - Technical data*


Metrological parameters	
Accuracy	$\leq \pm 0,1\%$
Long-term stability (for nominal range)	\leq accuracy for 3 years
Thermal error	$< \pm 0,1\%$ (FSO) / 10°C max. $\pm 0,4\%$ (FSO) in the whole compensation range
Thermal compensation range	-25...80°C
Additional electronic damping	0...30s

Electrical parameters	
Power supply	4...28 V DC
Transmission range	1200 m
Output	MODBUS RTU + 4...20 mA
Address space	1...247 devices address
Transmission speed	600...115200 bps
Parity transmission	no parity, odd, even
Frame transmission	10...11bits (1, 2 bit-stop)
* more information about electrical parameters available in user's manual	

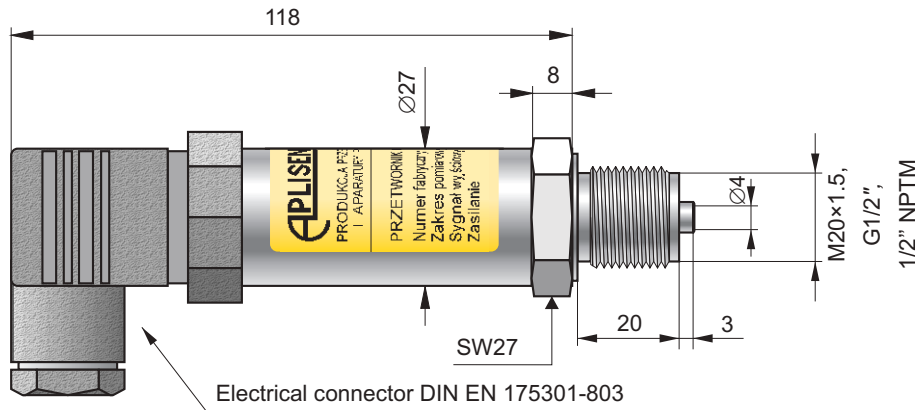
Communication

Pressure transmitters with communication protocol Modbus RTU. The communication standard for data interchange with the transmitter is the Modbus RTU. Communication with the transmitter is carried out with PC using RS converter and Aplisens software.

Ordering procedure

Model	Code	Description
PCE-28/Exd		Pressure transmitter
Versions, certificates more than one option is available	/Exd.....	 II 2G Ex db IIC T6/T5/T4 Gb II 2D Ex tb IIIC T85°C Da
	/Exd (IECEX).....	IECEX Ex db IIC T6/T5/T4 Gb Ex tb IIIC T85°C/T100°C/T120°C Db
	/MR.....	Marine certificate – DNV, BV
	/0,16%.....	Accuracy <0,16% (available for ranges >400mbar)
	/Modbus.....	Modbus communication protocol (ATEX not available)
	/SIL 1.....	SIL 1 certificate; only 4..20mA output
	/NACE.....	NACE MR-01-75 certificate
Measuring range	/...+... [required units]	Measuring range
Casing, electrical connection	/SGM (1/2"NPTM).....	316LSS housing, cable electrical connection (3 m of cable in standard)
	/FL (1/2"NPTM).....	316LSS housing, flying leads (2 m of flying leads in standard)
Process connection	/G1/2.....	Thread G1/2" (male) with Ø4 hole, wetted parts SS316L
	/P(Hastelloy).....	Thread M20x1,5 (male) with Ø12 hole, wetted parts Hastelloy C 276
	/GP.....	Thread G1/2" (male) with Ø12 hole, wetted parts SS316L
	/GP(Hastelloy).....	Thread G1/2" (male) with Ø12 hole, wetted parts Hastelloy C 276
	/1/2"NPTM.....	Thread 1/2"NPT Male, wetted parts SS316L Pressure limits: max. 690bar
	/1/2"NPTF.....	Thread 1/4"NPT Female, wetted parts SS316L Pressure limits: min. 10bar / max. 690bar
	/1/4"NPTF.....	Thread 1/4"NPT Female, wetted parts SS316L Pressure limits: min. 10bar / max. 690bar
/Autoclave.....	Compatible with Autovalve type F-250-C Pressure limits: min. 400bar / max. 1380bar	
Accessories	/MT.....	Stainless Steel Tag plate mounted on wire
Other specification	/.....	Description of required parameters

Pressure Transmitter AS



- ✓ Potentiometers for zero and span adjustment
- ✓ Accuracy 0,4%
- ✓ Measuring ranges: 0 ÷ 1; 0 ÷ 2,5; 0 ÷ 6
0 ÷ 10; 0 ÷ 16; 0 ÷ 25 bar
- ✓ Output signal 4 ÷ 20 mA or 0 ÷ 10 V
- ✓ Process connection 1/2" NPTM, G1/2", M20x1,5

Application

The pressure transmitter AS is applicable to measurement the pressure of gases vapours and liquids. It may be applied in water supply systems and heat engineering.

Construction

The active sensing element is a piezoresistant silicon sensor separated from the medium by a diaphragm and by specially selected type of manometric liquid. The electronics are placed in the casing with a degree of protection IP65. Electrical connection is the connector DIN EN 175301-803.

Installation

The transmitter is not heavy, so it can be fitted on the installation. For pressure measurements of steam or other hot media a siphon or impulse line should be used. The needle valve placed upstream the transmitter simplifies installation process and enables the transmitter replacement.

Metrological parameters

Accuracy	0,4%
Hysteresis, repeatability	0,05%
Overpressure limit	4 × range
Thermal compensation range	0 ÷ 70°C
Thermal error	0,2% / 10°C
Long-term stability	0,5% / year

Technical data

Degree of protection	IP65
Material of wetted parts	00H17N14M2 (SS316L)
Material of casing	0H18N9 (SS304)

Electrical parameters

Output signal	4 ÷ 20 mA, two wire transmission 0 ÷ 10 V, three wire transmission
Power supply	8...36 VDC – two wire transmission 13...30 VDC – three wire transmission 24 V AC

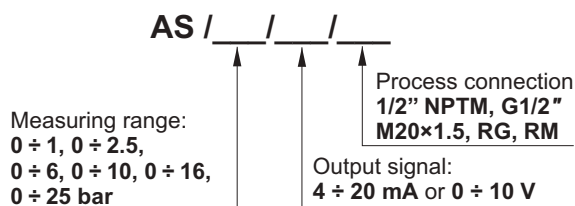
Load resistance (for current output) $R[\Omega] \leq \frac{U_{sup}[V] - 8V}{0,02A}$

Load resistance (for supply output) $R \geq 20k\Omega$

Operating conditions

Operating temperature range (ambient temp.)	-25 ÷ 80°C
Medium temperature range:	
	-25 ÷ 120°C – direct measurement
	-25 ÷ 170°C – measurement using an impulse line

Ordering procedure



INDUSTRIAL PRESSURE GAUGE MS-100K

- ✓ Casing diameter $\varnothing 100$
- ✓ Material of casing, process connection and measuring element – stainless steel
- ✓ Accuracy 1%

Application, construction

MS-100 pressure gauges are applicable to the measurement of the pressure of liquids and gases at temperatures up to 200°C. The range of pressures of the measured medium should correspond to 3/4 of the reading range of the pressure meter for constant pressures or 2/3 of the reading range for pulsating pressures. The casing box is made of stainless steel and has a window made of industrial glass. The pressure gauge's measuring element and process connection are made of stainless steel (or brass for version with diaphragm seals).



Technical data

Standard measurement ranges:

0...1, 1.6, 2.5, 4, 6, 10, 16, 25, 40, 60, 100, 160, 250, 400 bar
-1...0, 0.6, 1.5, 5, 9, 15 bar

Accuracy	1%
Diameter of the casing	$\varnothing 100$
Material of the casing	0H18N9 (304ss)
Material of process connection and measuring element	H17N13M2T (316Ti),
Process connection	G1/2" or M20×1.5
Process connection outlet	bottom (special version: back)

Operating temperature range

Filling fluid:	
without	-40...90°C
glycerine	-20...65°C

Medium temperature range

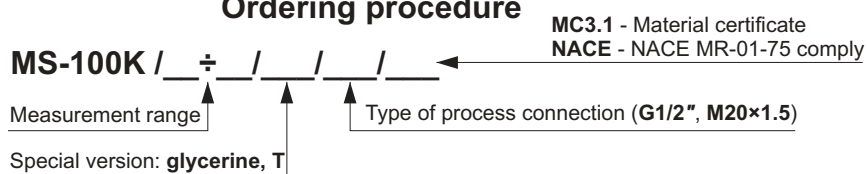
Filling fluid:	
without	up to 200°C
glycerine	up to 90°C

Degree of protection IP 65

Special versions

glycerine	casing filled with glycerine
T	back connection

Ordering procedure



Example: MS-100K pressure gauge / range 0 ÷ 6 bar / glycerine / G1/2" process connection

MS-100K / 0 ÷ 6 bar / glycerine / G1/2"

PRESSURE GAUGE WITH DIAPHRAGM SEAL MS-100

- ✓ **Casing diameter** Ø100
- ✓ **Material of casing, process connection and measuring element – stainless steel**
- ✓ **Accuracy 1%**

Use

Burdon tube pressure gauges are mechanical pressure measuring devices, which are sensitive to many factors typical of industrial applications. The use of diaphragm seals will significantly improve the reliability of the pressure gauge, and is often a necessary condition for measurements to be made.

Pressure gauges with appropriate diaphragm seals are used:

to measure the pressure of media which are:

- ◆ contaminated, viscous, solidifying,
- ◆ at high or low temperature,
- ◆ chemically reactive;

in cases of:

- ◆ mechanical vibration of the system,
- ◆ pulsating pressure;

where there is a need for:

- ◆ protection of the system against unsealing in case of a fault with the manometer,
- ◆ aseptic measurement conditions in the food and pharmaceuticals industries.



The full range of diaphragm seals which can be used with pressure gauge is described in detail in Chapter III: Diaphragm Seals. The temperature range of the medium measured using a pressure gauge with diaphragm seal depends on the choice of diaphragm seal and may lie between -60 and +315°C.

With an appropriate selection of pressure gauge and diaphragm seal, taking into account the width of the measurement range, the measurement accuracy of the unit is in accordance with the precision class of the pressure gauge. Detailed recommendations concerning the range of usability of diaphragm seals combined with manometers are contained in Chapter III: Diaphragm Seals.

Technical data

Standard measurement ranges:

0...1, 1.6, 2.5, 4, 6, 10, 16, 25, 40, 60, 100, 160, 250, 400 bar
-1...0, 0.6, 1.5, 5, 9, 15 bar

Accuracy 1%

Diameter of the casing Ø100

Material of the casing 0H18N9 (304ss)

Material of process connection and measuring element H17N13M2T (316Ti),

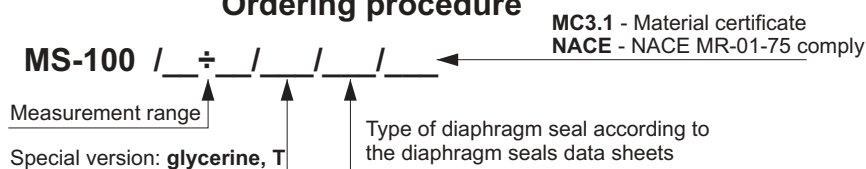
Process connection diaphragm seal

Process connection outlet bottom (special version: back)

Special versions

glycerine T casing filled with glycerine back connection

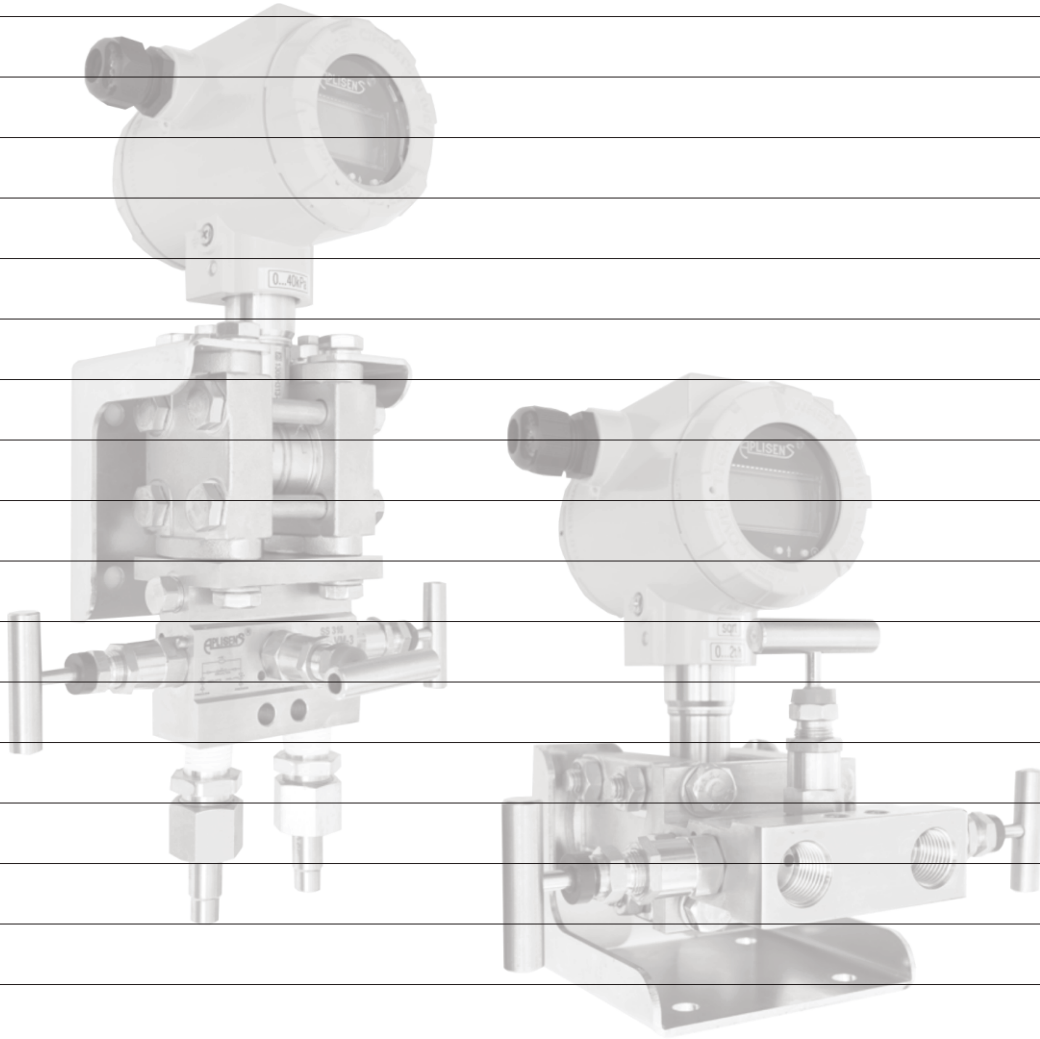
Ordering procedure



Example: MS-100 pressure gauge / range 0 ÷ 6 bar / glycerine / DN50PN40 diaphragm seal

MS-100 / 0 ÷ 6 bar / glycerine / S-P-DN50PN40

Notes



Chapter II

Devices for measurement of differential pressure or level in pressure tanks

Smart differential pressure transmitter APR-2000ALW	II/ 2
Smart differential pressure transmitter APRE-2000	II/ 6
Smart differential pressure transmitter for low ranges APR-2000GALW	II/ 9
Smart differential pressure transmitter for low ranges APRE-2000G	II/ 12
Smart differential pressure transmitter PRE-28.SMART	II/ 15
Differential pressure transmitter PRE-28	II/ 18
Differential pressure transmitter AS-dP	II/ 20
Differential pressure transmitter for low ranges PR-50G	II/ 21
Smart differential pressure transmitter with two diaphragm seals APR-2200ALW, APRE-2200	II/ 23

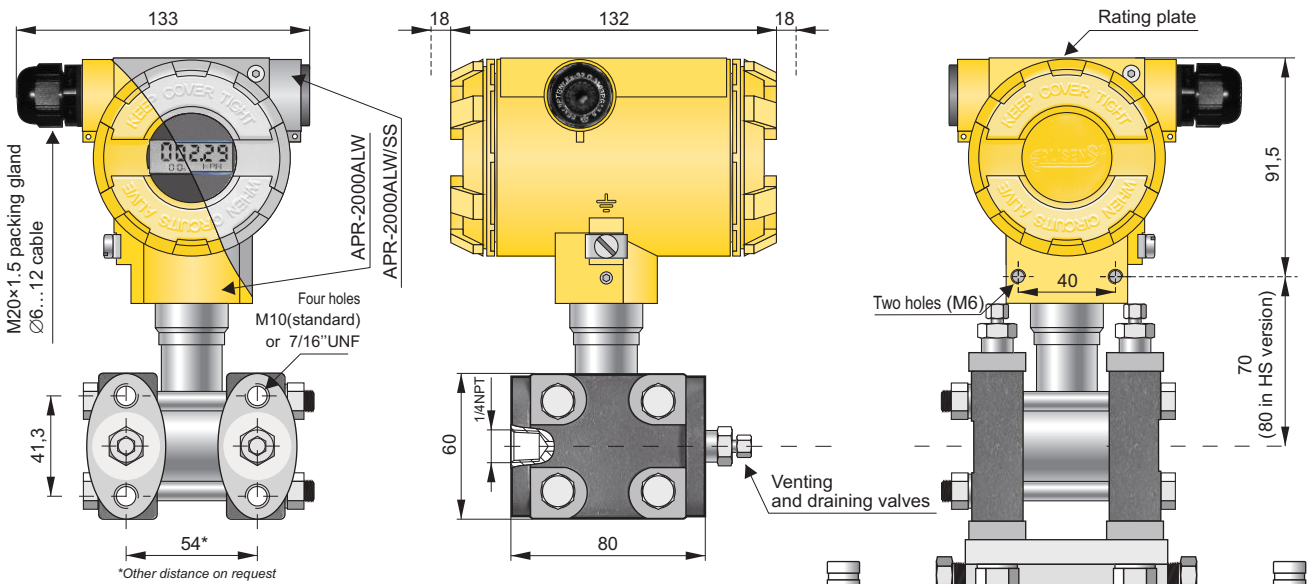
SMART DIFFERENTIAL PRESSURE TRANSMITTER APR-2000ALW



- ✓ 4...20 mA output signal + HART protocol (special version: 0...20 mA or 0...5 mA output signal + HART protocol)
- ✓ Display with backlight
- ✓ SIL 2 certificate
- ✓ Intrinsic safety certificate (ATEX, IECEx)
- ✓ Explosion proof certificate (ATEX, IECEx)
- ✓ PED Conformity (97/23/EC)
- ✓ Programmable zero range, shift, characteristic and damping ratio with local panel keys
- ✓ Static pressure limit up to 700bar
- ✓ Accuracy 0,075% (0,05% on request)
- ✓ Marine certificate – DNV, BV
- ✓ Gold plated diaphragms
- ✓ Wetted parts material 316L/Hastelloy C276

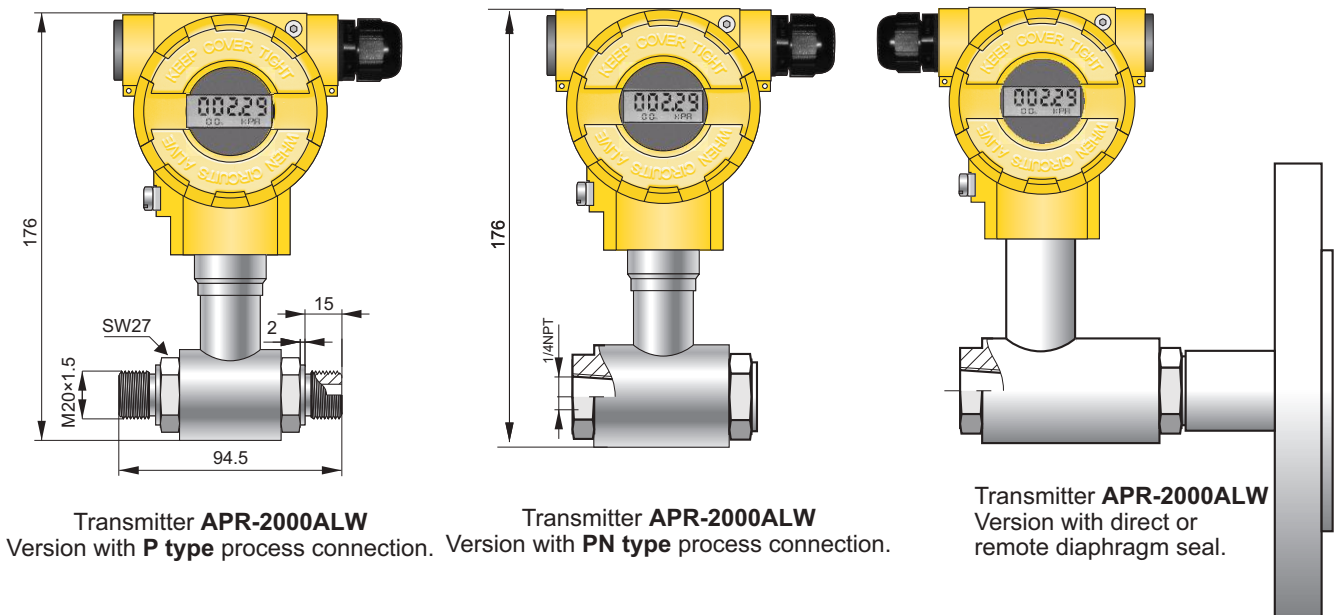
up to 5 years warranty

static pressure limit up to 700bar



Transmitter **APR-2000ALW** – version with **type C** process connection to be mounted together with a valve manifold

Version with process connection rotated 90°



Application and construction

The APR-2000ALW transmitter is applicable to the measurement of differential pressure of gases, vapours and liquids. The active element is a piezoresistant silicon sensor separated from the medium by separating diaphragms and a specially selected type of manometric fluid. The special design of the active sensing element ensures that it is able to withstand pressure surges and overloads of up to 250/320/413/700 bar. The casing is made of aluminium alloy cast or 316SS stainless steel, degree of protection IP66/IP67. The design of the casing enables the use of a local display, rotation of the display, rotation of the casing by 0–340° relative to the sensor, and a choice of cable direction.

Communication and configuration

The communication standard for data interchange with the transmitter is the Hart protocol. The data interchange with the transmitter enables users to:

Communication with the transmitter is carried out with:

- a KAP-03, KAP-03Ex communicator
- some other Hart type communicators(*)
- a PC using an HART/USB converter and Raport 2 configuration software.

(*) .eddl files available on www.aplisens.com.

- ◆ identify the transmitter
- ◆ configure the output parameters:
 - measurement units and the values of the start points and end points at the measurement range
 - damping time constant
 - conversion characteristic (inversion, user's non-linear characteristic)
- ◆ read the currently measured pressure value of the output current and the percentage output control level
- ◆ force an output current with a set value
- ◆ calibrate the transmitter in relation to a model pressure

Installation

The transmitter with **P** or **PN** type process connection is not heavy, so can be installed without additional mounting bracket on application. For fitting in any desired position we recommend an universal Aplisens mounting bracket for 2" pipe (AL mounting bracket, see page IV/ 5). The version with **C** type process connections can be fitted directly to a 3- or 5- valve manifold. We recommend factory-mounted transmitters with VM type valve manifold (page IV/ 2). A transmitter without a valve manifold can be fitted in any position on a 2" pipe or on a wall using the C-2" mounting bracket (page IV/ 5). When the special process connections are required for the measurement of specific media levels in closed tanks (e.g. in the sugar and chemical industries) the transmitter is fitted with an Aplisens diaphragm seal. Sets of differential pressure transmitters with diaphragm seals are described in detail in the further part of the catalogue.

Measuring ranges

No.	Nominal measuring range (FSO)	Minimum set range	Rangeability	Overpressure limit/ static pressure limit
1	0...70 bar (0...7 MPa)	7 bar (700 kPa)	10:1	C-type: 250 / 320 / 413 bar (250 bar for PED version) P-type: 40 bar (for range no. 1: 70bar)
2	0...16 bar * (0...1,6 MPa)	1,6 bar (160 kPa)	10:1	
3	0...2,5 bar (0...250 kPa)	0,2 bar (20 kPa)	12,5:1	
4	0...1 bar * (0...100 kPa)	50 mbar (5k Pa)	20:1	
5	0...0,25 bar * (0...25 kPa)	10 mbar (1k Pa)	25:1	
6	-0,5...0,5 bar * (-50...50 kPa)	0,1 bar (10 kPa)	10:1	
7	-100...100 mbar * (-10...10 kPa)	10 mbar (1 kPa)	20:1	
8	-5...70 mbar * (-0,5...7 kPa)	4 mbar (0,4 kPa)	18:1	
9	-25...25 mbar * (-2,5...2,5 kPa)	2 mbar (0,2 kPa)	25:1	
10	-7...7 mbar ** (-700...700 Pa)	1 mbar (0,1 kPa)	14:1	C-type: 200 bar (10 bar for PED version); P-type: 40 bar 20 bar

* available also in HS version
** available only in HS version

Technical data

Metrological parameters

Accuracy $\leq \pm 0,075\%$ of the calibrated range
($\leq \pm 0,1\%$ for range no. 10)
Special version: $\leq \pm 0,05\%$ of the calibrated range

Long term stability \leq accuracy for 3 years
(for the nominal measuring range) $\text{or } \leq 2 \times$ accuracy for 5 years
HS version: \leq accuracy for 6 years
 $\text{or } \leq 2 \times$ accuracy for 10 years

Thermal error $< \pm 0,05\%$ (FSO) / 10°C for ranges no. 1 - 9
 $< \pm 0,08\%$ (FSO) / 10°C for ranges no. 10
max. $\pm 0,25\%$ (FSO) in the whole compensation range
spec. version for ranges no 1-9:

$\leq \pm 0,03\%$ (FSO) / 10°C
max. $\pm 0,1\%$ (FSO) in the whole compensation range

Thermal compensation range -25...80°C

Zero shift error for static pressure

0,01% (FSO) / 10 bar for ranges no. 3, 4, 5, 6, 7, 9
0,03% (FSO) / 10 bar for range no. 8
0,06% (FSO) / 10 bar for ranges no. 1, 2
0,01% (FSO) / 10 bar for ranges no. 2, 8 in HS version
0,02% (FSO) / 10 bar for range no. 10

Zeroing the transmitter in conditions of static pressure can eliminate this error.

Response time 16...480ms (programmable)
Exd version: 150ms

Additional electronic damping 0...60 s

Error due to supply voltage changes 0,002% (FSO) / V

Electrical parameters

Power supply: 10...55 VDC / Exia: 10,5...30 VDC / Exd: 10,5...45 VDC
SIL2: 15...45 VDC / SIL2 Exia: 16...28 VDC

Output signal 4...20 mA + HART

Load resistance (for standard version) $R[\Omega] \leq \frac{U_{sup}[V] - 10V}{0,0225A}$

Resistance required for communication min. 240 Ω

Materials

Wetted parts SS316L, Hastelloy C276

Diaphragms SS316L, Hastelloy C 276, Au

Casing Aluminium

Option: SS316

Material of window: polycarbonate glass, hardened glass

Operating conditions

Operating temperature range (ambient temp.)	-25...85°C
special version	-40...85°C
Exia version	-25...80°C
Exd version	-25...75°C

Medium temperature range -25...120°C

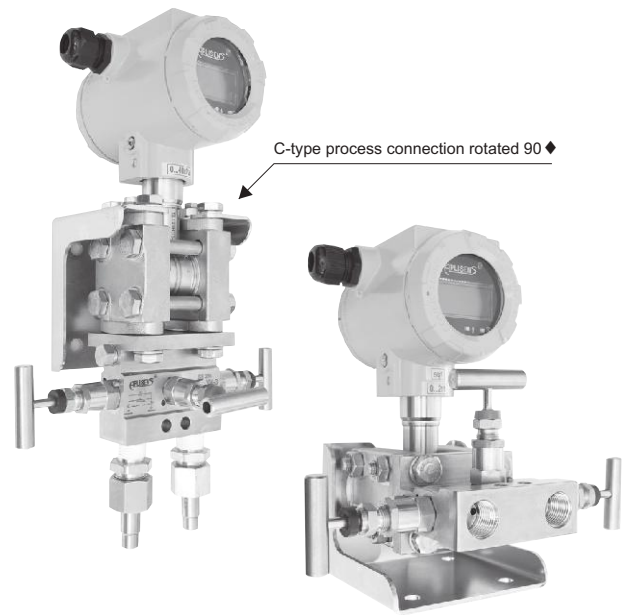
over 120°C – measurement with use an impulse line or diaphragm seals

up to 100°C - PED version

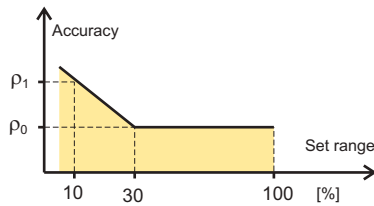
up to 100°C - version for 413bar static pressure

up to 80°C - version for 700bar static pressure

CAUTION: the medium must not be allowed to freeze in the impulse line or close to the process connection of the transmitter



Accuracy depending on the set range



ρ_0 – error for range 30...100% FSO

ρ_1 – error for range 10% FSO

$\rho_1 = 2 \times \rho_0$

Numerical error values are given in the technical data under metrological parameters

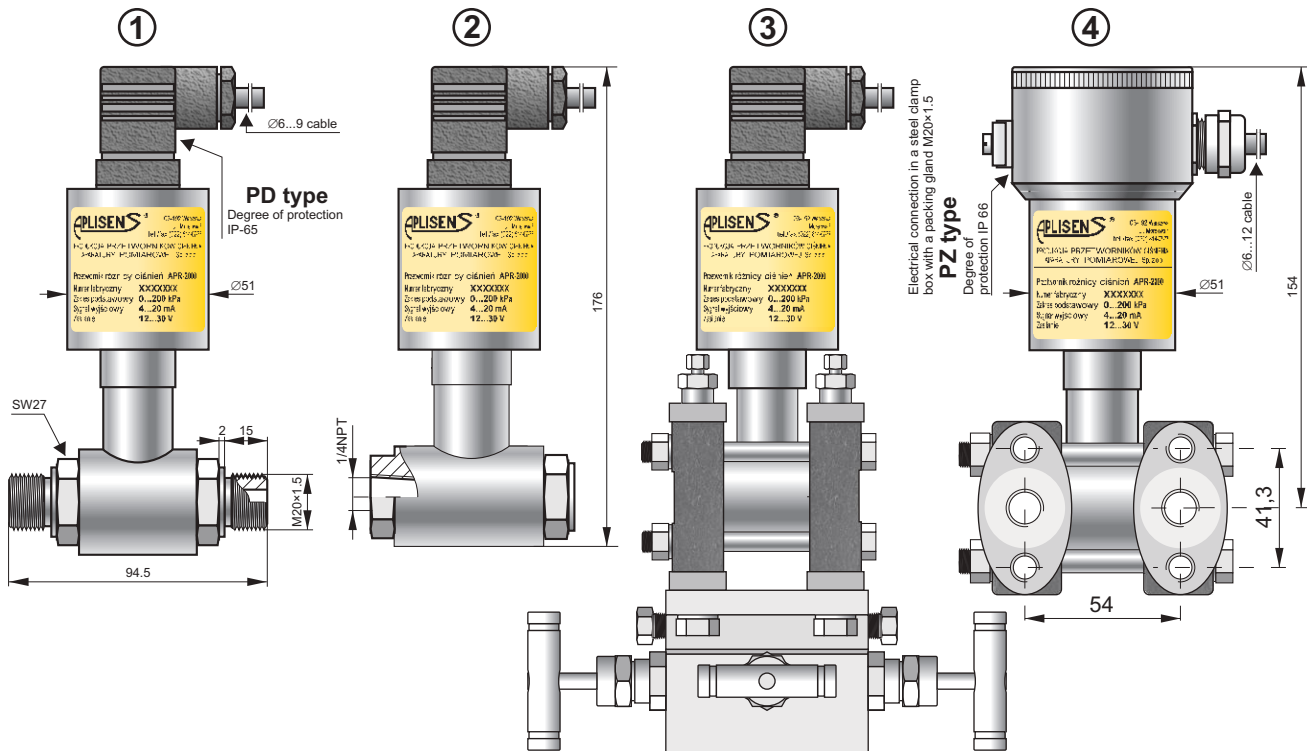
Ordering procedure

Model	Code	Description		
APR-2000		Smart differential pressure transmitter		
Casing, output signal	/ALW.....	Aluminum housing, IP66 with display, output 4-20mA + Hart		
	/ALW/SS.....	Stainless steel housing, IP66, with display, output 4-20mA + Hart		
II 1/2G Ex ia IIC T4/T5 Ga/Gb more than one option is available	/Exia.....	II 1/2G Ex ia IIC T4/T5 Ga/Gb IECEX Ex ia IIC T4/T5 Ga/Gb		
	/Exia (Da).....	II 1/2G Ex ia IIC T4/T5 Ga/Gb II 1D Ex ia IIIC T105°C Da I M1 Ex ia I Ma (version with SS housing) Ex ia IIC T4/T5 Ga/Gb IECEX Ex ia IIIC T105°C Da Ex ia I Ma (version with SS housing)		
	/Exd.....	II 1/2G Ex ia/db IIC T6/T5 Ga/Gb II 1/2D Ex ia/tb IIIC T85°C/T100°C Da/Db I M2 Exd ia I Mb (version with SS housing) Ex ia/db IIC T6/T5 Ga/Gb IECEX Ex ia/tb IIIC T85°C/T100°C Da/Db Ex db ia I Mb (version with SS housing)	} Packing gland available on request	
	/Exd (2G).....	II 2G Ex ia/db IIC T6/T5 Gb II 2D Ex ia/tb IIIC T85°C/T100°C Db IECEX Ex ia/db IIC T6/T5 Gb Ex ia/tb IIIC T85°C/T100°C Db		
	/SA.....	Surge arrester for Exia version		
	/Safety.....	SIL2 - Functional Safety certificate according to PN-EN 61508-1:2010; PN-EN 61508-2:2010; PN-EN 61508-3:2010; PN-EN 61511-1:2007; PN-EN 62061:2008+A1		
	/PED.....	European Pressure Equipment Directive N° 97/23/EC, category IV		
	/HS.....	Ultra stable version (only ranges no. 2, 4+10)		
	/0,05%.....	Accuracy ≤ ±0,05%		
	/MR.....	Marine certificate – DNV, BV		
	/Tlen.....	For oxygen service (sensor filled with Fluorolube fluid)		
	/320 bar.....	Static pressure 320 bar, only for C process connection, not available in PED version		
	/413 bar.....	Static pressure 413 bar, only for C process connection, not available in PED version		
/700 bar.....	Static pressure 700 bar, only for C process connection, not available in PED version			
/IP67.....	Execution on request – please consult availability with manufacturer			
/NACE.....	Protection class IP67			
		NACE MR-01-75 certificate (process connections: C)		
Nominal measuring ranges	/0+70 bar.....	Range	Min. set range	
	/0+16 bar.....	0+70 bar (0+7000 kPa)	7 bar (700 kPa)	
	/0+2,5 bar.....	0+16 bar (0+1600 kPa)	1,6 bar (160 kPa)	
	/0+1 bar.....	0+2,5 bar (0+250 kPa)	0,2 bar (20 kPa)	
	/0+0,25 bar.....	0+1 bar (0+100 kPa)	50 mbar (5 kPa)	
	/-0,5+0,5 bar.....	0+0,25 bar (0+25 kPa)	10 mbar (1 kPa)	
	/-0,1+0,1 bar.....	-0,5+0,5 bar (50+50 kPa)	0,1 bar (10 kPa)	
	/-5+70 mbar.....	-0,1+0,1 bar (-10+10 kPa)	10 mbar (1 kPa)	
	/-25+25 mbar.....	-5+70 mbar (0,5+7 kPa)	4 mbar (0,4 kPa)	
/-7+7 mbar.....	-25+25 mbar (-2,5+2,5 kPa)	2 mbar (0,2 kPa)		
	-7+7 mbar (-0,7+0,7 kPa)	1 mbar (0,1 kPa)		
Measuring set range	/...+... [required units]	Calibrated range in relation to 4mA and 20mA output		
Process connections	/C.....	Thread 1/4NPT F on the cover flanges cover flanges material SS316. Allows mounting with a valve manifold. Process connection of cover flange: M10 (option /C(7/16) - 7/16"UNF acc. to IEC 61518)		
	/CR.....	C-type process connection rotated 90°		
	/P.....	Thread M20x1,5 (male)		
	/PN.....	Thread 1/4"NPT (female)		
	/code of diaphragm seal.....	Diaphragm seal (see chapter of diaphragm seals) mounted on Hi side of transmitter, Lo side 1/4NPT Female		
Material of diaphragms (refers only to C, CR, P, PN process connection)	(without marking).....	Diaphragms material SS316L		
	/H.....	Diaphragms material Hastelloy C276 (all wetted parts in Hastelloy C276 on request)		
Gasket (refers only to C, CR process connection)	(without marking).....	Gold plated diaphragms (not available for transmitters in HS version)		
	/NBR.....	FPM Viton		
	/PTFE.....	NBR		
Electrical connection	(without marking)	PTFE		
	/US.....	Packing gland M20x1,5 Thread 1/2"NPT Female		
Accessories	/C-2".....	Mounting bracket for 2" pipe (to C process conn.), mat. zincd steel		
	/C-2"(SS).....	Mounting bracket for 2" pipe (to C process conn.), mat. Stainless Steel		
	/C-2"B.....	Mounting bracket for 2" pipe (to C(7/16) process conn.), mat. zincd steel		
	/C-2"B(SS).....	Mounting bracket for 2" pipe (to C(7/16) process conn.), mat. Stainless Steel		
	/FI25.....	Mounting bracket for 1" pipe (to P process conn.), mat. Stainless Steel		
	/RedSpaw P.....	Connector to weld impulse pipes dia. 12 and 14 mm, material 15HM(SO) or SS316(S). Only process connection P type		
	/RedSpaw C.....	Connector to weld impulse pipes dia. 12 and 14 mm, material 15HM. Only process connection C type.		
Other specification	/Red d/P 1/2"...	Adapter for differential pressure transmitters with C type process connection, output thread 1/2NPT F. Material SS316L		
	/ST.....	Stainless Steel plate fixed to the housing		
	/MT.....	Stainless Steel Tag plate mounted on wire		
	/I.....	Description of required parameters (e.g. IP66/67)		

SMART DIFFERENTIAL PRESSURE TRANSMITTER APRE-2000



- ✓ 4...20 mA output signal + HART protocol
- ✓ ATEX Intrinsic safety
- ✓ Static pressure limit up to 413 bar
- ✓ Accuracy 0.1%
- ✓ Gold plated diaphragms (Au)
- ✓ Wetted parts material 316L/Hastelloy C276



- 1) Transmitter APRE-2000PD version with **P type** process connection; 2) Transmitter APRE-2000PD version with **PN type** process connection; 3) Transmitter APRE-2000PD – version with **type C** process connection rotated 90°; 4) Transmitter APRE-2000PD – version with **type C** process connection

Application and construction

The APRE-2000 transmitter is applicable to the measurement of differential pressure of gases, vapors and liquids. The active element is a piezoresistant silicon sensor separated from the medium by separating diaphragms and a specially selected type of manometric fluid. The special design of the active sensing element ensures that it is able to withstand pressure surges and overloads of up to 250, 320 or 413 bar. Electronics in the casing with a degree of protection IP65, IP66.

Communication and configuration

The communication standard for data interchange with the transmitter is the HART protocol.

Communication with the transmitter is carried out with:

- ◆ a KAP-03 communicator,
- ◆ some other HART type communicators ,(*)
- ◆ a PC with the HART/USB converter and Aplisens RAPORT 2 configuration software.

(*) .eddl files available on www.aplisens.com

The data interchange with the transmitter enables user to:

- ◆ identify the transmitter;
- ◆ configure the output parameters:
 - measurement units and values of the start and end-points of the measuring range;
 - damping time-constant;
 - conversion characteristic (inversion, user's non-linear characteristic);
- ◆ read the currently measured pressure value of the output current and the percentage output control level;
- ◆ force an output current with a set value;
- ◆ calibrate the transmitter in relation to model pressure.

Installation

The transmitter with **P type** process connection is not heavy, so it can be fitted directly onto impulse lines. For fitting in any desired position on a $\varnothing 25$ pipe an Aplsens mounting bracket (**Fi 25 mounting bracket**, see page IV/ 5) is recommended.

The version with **C type** process connections can be fitted directly to a 3- or 5-valve manifold. We recommend factory-mounted transmitters with VM type valve manifold (see page IV/ 2). A transmitter without a valve manifold can be fitted in any position on a 2" pipe or on a wall using the **C-2" mounting bracket** (see page IV/ 5).

When the special process connections are required for the level measurement of media in closed tanks (e.g. in the sugar and chemical industries) the transmitter is fitted with an Aplsens diaphragm seal. Sets of differential pressure transmitters with diaphragm seals are described in detail presented in the further part of the catalogue.

Measuring ranges

No.	Nominal measuring range (FSO)	Minimum set range	Rangeability	Overpressure limit/ static pressure limit
1	0...70 bar (0...7 MPa)	7 bar (700 kPa)	10:1	exception: 70 bar for P type
2	0...16 bar * (0...1,6 MPa)	1,6 bar (160 kPa)	10:1	C-type: 250 / 320 / 413 bar (250 bar for PED version) P-type: 40 bar (for range no. 1: 70bar)
3	0...2,5 bar (0...250 kPa)	0,2 bar (20 kPa)	12,5:1	
4	0...1 bar * (0...100 kPa)	50 mbar (5k Pa)	20:1	
5	0...0,25 bar * (0...25 kPa)	10 mbar (1k Pa)	25:1	
6	-0,5...0,5 bar * (-50...50 kPa)	0,1 bar (10 kPa)	10:1	
7	-100...100 mbar * (-10...10 kPa)	10 mbar (1 kPa)	20:1	C-type: 200 bar (10 bar for PED version); P-type: 40bar
8	-5...70 mbar * (-0,5...7 kPa)	4 mbar (0,4 kPa)	18:1	
9	-25...25 mbar * (-2,5...2,5 kPa)	2 mbar (0,2 kPa)	25:1	
10	-7...7 mbar ** (-700...700 Pa)	1 mbar (0,1 kPa)	14:1	20 bar

* available also in HS version
** available only in HS version;

Technical data

Metrological parameters

Accuracy $\leq \pm 0,1\%$ of calibrated range
Long term stability \leq accuracy for 3 years
 (for the nominal measuring range) $\leq 2 \times$ accuracy for 5 years
 HS version: \leq accuracy for 6 years
 or $\leq 2 \times$ accuracy for 10 years
Thermal error $< \pm 0,08\%$ (FSO) / 10°C
 max. $\pm 0,3\%$ (FSO) in the whole compensation range
Thermal compensation range -25...80°C
Zero shift error for static pressure
 0,01% (FSO) / 10 bar for ranges no. 3, 4, 5, 6, 7, 9
 0,03% (FSO) / 10 bar for range no. 8
 0,06% (FSO) / 10 bar for ranges no. 1, 2
 0,01% (FSO) / 10 bar for ranges no. 2, 8 in HS version
 0,02% (FSO) / 10 bar for range no. 10
 Zeroing the transmitter in conditions of static pressure can eliminate this error.
Response time 16...230ms (programmable)
Additional electronic damping 0...60 s
Error due to supply voltage changes 0,002% (FSO) / V

Electrical parameters

Power supply 7,5...55 VDC (Ex ia 7,5...30 VDC)
Output signal 4...20 mA + HART
Load resistance $R[\Omega] \leq \frac{U_{sup}[V] - 7,5V}{0,0225A}$
Resistance required for communication min. 240 Ω

Materials

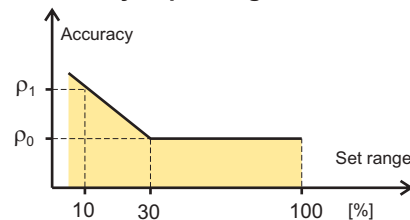
Wetted parts SS316L, Hastelloy C276
Diaphragms SS316L, Hastelloy C 276, Au
Casing SS304

Operating conditions

Operating temperature range (ambient temp.) -25...85°C
 Exi a version -25...80°C
Medium temperature range -25...120°C
 over 120°C – measurement with use an impulse line or diaphragm seals
 up to 100°C - PED version
 up to 100°C – version for 413bar static pressure

CAUTION: the medium must not be allowed to freeze in the impulse line or close to the process connection of the transmitter

Accuracy depending on the set range



ρ_0 – error for range 30...100% FSO
 ρ_1 – error for range 10% FSO
 $\rho_1 = 2 \times \rho_0$
 Numerical error values are given in the technical data under metrological parameters

Ordering procedure

Model	Code	Description
APRE-2000		Smart differential pressure transmitter
Casing, output signal, electrical connection	/PD.....	Housing IP65 with DIN EN 175301-803 connector, without display, output 4-20mA + Hart
	/PZ.....	304SS housing, IP66, without display, output 4-20mA + Hart
Versions, certificates more than one option is available	/Exia.....	II 1/2G Ex ia IIC T4/T5/T6 Ga/Gb II 1D Ex ia IIIC T110°C Da I M1 Ex ia I Ma Exia for HS version available from Q4/2016
	/PED.....	European Pressure Equipment Directive N° 97/23/EC, category IV
	/HS.....	Ultra stable version (only ranges no. 4+10)
	/Tlen.....	For oxygen service (sensor filled with Fluorolube fluid)
	/320 bar.....	Static pressure 320 bar, only for C process connection, not available in PED version
	/413 bar.....	Static pressure 413 bar, only for C process connection, not available in PED version
Nominal measuring range	/0+70 bar.....	Range: 0+70 bar (0+7000 kPa) Min. set range: 7 bar (700 kPa)
	/0+16 bar.....	0+16 bar (0+1600 kPa) 1,6 bar (160 kPa)
	/0+2,5 bar.....	0+2,5 bar (0+250 kPa) 0,2 bar (20 kPa)
	/0+1 bar.....	0+1 bar (0+100 kPa) 50 mbar (5 kPa)
	/0+0,25 bar.....	0+0,25 bar (0+25 kPa) 10 mbar (1 kPa)
	/-0,5+0,5 bar.....	-0,5+0,5 bar (50+50 kPa) 0,1 bar (10 kPa)
	/-0,1+0,1 bar.....	-0,1+0,1 bar (-10+10 kPa) 10 mbar (1 kPa)
	/-5+70 mbar.....	-5+70 mbar (0,5+7 kPa) 4 mbar (0,4 kPa)
	/-25+25 mbar.....	-25+25 mbar (-2,5+2,5 kPa) 2 mbar (0,2 kPa)
	/-7+7 mbar.....	-7+7 mbar (-0,7+0,7 kPa) 1 mbar (0,1 kPa)
Measuring set range	/...+... [required units]	Calibrated range in relation to 4mA and 20mA output
Process connections	/C.....	Thread 1/4NPT F on the cover flanges cover flanges material SS316. Allows mounting with a valve manifold. Process connection of cover flange: M10 (option /C(7/16) - 7/16"UNF acc. to IEC 61518)
	/CR.....	C-type process connection rotated 90°
	/P.....	Thread M20x1,5 (male)
	/PN.....	Thread 1/4"NPT (female)
	/code of diaphragm seal.....	Diaphragm seal (see chapter of diaphragm seals) mounted on Hi side of transmitter, Lo side 1/4NPT Female
Material of diaphragms (refers only to C, CR, P, PN process connection)	(without marking).....	Diaphragms material SS316L
	/H.....	Diaphragms material Hastelloy C276 (all wetted parts in Hastelloy C276 on request)
	/Au.....	Gold plated diaphragms (not available for transmitters in HS version)
Gasket (refers only to C, CR process connection)	(without marking).....	FPM Viton
	/NBR.....	NBR
	/PTFE.....	PTFE
Electrical connection	(without marking)	Packing gland M20x1,5
	/US.....	Thread 1/2"NPT Female
Accessories	/C-2".....	Mounting bracket for 2" pipe (to C process conn.), mat. zinced steel
	/C-2"(SS).....	Mounting bracket for 2" pipe (to C process conn.), mat. Stainless Steel
	/C-2"B.....	Mounting bracket for 2" pipe (to C(7/16) process conn.), mat. zinced steel
	/C-2"B(SS).....	Mounting bracket for 2" pipe (to C(7/16) process conn.), mat. Stainless Steel
	/FI25.....	Mounting bracket for 1" pipe (to P process conn.), mat. Stainless Steel
	/RedSpaw P.....	Connector to weld impulse pipes dia. 12 and 14 mm, material 15HM(SO) or SS316(S). Only process connection P type
	/RedSpaw C.....	Connector to weld impulse pipes dia. 12 and 14 mm, material 15HM. Only process connection C type.
	/Red d/P 1/2"....	Adapter for differential pressure transmitters with C type process connection, output thread 1/2NPT F. Material SS316L
Other specification	/.....	Description of required parameters

Example 1: Differential pressure transmitter, output 4..20mA + HART, version Exia, static pressure 320bar, nominal measuring range 0..2bar, calibrated range 0..1,6bar, process connection C, stainless steel housing, mounting bracket for 2" pipe

APRE-2000PZ/Exia/320bar/0..2bar/0..1,6bar/C/C-2"

Example 2: Differential pressure transmitter, output 4..20mA + HART, nominal measuring range 0..1bar, calibrated range 0..1bar, process connection flange diaphragm seal DN80PN40, electrical connection with DIN EN 175301-803 connector.

APRE-2000PD/0..1bar/0..1bar/S-P DN80PN40

Note: Differential pressure transmitter APRE-2000 with two diaphragm seals is offered as a model APRE-2200ALW.

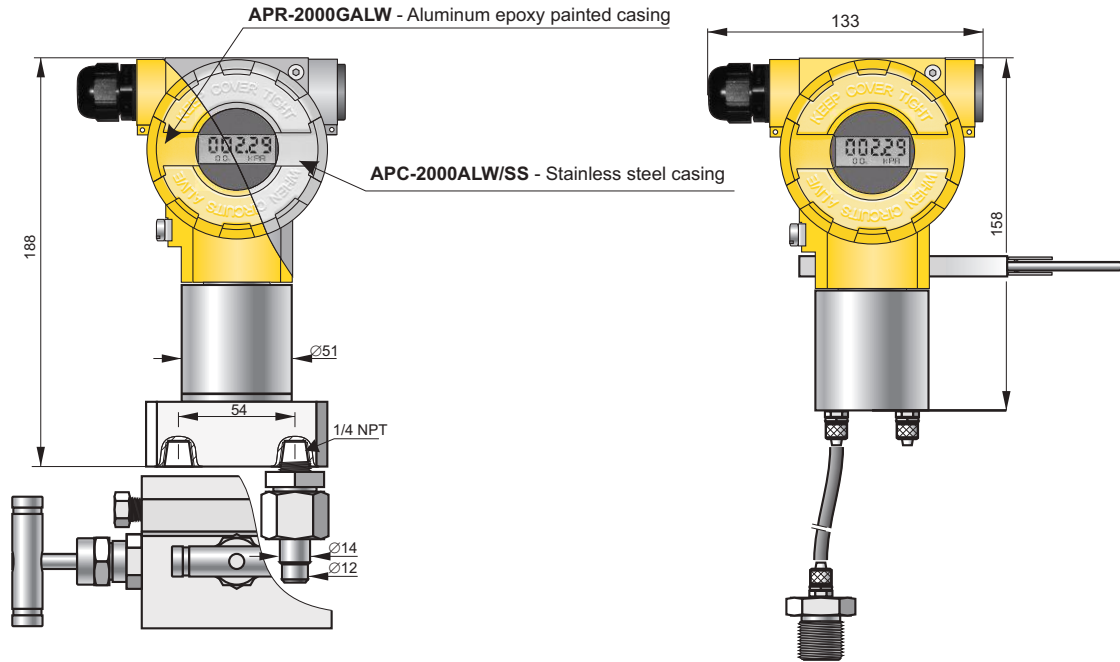
SMART DIFFERENTIAL PRESSURE TRANSMITTER

for low ranges APR-2000GALW



min. range
0.2 mbar

- ✓ 4...20 mA output signal + HART protocol
- ✓ Display with backlight
- ✓ Programmable range, zero shift, damping ratio and characteristic with local panel keys
- ✓ Selectable linear or radical conversion characteristic
- ✓ Accuracy from 0,1%
- ✓ Intrinsic safety certificate (ATEX, IECEx)



APR-2000GALW Industrial Version,
C type process connector to be mounted along with a valve manifold

APR-2000GALW Economic Version,
process connection with terminal connecting to Ø6 pipe (PCV type)

Application

The APR-2000GALW transmitter is applicable to the measurement of differential pressure of gases. Typical applications include the measurement of blast pressure, chimney draughts or pressure / underpressure in furnace chambers. The ability to select the radical conversion characteristics enables the transmitter to be used in gas-flow measurement systems using reducing pipes or other impeding elements. The transmitter can withstand overpressure up to 1 bar. The housing of the electronic circuit has the degree of protection IP66/IP67.

Configuration, calibration

The following metrological parameters can be configured:

- ◆ The units of pressure,
- ◆ Start and end-points of measuring range, damping time constant,
- ◆ Conversion characteristic (radical, inversion, user's non-linear characteristic).

Ability to calibrate the transmitter with reference to a standard pressure.

Communication

Communication with the transmitter is carried out with a KAP-03 communicator, some other Hart communicators or a PC with an Hart/USB converter and RAPORT 2 configuration software.

Additionally, the data interchange with the transmitter enables the users to identify the transmitter, read the currently measured pressure difference value, output current and percentage of measuring range.

Installation

The economical version can be mounted on any stable construction using the mounting bracket. The transmitter's connection shanks have terminals to be connected to the elastic Ø6×1 impulse line. Where the pulse comes through a metal pipe, we suggest an M20×1.5 adapter for a Ø6×1 fitting using.

The transmitter with a C type connector should be mounted on a 3- or 5-valve manifold. We recommend use VM type valves (page IV/ 2).

Operating guidelines

The transmitter should be mounted in a vertical position. The impulse lines should be connected in such a way that any condensed liquids flew off away from the device.

Where there is a significant difference in height between the place where the transmitter is mounted and the place where the pulse is taken, the measurement may vary with the temperature of the impulse line. Connecting a compensating pipe close to the impulse line, from the transmitter's reference connection shank to the height at which the impulse is taken can minimise this effect.

To prevent dust from entering the measuring cells, the impulse lines should be attached with care, with particular attention to the tightness of the connections between the impulse lines and the transmitter.

Measuring ranges

Nominal measuring range (FSO)	Minimum set range	Overpressure limit	Static pressure limit
0...25 mbar (0...2500 Pa)	1 mbar (100 Pa)	1 bar	350 mbar
-2,5...2,5 mbar (-250...250 Pa)	0,2 mbar (20 Pa)	350 mbar	350 mbar
-7...7 mbar (-700...700 Pa)	1 mbar (100 Pa)	350 mbar	350 mbar
-25...25 mbar (-2500...2500 Pa)	5 mbar (500 Pa)	1 bar	1 bar
-100...100 mbar (-10...10 kPa)	20 mbar (2 kPa)	1 bar	1 bar

Meteorological parameters

Nominal range	0...25 mbar	-2,5...2,5 mbar	-7...7 mbar	-25...25 mbar	-100...100 mbar
Accuracy	≤ ±0,075%	≤ ±0,25%	≤ ±0,1%	≤ ±0,1%	≤ ±0,075%

Thermal error < ±0,1% (FSO) / 10°C
max. ±0,4% (FSO) in the whole compensation range

Thermal compensation range -10...70°C

Additional electronic damping 0...30 s

Error due to supply voltage changes 0,002% (FSO) / V

Electrical parameters

Power supply 10...55 VDC (Exia 10,5...30 VDC)

Output signal 4...20 mA + HART

Load resistance (for standard version) $R[\Omega] \leq \frac{U_{\text{supl}}[\text{V}] - 10\text{V}}{0,0225\text{A}}$

Resistance required for communication min. 240 Ω

Operating conditions

Operating temperature range (ambient temp.) -30...85°C

Materials

Casing Aluminium
option: 316ss
adapter C type, 304ss
adapter PCV type (on Ø6 elastic pipe) brass

Ordering procedure

Model	Code		Description												
APR-2000G			Smart differential pressure transmitter												
Casing, output signal	/ALW.....		Aluminum housing, IP66, with display, output 4-20mA + Hart												
	/ALW/SS.....		Stainless steel housing, IP66, with display, output 4-20mA + Hart												
Versions, certificates	/Exia.....		II 1/2G Ex ia IIC T4/T5 Ga/Gb IECEX Ex ia IIC T4/T5 Ga/Gb												
	/Exia (Da).....		II 1/2G Ex ia IIC T4/T5 Ga/Gb II 1D Ex ia IIC T105°C Da I M1 Ex ia I Ma (version with SS housing) IECEX Ex ia IIC T4/T5 Ga/Gb Ex ia IIC T105°C Da Ex ia I Ma (version with SS housing)												
	/SA.....		Surge arrester for Exia version												
	/IP67.....		Protection class IP67												
Nominal measuring range	/0+25 mbar.....		<table border="1"> <thead> <tr> <th>Range</th> <th>Min. set range</th> </tr> </thead> <tbody> <tr> <td>0+25 mbar (0+2500 Pa)</td> <td>1mbar (100 Pa)</td> </tr> <tr> <td>-2.5+2.5mbar (250+250 Pa)</td> <td>0,2 mbar (20 Pa)</td> </tr> <tr> <td>-7+7 mbar (700+700 Pa)</td> <td>1mbar (100 Pa)</td> </tr> <tr> <td>-25+25 mbar (2500+2500 Pa)</td> <td>5mbar (500 Pa)</td> </tr> <tr> <td>-100+100 mbar (10+10 kPa)</td> <td>20mbar (2 kPa)</td> </tr> </tbody> </table>	Range	Min. set range	0+25 mbar (0+2500 Pa)	1mbar (100 Pa)	-2.5+2.5mbar (250+250 Pa)	0,2 mbar (20 Pa)	-7+7 mbar (700+700 Pa)	1mbar (100 Pa)	-25+25 mbar (2500+2500 Pa)	5mbar (500 Pa)	-100+100 mbar (10+10 kPa)	20mbar (2 kPa)
	Range	Min. set range													
	0+25 mbar (0+2500 Pa)	1mbar (100 Pa)													
	-2.5+2.5mbar (250+250 Pa)	0,2 mbar (20 Pa)													
	-7+7 mbar (700+700 Pa)	1mbar (100 Pa)													
-25+25 mbar (2500+2500 Pa)	5mbar (500 Pa)														
-100+100 mbar (10+10 kPa)	20mbar (2 kPa)														
/-2,5+2,5 mbar.....															
/-7+7 mbar.....															
/-25+25 mbar.....															
/-100+100 mbar.....															
Measuring set range	/...+... [required units]		Calibrated range in relation to 4mA and 20mA output												
Process connections	/PCV.....		Process connection with terminal connecting for Ø6mm elastic pipe.												
	/C.....		Thread 1/4 NPT F on cover flange. Material of cover flange 304Lss. Allows mounting with a valve manifold.												
Electrical connection	(without marking)		Packing gland M20x1,5												
	/US.....		Thread 1/2"NPT Female												
Accessories	/AL.....		Mounting bracket type AL for 2" pipe, material zinc steel												
	/AL(SS).....		Mounting bracket type AL for 2" pipe, material stainless steel												
	/M20x1,5/Ø6.....		Adapters from Ø 6mm elastic pipe for M20x1,5 M thread (only version with PCV process connection)												
	/RedSpaw C.....		Connector to weld impulse pipes dia. 12 and 14 mm, material 15HM. (only version with process connection C type)												
	/+VM-3/A.....		Assembled with a 3-way valve manifold (further specification of manifold - see data sheet) . Only version with C type process connection.												
	/+VM-5/A.....		Assembled with a 5-way valve manifold (further specification of manifold - see data sheet) . Only version with C type process connection.												
Other specification	/ST.....		Stainless Steel plate fixed to the housing												
	/MT.....		Stainless Steel Tag plate mounted on wire												
	/.....		Description of required parameters (e.g. IP66/67)												

Example 1: Differential pressure transmitter with display, nominal range -7+7mbar, set range -0,5+1mbar, PV type process connection, two additional M20x1,5/Ø6x1 adapters.

APR-2000GALW/-7+7mbar/-0,5+1mbar/PCV/2xM20x1,5/Ø6x1

Example 2: Differential pressure transmitter with display, nominal range 0+25mbar, set range 0+4 mbar, C type process connection, mounted with a 3mounted with a 3-way valve manifold.

APR-2000GALW/ 0+25mbar/0+4mbar/C/VM-3/A

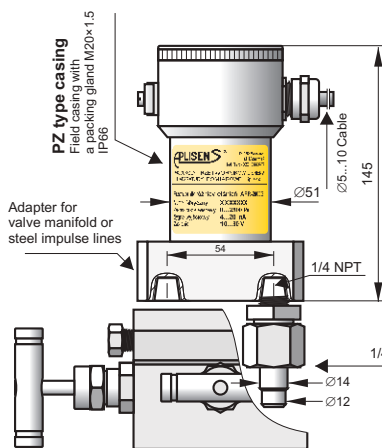
SMART DIFFERENTIAL PRESSURE TRANSMITTER

for low ranges APRE-2000G

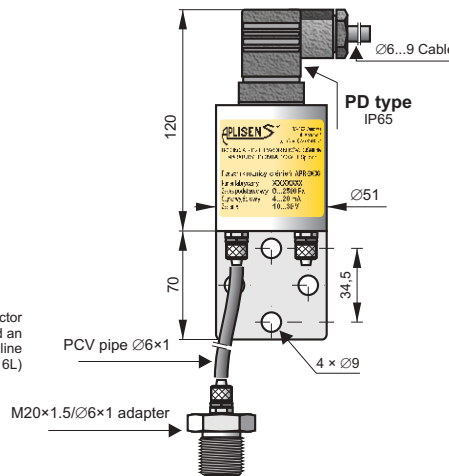


min. range
0.2 mbar

- ✓ Programmable range, zero shift, damping ratio and characteristic
- ✓ 4...20 mA output signal + HART protocol
- ✓ Accuracy from 0.1%
- ✓ ATEX Intrinsic safety (only APRE-2000G/PD, APRE-2000G/PZ)



APRE-2000G Industrial Version, C type process connector to be mounted along with a valve manifold an example with **PZ type** Electrical Connection



APRE-2000G Economic Version, process connection with terminal connecting to Ø6 pipe (**PCV type**). An example with **PD type** Electrical Connection



APRE-2000G/N wall-mounted version with display and local keys allowing programming, process connection **PCV type**. Dimensions: width: 80, height: 110, depth: 67

Application

The APRE-2000G transmitter is applicable to gases, to the measurements of their pressure, underpressure and differential pressure. Typical applications include the measurement of blast pressure, chimney draughts or pressure / underpressure in furnace chambers. The ability to select the radical conversion characteristics enables the transmitter to be used in gas-flow measurement systems using reducing pipes or other impeding elements. The transmitter can withstand overpressure up to 1 bar. The housing of the electronic circuit has the degree of protection IP65, IP66, IP67.

Configuration, calibration

The following metrological parameters can be configured:

- ◆ The units of pressure,
- ◆ Start and end-points of measuring range, damping time constant,
- ◆ Conversion characteristic (radical, inversion, user's non-linear characteristic).

Ability to calibrate the transmitter with reference to a standard pressure.

Communication

Communication with the transmitter is carried out with a KAP-03 communicator, some other Hart communicators or a PC with an HART/USB converter and RAPORT 2 configuration software.

Additionally, the data interchange with the transmitter enables the users to identify the transmitter, read the currently measured pressure difference value, output current and percentage of measuring range.

Installation

The economical version can be mounted on any stable construction using the assembly fixture with Ø9 opening. The transmitter's connection shanks have terminals to be connected to the elastic Ø6x1 impulse line. Where the pulse comes through a metal pipe, we suggest an M20x1.5 adapter for a Ø6x1 fitting using.

The transmitter with a C type connector should be mounted on a 3- or 5-valve manifold. We recommend to use our pre-assembled transmitters with VM type valves (page IV/ 2).

Operating guidelines

The transmitter should be mounted in a vertical position. The impulse lines should be connected in such a way that any condensed liquids flew off away from the device.

Where there is a significant difference in height between the place where the transmitter is mounted and the place where the pulse is taken, the measurement may vary with the temperature of the impulse line. Connecting a compensating pipe close to the impulse line, from the transmitter's reference connection shank to the height at which the impulse is taken can minimise this effect.

To prevent dust from entering the measuring cells, the impulse lines should be attached with care, with particular attention to the tightness of the connections between the impulse lines and the transmitter.

Measuring ranges

Nominal measuring range (FSO)	Minimum set range	Overpressure limit	Static pressure limit
0...25 mbar (0...2500 Pa)	1 mbar (100 Pa)	1 bar	350 mbar
-2,5...2,5 mbar (-250...250 Pa)	0,2 mbar (20 Pa)	350 mbar	350 mbar
-7...7 mbar (-700...700 Pa)	1 mbar (100 Pa)	350 mbar	350 mbar
-25...25 mbar (-2500...2500 Pa)	5 mbar (500 Pa)	1 bar	1 bar
-100...100 mbar (-10...10 kPa)	20 mbar (2 kPa)	1 bar	1 bar

Meterological parameters

Nominal range	0...25 mbar	-2,5...2,5 mbar	-7...7 mbar	-25...25 mbar	-100...100 mbar
Accuracy	≤ ±0,075%	≤ ±0,25%	≤ ±0,1%	≤ ±0,1%	≤ ±0,075%

Technical data

Thermal error	< ±0,1% (FSO) / 10°C max. ±0,4% (FSO) in the whole compensation range
Thermal compensation range	-10...70°C
Additional electronic damping	0...30 s
Error due to supply voltage changes	0,002% (FSO) / V

Operating conditions

Operating temperature range (ambient temp.)	-30...85°C
	Exia version: -25...80°C
	APRE-2000G/N: -25...80°C

Electrical parameters

Power supply	
APRE-2000G/PD and PZ	7,5...55 VDC (Ex ia 7,5...30 VDC)
APRE-2000G/N	12...36 VDC
	(Additional voltage drop when display illumination switched on: 3V)
Output signal	4...20 mA + HART
Load resistance	$R[\Omega] \leq \frac{U_{sup}[V] - U^*}{0,0225A}$
U* -	APRE-2000G/PD and PZ: 7,5 VDC
	APRE-2000G/N: 12 VDC
Resistance required for communication	min. 240 Ω

Materials

APRE-2000G/PD and PZ:	
Casing	SS304
adapter C type	SS304
adapter PCV type (on Ø6 elastic pipe)	brass
APRE-2000G/N:	
Casing	plastic box

Ordering procedure

Model	Code	Description												
APRE-2000G		Smart differential pressure transmitter												
Certificates	/Exia.....	II 1/2G Ex ia IIC T4/T5/T6 Ga/Gb II 1D Ex ia IIC T110°C Da I M1 Ex ia I Ma												
Casing, output signal	/PD.....	Housing IP65 with DIN EN 175301-803 connector, without display, output 4-20mA + Hart												
	/PZ.....	304SS housing, IP66, without display, output 4-20mA + Hart												
	/N.....	Housing IP65, electrical connector PG-7 (ATEX version not available)												
Nominal measuring range	/0+25 mbar.....	<table border="1" style="width: 100%; border-collapse: collapse;"> <thead> <tr> <th style="width: 50%; text-align: center;">Range</th> <th style="width: 50%; text-align: center;">Min. set range</th> </tr> </thead> <tbody> <tr> <td style="text-align: center;">0+25 mbar (0+2500 Pa)</td> <td style="text-align: center;">1mbar (100 Pa)</td> </tr> <tr> <td style="text-align: center;">-2.5+2.5mbar (250+250 Pa)</td> <td style="text-align: center;">0,2 mbar (20 Pa)</td> </tr> <tr> <td style="text-align: center;">-7+7 mbar (700+700 Pa)</td> <td style="text-align: center;">1mbar (100 Pa)</td> </tr> <tr> <td style="text-align: center;">-25+25 mbar (2500+2500 Pa)</td> <td style="text-align: center;">5mbar (500 Pa)</td> </tr> <tr> <td style="text-align: center;">-100+100mbar (10+10 kPa)</td> <td style="text-align: center;">20mbar (2 kPa)</td> </tr> </tbody> </table>	Range	Min. set range	0+25 mbar (0+2500 Pa)	1mbar (100 Pa)	-2.5+2.5mbar (250+250 Pa)	0,2 mbar (20 Pa)	-7+7 mbar (700+700 Pa)	1mbar (100 Pa)	-25+25 mbar (2500+2500 Pa)	5mbar (500 Pa)	-100+100mbar (10+10 kPa)	20mbar (2 kPa)
	Range	Min. set range												
	0+25 mbar (0+2500 Pa)	1mbar (100 Pa)												
	-2.5+2.5mbar (250+250 Pa)	0,2 mbar (20 Pa)												
	-7+7 mbar (700+700 Pa)	1mbar (100 Pa)												
-25+25 mbar (2500+2500 Pa)	5mbar (500 Pa)													
-100+100mbar (10+10 kPa)	20mbar (2 kPa)													
/-2,5+2,5 mbar.....														
/-7+7 mbar.....														
/-25+25 mbar.....														
/-100+100 mbar.....														
Measuring set range	/..... [required units]	Calibrated range in relation to 4mA and 20mA output												
Process connections	/PCV.....	Process connection with terminal connecting for Ø6mm elastic pipe. Mounting bracket for wall mounting is a standard.												
	/C.....	Thread 1/4 NPT F on cover flange. Material of cover flange 304ss. Allows mounting with a valve manifold.												
Accessories	/M20x1,5/Ø6.....	Adapter from Ø 6mm elastic pipe for M20x1,5 M thread (only version with PCV process connection)												
	/RedSpaw C.....	Connector to weld impulse pipes dia. 12 and 14 mm, material 15HM. (only version with process connection C type)												
	/+VM-3/A.....	Assembled with a 3-way valve manifold (further specification of manifold - see data sheet) . Only version with C type process connection.												
	/+VM-5/A.....	Assembled with a 5-way valve manifold (further specification of manifold - see data sheet) . Only version with C type process connection.												
Other specification	/.....	Description of required parameters												

Example 1: Differential pressure transmitter , nominal measuring range -7...7mbar, stainless steel casing, calibrated 0,5..1mbar, process connection PCV to elastic pipe Ø6mm plus two adapters from elastic pipe Ø6mm for M20x1.5 M thread

APRE-2000G/PZ/-7...7mabr/-0,5...1mbar/PCV/M20x1,5/Ø6mm (x2)

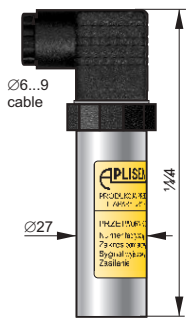
Example 2: Differential pressure transmitter , nominal measuring range -7...7mbar, calibrated 0...7mbar process connection PCV to elastic pipe Ø6mm, wall mounted version

APRE-2000G/N/-7...7mabr/0...7mbar/PCV

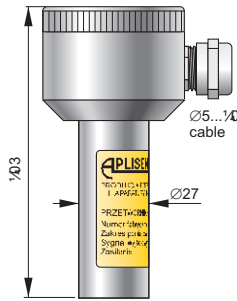
SMART DIFFERENTIAL PRESSURE TRANSMITTER PRE-28.SMART



- ✓ 4...20 mA output signal + HART protocol
- ✓ Intrinsic safety certificate (ATEX, IECEx)
- ✓ Static pressure limit up to 413 bar
- ✓ Accuracy 0,1%
- ✓ Gold plated diaphragms (Au)
- ✓ Wetted parts material 316L/Hastelloy C276
- ✓ Marine certificate DNV, BV



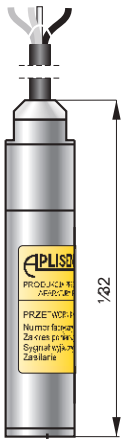
PD type
IP65



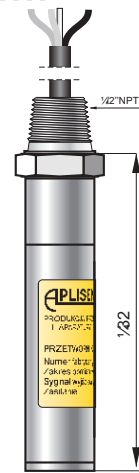
PZ type
PZ316 type
IP66



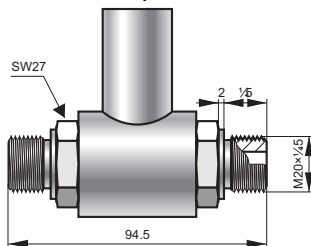
PM12 type
IP67



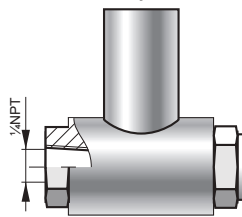
SG type
IP68



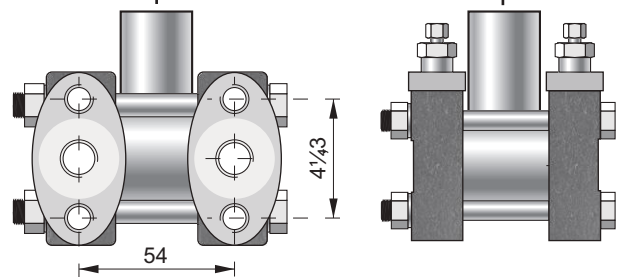
SGM type
IP68



P type process connection



PN type process connection



C and CR type process connection to mount with a valve manifold

Measuring ranges

No.	Nominal measuring range (FSO)	Minimum set range	Rangeability	Overpressure limit/ static pressure limit
1/4	0...70 bar (0...7 MPa)	7 bar (700 kPa)	10:1/4	exception: 70 bar for P type
2	0...1/6 bar (0...1/6 MPa)	1/6 bar (1/60 kPa)	10:1/4	C-type: 250 / 320 / 41/3 bar (250 bar for PED version) P-type 40 bar for
3	0...2,5 bar (0...250 kPa)	0,2 bar (20 kPa)	12,5:1/4	
4	0...1/4 bar (0...1/40 kPa)	50 mbar (5k Pa)	20:1/4	
5	0...0,25 bar (0...25 kPa)	1/10 mbar (1/10 kPa)	25:1/4	
6	-0,5...0,5 bar (-50...50 kPa)	0,1/4 bar (1/10 kPa)	10:1/4	
7	-1/100...1/100 mbar (-1/10...1/10 kPa)	1/10 mbar (1/4 kPa)	20:1/4	
8	-5...70 mbar (-0,5...7 kPa)	4 mbar (0,4 kPa)	18:1/4	
9	-25...25 mbar (-2,5...2,5 kPa)	2 mbar (0,2 kPa)	25:1/4	C-type: 20 bar (1/10 bar for PED version)

Technical data

Metrological parameters

Accuracy	≤ ±0,1% of calibrated range
Long-term stability (for the basic range)	≤ accuracy for 3 years
Thermal error	< ±0,08% (FSO) / 10°C max. ±0,3% (FSO) in the whole compensation range
Thermal compensation range	-25...80°C
Zero shift error for static pressure	0,01% (FSO) / 1/10 bar for ranges no. 3, 4, 5, 6, 7, 9 0,03% (FSO) / 1/10 bar for range no. 8 0,06% (FSO) / 1/10 bar for ranges no. 1/4, 2 Zeroing the transmitter in conditions of static pressure can eliminate this error.
Response time	1/6...230ms (programmable)
Additional electronic damping	0...30 s
Error due to supply voltage changes	0,002% (FSO) / V

Materials

Wetted parts	SS316L, Hastelloy C276
Diaphragms	SS316L, Hastelloy C 276, Au
Casing:	SS304 Optional: SS316

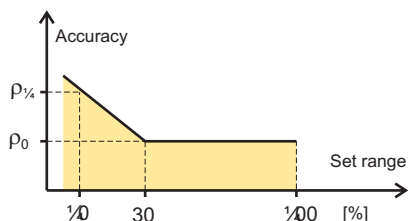
Operating conditions

Operating temperature range (ambient temp.)	-25...85°C Exia version -25...80°C
Medium temperature range	-25...120°C over 120°C – measurement with use an impulse line or diaphragm seals up to 100°C – version for 41/3bar static pressure CAUTION: the medium must not be allowed to freeze in the impulse line or close to the process connection of the transmitter

Electrical parameters

Power supply	7,5...55 VDC (Ex ia 7,5...28 VDC)
Output signal	4...20 mA + HART
Load resistance	$R[\Omega] \leq \frac{U_{sup}[V] - 7,5V}{0,0225A}$
Resistance required for communication	min. 240 Ω

Accuracy depending on the set range



ρ_0 – error for range 30...100% FSO
 $\rho_{1/4}$ – error for range 1/10% FSO
 $\rho_{1/4} = 2 \times \rho_0$
 Numerical error values are given in the technical data under metrological parameters

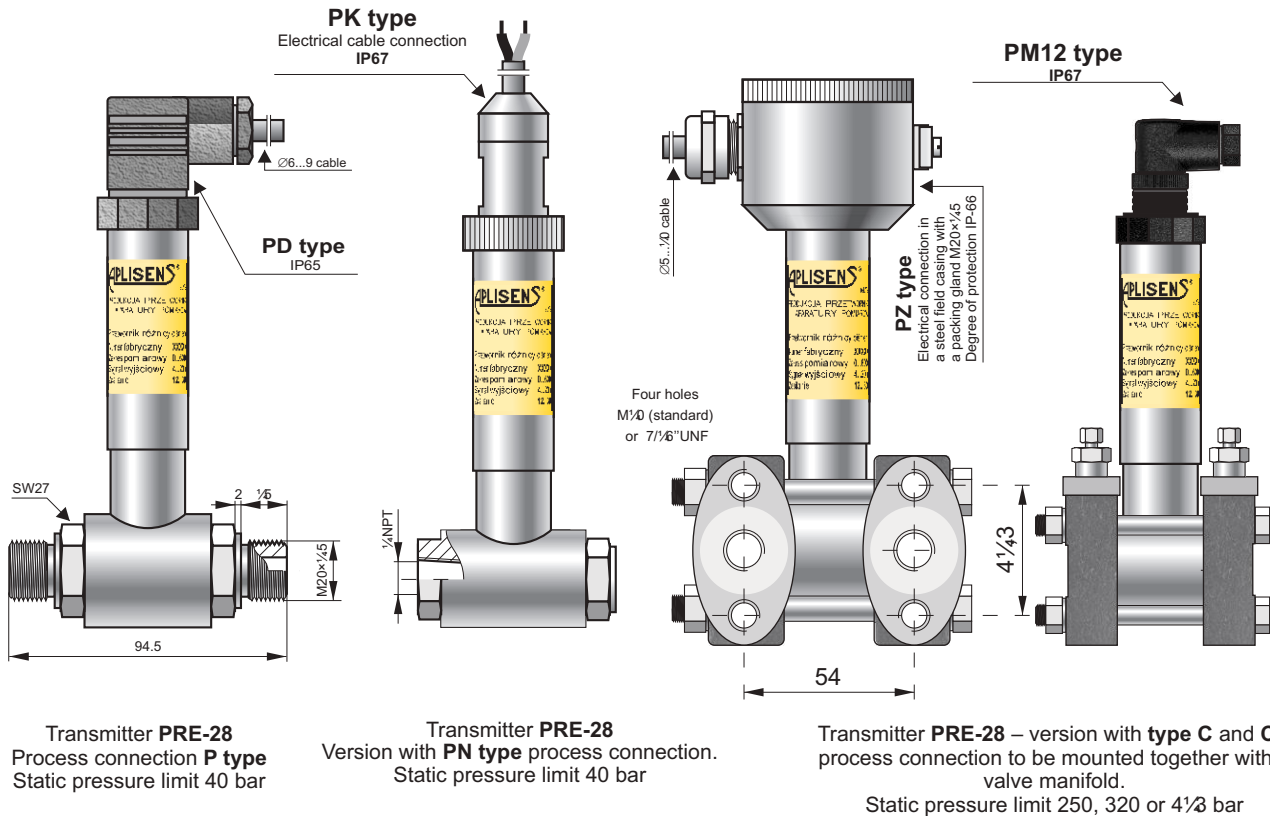
Ordering procedure

Model	Code	Description	
PRE-28.SMART		Smart differential pressure transmitter	
Versions, certificates more than one option is available	/Exia.....	<div style="display: flex; justify-content: space-between;"> <div style="width: 45%;"> <p>II ½2G Ex ia IIC T4/T5/T6 Ga/Gb II 1D Ex ia IIIC T105°C Da I M½Ex ia I Ma</p> <p>IECEX Ex ia IIC T4/T5/T6 Ga/Gb Ex ia IIIC T105°C Da Ex ia I Ma</p> </div> <div style="width: 45%;"> <p>For PM½, PKD version: IECEX II ½2G Ex ia IIC T4/T5/T6 Ga/Gb Ex ia IIC T4/T5/T6 Ga/Gb</p> <p>For ALW, ALM version: IECEX II ½2G Ex ia IIC T4 Ga/Gb II 1D Ex ia IIIC T105°C Da Ex ia IIC T4 Ga/Gb Ex ia IIIC T105°C Da</p> </div> </div>	
	/Exia (IECEX).....		
	/MR.....		
	/Tlen.....		
	/320 bar.....	Marine certificate – DNV, BV (not available in ALW and ALM version) For oxygen service (sensor filled with Fluorolube fluid) Static pressure 320 bar, only for C process connection	
	/4½ bar.....	Static pressure 4½ bar, only for C process connection	
Nominal measuring range	/0+70 bar.....	Range	Min. set range
	/0+½6 bar.....	0+70 bar (0+7000 kPa)	7bar (700 kPa)
	/0+2,5 bar.....	0+½6 bar (0+½600 kPa)	½6bar (½60 kPa)
	/0+¼4bar.....	0+2,5 bar (0+250 kPa)	0,2bar (20 kPa)
	/0+0,25 bar.....	0+¼4bar (0+¼40 kPa)	50mbar (5 kPa)
	/-0,5+0,5 bar.....	0+0,25 bar (0+25 kPa)	½0mbar (½kPa)
	/-0,½0,¼4bar.....	-0,5+0,5 bar (50+50 kPa)	0,½bar (½ kPa)
	/-5+70mabr.....	-0,½0,¼4bar (-½0+½0 kPa)	½0mbar (½kPa)
	*) non-standard ranges available on request	-5+70 mbar (0,5+7 kPa)	4mbar (0,4 kPa)
		-25+25 mbar (-2,5+2,5 kPa)	2 mbar (0,2 kPa)
Measuring set range	/...+... [required units]	Calibrated range in relation to 4mA and 20mA output	
Casing, electrical connection	/PD.....	Housing IP65 with DIN EN ½7530¼803 connector	
	/PZ.....	304SS housing, IP66, packing gland M20x¼5	
	/PZ3½6.....	3½6SS housing, IP66, packing gland M20x¼5	
	/PM½2.....	304SS housing, IP67 with thread M½2x¼4and connector with cable (3 m in standard)	
	/SG.....	3½6LSS housing, IP68, cable electrical connection (3 m of cable in standard)	
	/SGM.....	3½6LSS housing, IP68, cable electrical connection (3 m of cable in standard)	
Process connections	/ALW *.....	Aluminum housing, local display, IP65, DIN43650 connector	
	/ALM *.....	Aluminum housing, local display, IP65, DIN43650 connector	
	/C.....	Thread ¼4NPT F on the cover flanges cover flanges material SS3½6L. Allows mounting with a valve manifold. Process connection of cover flange: M½0 (option /C(7½6) - 7½6UNF acc. to IEC 6½6½8)	
	/CR.....	C-type process connection rotated 90°	
	/P.....	Thread M20x¼5 (male)	
Material of diaphragms (refers only to C, CR, P, PN process connection)	/PN.....	Thread ¼4"NPT (female)	
	/code of diaphragm seal....	Diaphragm seal (see chapter of diaphragm seals) mounted on Hi side of transmitter, Lo side ¼4NPT Female	
	(without marking).....	Diaphragms material SS3½6L	
Gasket (refers only to C, CR process connection)	/H).....	Diaphragms material Hastelloy C276	
	/(Au).....	(all wetted parts in Hastelloy C276 on request)	
		Gold plated diaphragms	
Accessories	(without marking).....	FPM Viton	
	/NBR.....	NBR	
	/PTFE.....	PTFE	
	/C-2".....	Mounting bracket for 2" pipe (to C process conn.), mat. zincd steel	
	/C-2"(SS).....	Mounting bracket for 2" pipe (to C process conn.), mat. Stainless Steel	
	/C-2"B.....	Mounting bracket for 2" pipe (to C(7½6) process conn.), mat. zincd steel	
	/C-2"B(SS).....	Mounting bracket for 2" pipe (to C(7½6) process conn.), mat. Stainless Steel	
Other specification	/F125.....	Mounting bracket for ¼ pipe (to P process conn.), mat. Stainless Steel	
	/RedSpaw P.....	Connector to weld impulse pipes dia. ½2 and ¼4 mm, material ½6HM(SO) or SS3½6(S). Only process connection P type	
	/RedSpaw C.....	Connector to weld impulse pipes dia. ½2 and ¼4 mm, material ½6HM. Only process connection C type.	
	/Red d/P ¼2".....	Adapter for differential pressure transmitters with C type process connection, output thread ¼2NPT F. Material SS3½6L	
	/.....	Description of required parameters	

* - pushbuttons allows to change display settings only

DIFFERENTIAL PRESSURE TRANSMITTER PRE-28

- ✓ Overloads up to 413 bar total static pressure
- ✓ Accuracy 0,25%
- ✓ Any range from 0...16 mbar up to 0...25 bar
- ✓ Intrinsic safety certificate (ATEX, IECEx)
- ✓ Marine certificate – DNV, BV



Transmitter PRE-28
Process connection P type
Static pressure limit 40 bar

Transmitter PRE-28
Version with PN type process connection.
Static pressure limit 40 bar

Transmitter PRE-28 – version with type C and CR
process connection to be mounted together with a
valve manifold.
Static pressure limit 250, 320 or 41/3 bar

Application

The PRE-28 transmitter is applicable to the measurement of differential pressure of gases, vapours and liquids.

Construction

The active element is a piezoresistance silicon sensor separated from the medium by separating diaphragm and a specially selected type of manometric fluid. The special desing of the active sensing element ensures withstanding the pressure surges and overloads of up to 41/3 bar. The electronics is placed in a casing with a degree of protection IP65, IP67, depending on the type of electrical connection applied.

Calibration

Potentiometers can be used to shift the zero position and the range by up to 10%, without altering the settings.

Installation

The transmitter with P type process connection is not heavy, so it can be installed directly onto impulse lines. For fitting in any desired position on a Ø25 pipe the Aplisens mounting bracket (F125 mounting bracket, page IV/ 5) is recommended.

The version with C type process connection can be fitted directly to a 3- or 5-valve manifold. The factory-mounted transmitters with VM type valve manifold (page IV/ 2) are recommended. A transmitter without a valve manifold can be fitted in any position on a 2" pipe or on a wall using the C-2" mounting bracket (page IV/ 5).

When the special process connections are required for the measurement of levels and pressures (e.g. at food and chemical industries), the transmitter is provided with an Aplisens diaphragm seal. The differential pressure transmitters with diaphragm seals are described in detail in the further part of the catalogue.

Technical data

Materials: Wetted parts:	type P process conn.	SS316L	Hysteresis, repeatability	0,05%
	type P(H) process conn.	SS316L or Hastelloy C276		Thermal compensation range:
Diaphragm	type C process conn.	SS316L	Operating temperature range:	-25+80°C
	Casing	SS316L, Hastelloy C276, Au SS304	Medium temperature range:	-25+120°C (direct measurement) Over 120°C – measurement with use an impulse line or diaphragm seals
		Option: SS316		

CAUTION: the medium must not be allowed to freeze in the impulse line or close to the process connection of the transmitter.

Technical data

Any measuring range 0...1/6 mbar ± 0...25 bar

	Measuring Range				
	25 mbar	100 mbar	1 bar	2 bar	25 bar
Overpressure Limit Static Pressure Limit (repeated, without hysteresis)	250 bar (option 4 1/3 bar) (40 bar for P type process connection)				
Accuracy	0,4%	0,4%	0,25%		
Long term stability	0,6% / year		0,2% / year		0,1% / year
Thermal error	Typically 0,6% / 10°C max 1% / 10°C	Typically 0,3% / 10°C max 0,4% / 10°C		Typically 0,2% / 10°C max 0,3% / 10°C	
Zero shift error for static pressure*	0,1% / 10 bar				

* Zeroing the transmitter in conditions of static pressure can eliminate this error.

Output signal	4...20 mA, two wire transmission 0...10 V, three wire transmission	Load resistance (for current output)	$R[\Omega] \leq \frac{U_{supl}[V] - 85V}{0,02A}$
		Load resistance (for supply output)	$R \geq 20k\Omega$

Power supply

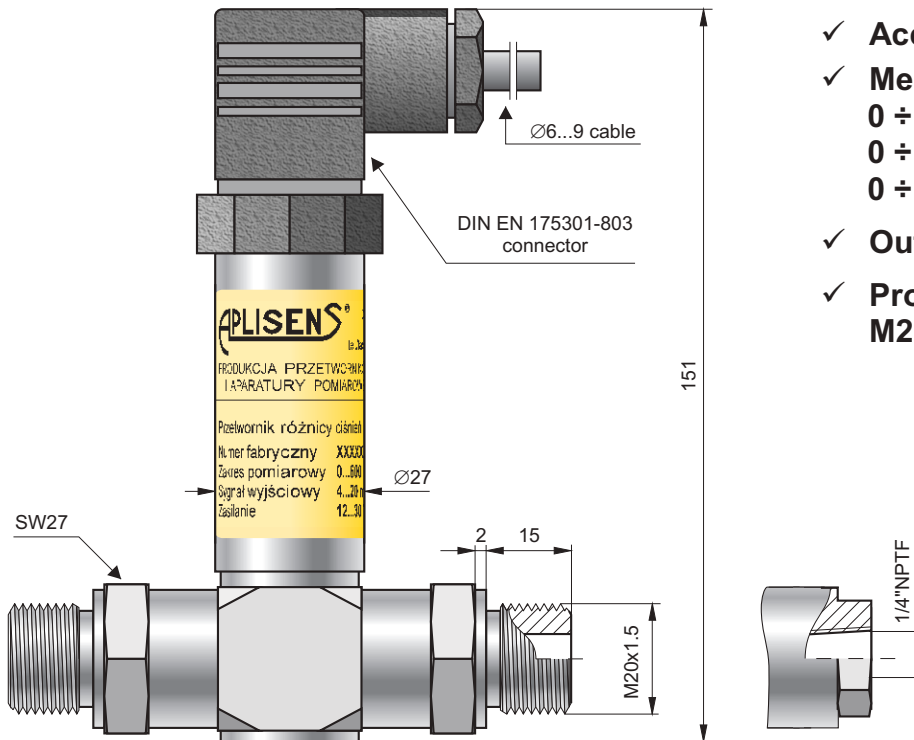
output 4..20 mA:	8...36 VDC (Ex 9...28 VDC) version TR: 10,5...36 VDC (Ex 12...28 VDC)
output 0..10 V:	1/3...30 VDC

Error due to supply voltage changes 0,005% (FSO) / V

Ordering procedure

Model	Code	Description
PRE-28		Differential pressure transmitter
Versions, certificates	/Exia.....	II 1/2G Ex ia IIC T4/T5/T6 Ga/Gb II 1D Ex ia IIIC T110°C Da I M1/4Ex ia I Ma
	/Exia (IECEX).....	IECEX Ex ia IIC T4/T5/T6 Ga/Gb Ex ia IIIC T110°C Da Ex ia I Ma
	/MR.....	Marine certificate – DNV, BV (not available in ALW and ALM version)
	/Tlen..... /TR.....	For oxygen service (sensor filled with Fluorolube fluid) Response time <30ms; only 4..20mA output
more than one option is available		
Measuring range	/...+... [required units]	Measuring range in relation to 4mA and 20mA (or 0 and 10V) output.
Analogue output signal	(without marking) /0+10V.....	4..20mA / power supply 10,5...36VDC (Ex 12...28VDC) 0...10VDC / power supply 1/3...30VDC
Measuring set range	/...+... [required units]	Calibrated range in relation to 4mA and 20mA (or 0V and 10V) output
Casing, electrical connection	/PD.....	Housing IP65 with DIN EN 175301803 connector
	/PZ.....	304SS housing, IP66, packing gland M20x1/4
	/PZ3/6.....	316SS housing, IP66, packing gland M20x1/4
	/PM1/2.....	304SS housing, IP67 with thread M1/2x1/4 and connector with cable (3 m in standard)
	/PK1/2.....	304SS housing, IP67, cable electrical connection (3 m of cable in standard)
	/ALW *..... /ALM *.....	Aluminum housing, local display, IP65, DIN43650 connector Aluminum housing, local display, IP65, DIN43650 connector
Process connections	/C.....	Thread 1/4NPT F on the cover flanges cover flanges material SS316. Allows mounting with a valve manifold. Process connection of cover flange: M10 (option C(7/8) - 7/8"UNF acc. to IEC 616/8)
	/CR.....	C-type process connection rotated 90°
	/P.....	Thread M20x1/4 (male)
	/PN.....	Thread 1/4"NPT (female)
	/code of diaphragm seal....	Diaphragm seal (see chapter of diaphragm seals) mounted on Hi side of transmitter, Lo side 1/4NPT Female
Material of diaphragms (refers only to C, CR, P, PN process connection)	(without marking).....	Diaphragms material SS316L
	/H.....	Diaphragms material Hastelloy C276 (all wetted parts in Hastelloy C276 on request)
	/Au.....	Gold plated diaphragms
Gasket (refers only to C, CR process connection)	(without marking).....	FPM Viton
	/NBR.....	NBR
	/PTFE.....	PTFE
Other specification	/C-2".....	Mounting bracket for 2" pipe (to C process conn.), mat. zincd steel
	/C-2"(SS).....	Mounting bracket for 2" pipe (to C process conn.), mat. Stainless Steel
	/C-2"B.....	Mounting bracket for 2" pipe (to C(7/8) process conn.), mat. zincd steel
	/C-2"B(SS).....	Mounting bracket for 2" pipe (to C(7/8) process conn.), mat. Stainless Steel
	/FI25.....	Mounting bracket for 1/4 pipe (to P process conn.), mat. Stainless Steel
	/RedSpaw P.....	Connector to weld impulse pipes dia. 1/2 and 1/4 mm, material 1/6HM(SO) or SS316(S). Only process connection P type
	/RedSpaw C.....	Connector to weld impulse pipes dia. 1/2 and 1/4 mm, material 1/6HM. Only process connection C type.
	/Red d/P 1/2".....	Adapter for differential pressure transmitters with C type process connection, output thread 1/4NPT F. Material SS316L
/.....	Description of required parameters	

Differential pressure transmitter AS-dP



- ✓ Accuracy 0.4%
- ✓ Measuring ranges:
0 ÷ 1, 0 ÷ 2.5, 0 ÷ 4 bar
0 ÷ 6, 0 ÷ 10 bar
0 ÷ 16, 0 ÷ 25 bar
- ✓ Output signal: 4 ÷ 20 mA
- ✓ Process connection:
M20x1.5, 1/4" NPTF NEW

Metrological parameters

Accuracy	0,4%
Hysteresis, repeatability	0,05%
Overpressure limit	6 × range max. 40 bar
Thermal compensation range	0 ÷ 70°C
Thermal error	0,2% / 10°C
Long – term stability	0,5% / year

Technical data

Degree of protection	IP-65
Material of process connection and diaphragms	00H17N14M2 (316 Lss)
Material of casing	0H18N9 (304ss)

Operating conditions

Operating temperature range (ambient temp.)	-25 ÷ 80°C
Medium temperature range	-25 ÷ 120°C – direct measurement > 120°C – measurement using an impulse line

Electrical parameters

Output signal 4 ÷ 20 mA, two wire transmission
Power supply 8...36 VDC

Load resistance (for current output) $R[\Omega] \leq \frac{U_{sup}[V] - 8V}{0,02A}$

Load resistance (for supply output) $R \geq 20k\Omega$

Ordering procedure

AS-dP / _ / _ / _

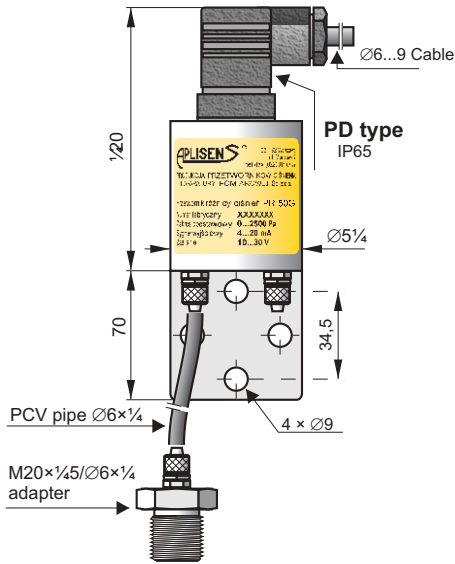
Measuring range:
0 ÷ 1, 0 ÷ 2.5, 0 ÷ 4,
0 ÷ 6, 0 ÷ 10, 0 ÷ 16
or 0 ÷ 25 bar

Process connection:
M20x1.5
or 1/4" NPTF

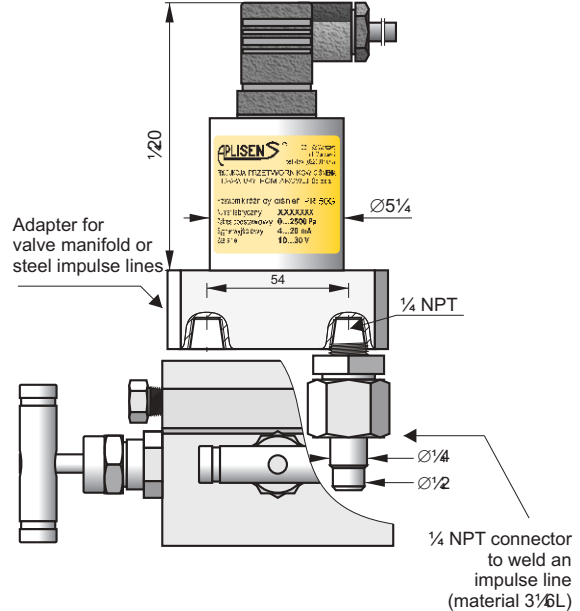
Output signal:
4 ÷ 20 mA

DIFFERENTIAL PRESSURE TRANSMITTER for low ranges PRE-50G

- ✓ Measuring range start from 250Pa
- ✓ Output signal: 4-20mA, 0-10V



PRE-50G Economic Version, process connection with terminal connecting to Ø6 pipe (PCV type) An example with PD type Electrical Connection



PRE-50G Industrial Version, C type process Connector to be mounted along with a valve manifold

Application

The PRE-50G transmitter is applicable to gases, to the measurements of their pressure, underpressure and differential pressure. Typical applications include the measurement of blast pressure, chimney draughts or pressure / underpressure in furnace chambers. IP protection IP65.

Installation

The economical version can be mounted on any stable construction using the assembly fixture with Ø9 opening. The transmitter's connection shanks have terminals to be connected to the elastic Ø6x¼ impulse line. Where the pulse comes through a metal pipe, we suggest an M20x¼5 adapter for a Ø6x¼ fitting using.

The transmitter with a C type connector should be mounted on a 3- or 5-valve manifold. We recommend to use our pre-assembled transmitters with VM type valves (page IV/ 2).

Technical data

Any measuring range

250 Pa ÷ 20 kPa

	Measuring range			
	250 Pa	>250...700Pa	>700...2500 Pa	>2500 Pa
Overpressure limit				
Static pressure limit (repeated – without hysteresis)	35 kPa	35 kPa	100 kPa	100 kPa
Accuracy	¼6%	0,6%		0,3%
Thermal error 10°C	¼6%	0,6%	0,3%	

Hysteresis, repeatability 0,05% to 0,25%
depend on setting range

Thermal compensation range 5 ÷ 50°C

Operating temperature range -25 ÷ 80°C

Standard measuring range : 0...250; 0...500 Pa;

0...2; 0...5; 0...10 kPa;
-150...150; -250...250 Pa;
-0,5...0,5; -1/4...1/4 -2,5...2,5; -5...5; -10...10 kPa

Output signal 4 ÷ 20 mA two wire transmission
0 ÷ 10 V three wire transmission

Power supply 10...39 VDC two wire transmission
12...39 VDC three wire transmission

Error due to supply voltage changes 0,005% / V

Load resistance $R[\Omega] \leq \frac{U_{sup}[V] - 10V}{0,02A}$
(for current output)

Load resistance $R \geq 20k\Omega$
(for supply output)

Housing material 0H18N9 (SS304)

Adapters material C - SS316Ti

M20x1/5/Ø6x1/4- brass

Valve manifolds SS316

Ordering procedure

Model	Code	Description
PRE-50G		Differential pressure transmitter
Measuring set range	/...+... [required units]	Calibrated range in relation to 4mA and 20mA (or 0V and 10V) output
Casing	/PD.....	Housing IP65 with DIN EN 175301/4803 connector
Process connections	/PCV.....	Process connection with terminal connecting for Ø6mm elastic pipe. Mounting bracket for wall mounting is a standard.
	/C.....	Thread 1/4NPT F on the cover flanges, diaphragms material SS316L, cover flanges material SS316. Allows mounting with a valve manifold.
Accessories	/M20x1/5/Ø6.....	Adapter from Ø 6mm elastic pipe for M20x1/5 M thread (only version with PCV process connection)
	/RedSpaw C.....	Connector to weld impulse pipes dia. 1/2 and 1/4 mm, material 1/5HM. (only version with process connection C type)
	/+VM-3/A.....	Assembled with a 3-way valve manifold (further specification of manifold - see data sheet) . Only version with C type process connection.
	/+VM-5/A.....	Assembled with a 5-way valve manifold (further specification of manifold - see data sheet) . Only version with C type process connection.
Other specification	/.....	Description of required parameters (e.g. non-standard pr. connection G3/4", M22x1/5)

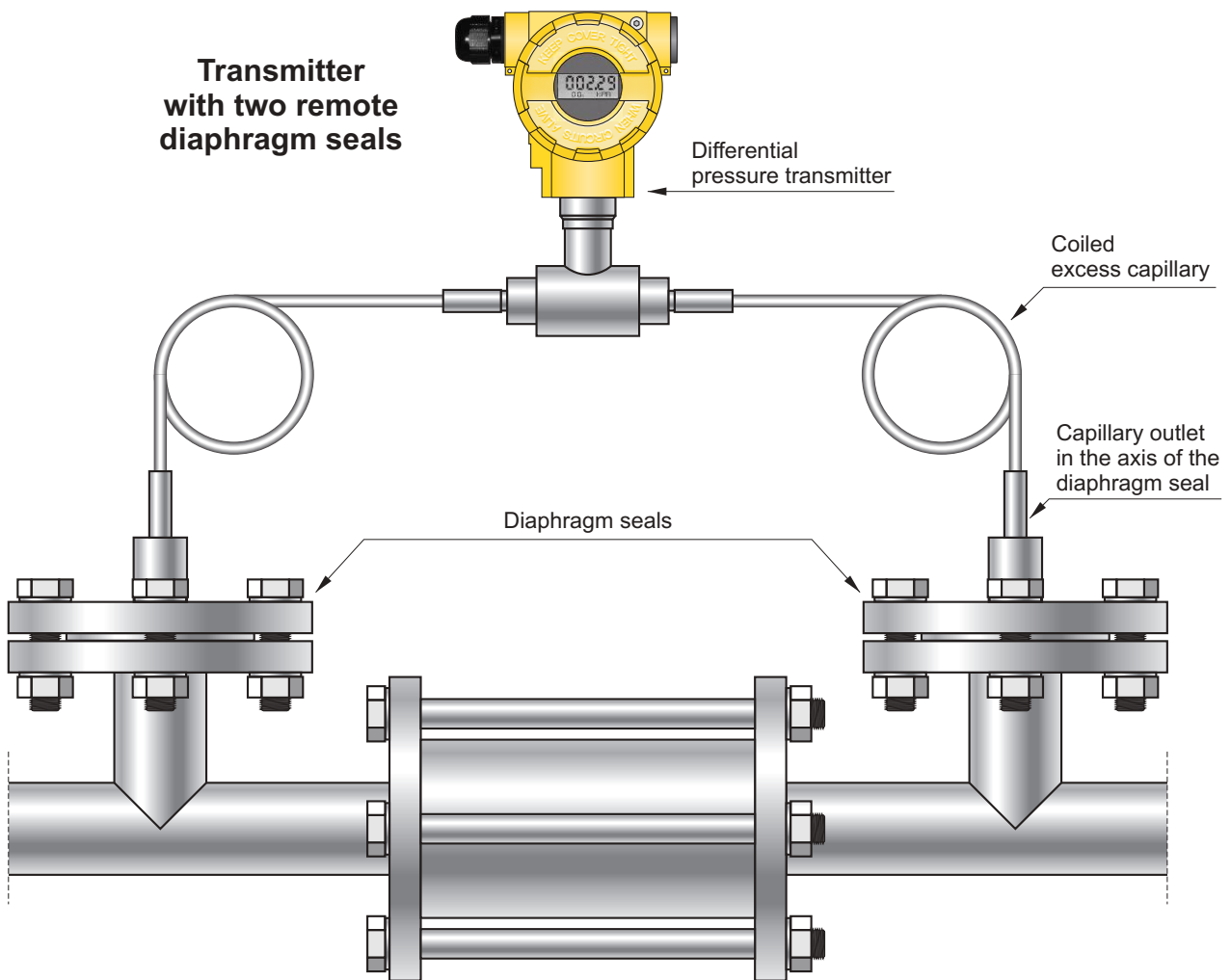
Example: Differential pressure transmitter PRE-50G / range 0...1/4kPa / output signal 4 ÷ 20 mA / process connection type PCV. adapter M20x1/5/Ø6x1/4X 2 pcs.

PRE-50G / 0 ÷ 1 kPa / 4 ÷ 20 mA / PCV /2x adapter M20x1,5/Ø6x1

SMART DIFFERENTIAL PRESSURE TRANSMITTER WITH TWO DIAPHRAGM SEALS MODEL APR-2200ALW or APRE-2200



- ✓ 4...20 mA output signal + HART protocol
- ✓ Accuracy 0,1%
- ✓ Intrinsic safety certificate (ATEX, IECEx)
- ✓ Explosion proof certificate (ATEX, IECEx)
- ✓ Fully welded sensor guarantees tightness of oil system for many years
- ✓ Ability to configure measuring range locally



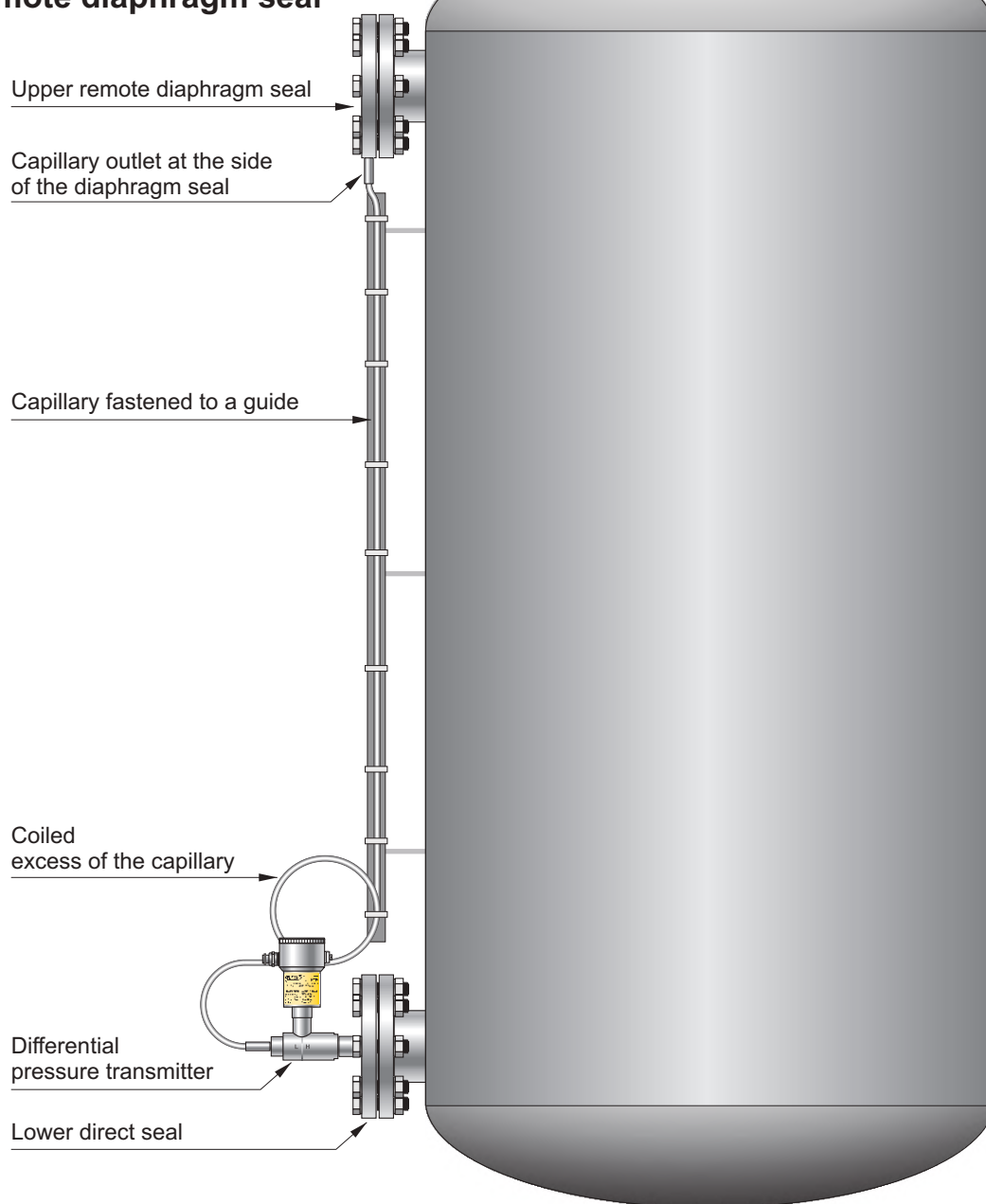
Example of a filter loss measurement

Recommendations

The version of the transmitter with two remote diaphragm seals is recommended for the measurement of pressure differences when the hydrostatic pressure of the manometric fluid in the capillaries (which depends on the vertical spacing of the seals) is significantly less than the measuring range of the transmitter. The best metrological results are obtained when the applied

capillaries are identical, as short as possible, and terminated with identical seals. At such a configuration additional temperature errors, related to the remote sealing, affect both of the measurement chambers of the differential pressure transmitter in the same way, and thus cancel each other out.

Transmitter with two types of diaphragm seal: one – direct diaphragm seal and the other – remote diaphragm seal



Example of measurement of the level in a pressure tank

Recommendations

The transmitter with a direct diaphragm seal (connected to the positive measurement chamber) and a remote diaphragm seal (connected to the negative chamber) is recommended for hydrostatic measurements of: levels, densities, phase boundaries and pressure differences (with differentiated height of pulse source points*).

In such a configuration, at ambient temperature changes, two opposite phenomena appear concurrently.

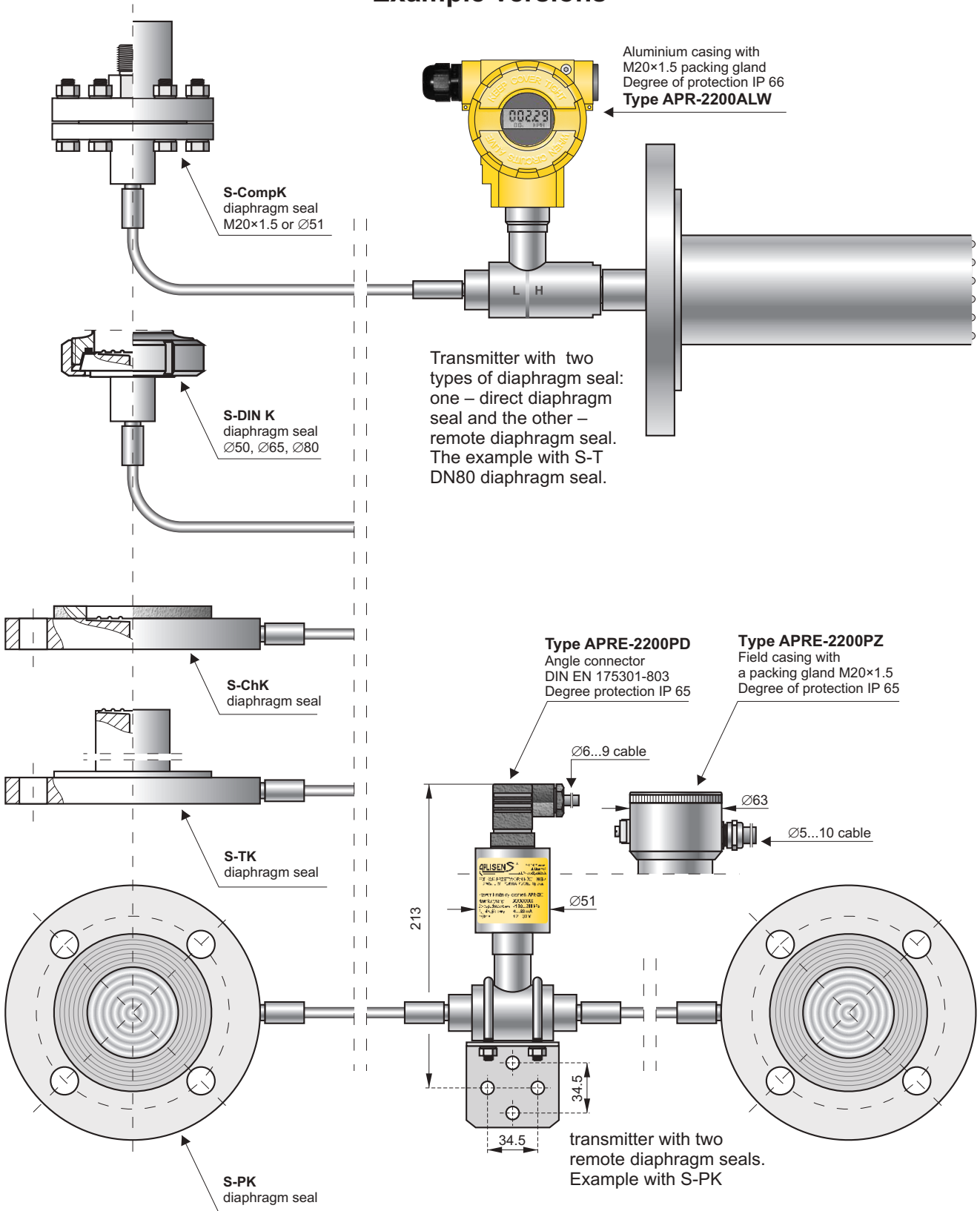
Thermal expansion causes the change in the volume (and hence also the change in density) of the manometric fluid in the capillary, which results in a change of the hydrostatic pressure related to the vertical spacing of the seals.

This phenomenon is counteracted by the elastic reaction of the diaphragm of the upper diaphragm seal, which is displaced by the change in volume of manometric fluid. Based on tests and experiments, the Aplisens transmitters are provided with carefully selected seal diaphragms, which guarantee compensation of the errors resulted from the ambient temperature changes.

The best metrological results are obtained using assembly, which include DN 80, DN 100, A 109 and S-Comp diaphragm seals or S-Mazut, S-DIN and S-Clamp diaphragm seals with a diameter of at least 65 mm, where the length of the capillary is $(1...1.3) \times$ (vertical spacing of seals). It is recommended using identical diaphragm seals at the both upper and lower connection points.

* The difference in height of pulse source points, at which the hydrostatic pressure of the manometric fluid is comparable to or greater than the range of the transmitter.

Example versions



Note: The appropriate configuration of the complete set of pressure transmitter, diaphragm seals and capillaries, as well as the proper selection of manometric fluid, depends on several factors, including the physical and chemical properties, temperature range of the medium, the vertical spacing of the diaphragm seals, the measuring range, static pressure range, range of ambient temperatures and the technical specifications for mechanical connection of the diaphragm seals to the pressure devices.

Application and construction

The differential pressure transmitter is applicable to the measurement of pressure differences of: gases, vapours and liquids in cases where it is necessary to use seals and the pressure pulse source points may be several metres apart. Typical applications include the hydrostatic measurement of: levels in closed tanks, densities and phase boundaries, and the measurement of a filter loss, pressure differences between media in pasteurisers etc. The available range of the diaphragm seals allows measurement at great majority of media. The active element is a piezoresistant silicon sensor separated from the medium by a distance sealing system. The special design of the measuring unit means that it can withstand pressure surges and overloads of up to 40 bar. The electronic circuits are enclosed in a casing with a degree of protection IP 65 or IP66.

Configuration

The settings of the following metrological parameters can be changed:

- ◆ the units of pressure in which the range is configured,
- ◆ start and end points of the range, time constant,
- ◆ inverted characteristic (output signal 20 ± 4 mA).

Communication

The transmitter is configured and calibrated using a KAP-03 communicator, some other communicators (HART) or a PC using an HART/USB converter and Aplisens RAPORT 2 configuration software.

The data interchange with the transmitter enables the users the transmitter identification, as well as reading of the currently measured differential pressure value, output current and percent of range width.

Measuring ranges

Nominal measuring range (FSO)	Minimum set range	Vertical spacing of diaphragm seals	Maximum set range width, considering the actual vertical spacing of the diaphragm seals (m)	Static pressure limit
-160...160 mbar	0,1 m H ₂ O	≤ 1,7 m	[1,6 + (vertical spacing of seals × 0,94)] m H ₂ O	40 bar
-0,5...0,5 bar	0,5 m H ₂ O	≤ 6 m	[5 + (vertical spacing of seals × 1,04)] m H ₂ O	40 bar
-1,6...2 bar	1,5 m H ₂ O	≤ 15 m	[20 + (vertical spacing of seals × 1,04)] m H ₂ O	40 bar
-1,6...16 bar	1 bar	≤ 15 m	16 bar	40 bar

CAUTION: The maximum vertical diaphragm seal spacing shown in the table applies to level measurement, ensuring that it is possible to set the zero point of the transmitter when the tank is empty. For measurements of density or phase boundaries (in the sugar, chemical or refinery industries) the vertical spacing of the diaphragm seals can be larger.

Metrological parameters

Accuracy ≤ ±0.1% (FSO)

The other parameters as given in the sheet for the smart differential pressure transmitter APR-2000ALW/APRE-2000.

Sealing effect errors – as given in the relevant diaphragm seal sheet in chapter III (Diaphragm Seals), concerning the distance seal.

NOTE: The additional absolute zero error due to ambient temperature can be compensated by configuring the transmitter, seals and capillaries in accordance with the recommendations on pages II/ 20 and II/ 21.

Electrical parameters – as given in the sheet for the APR-2000ALW/APRE-2000 differential pressure transmitter.

Operating conditions

Operating temperature range (ambient temperature) -25...85°C
 APR-2200ALW/Exia and APRE-2200/Exia -25...80°C
 APR-2200ALW/Exd -25...75°C

Medium temperature range – as given in the appropriate diaphragm seal sheet (remote seal)

Special versions, certificates:

Exia – ATEX Intrinsic safety

Exd – ATEX explosion proof

100 bar, 160 bar – static pressure limit – 100 bar or 160 bar

Non-standard basic range – on request

Others

Ordering procedure APR-2200ALW

Model	Code	Description	
APR-2200		Smart differential pressure transmitter	
Casing, output signal	/ALW.....	Aluminum housing, IP66, with display, output 4-20mA + Hart	
	/ALW/SS.....	Stainless steel housing, IP66, with display, output 4-20mA + Hart	
Versions, certificates	/Exia.....	II 1/2G Ex ia IIC T4/T5 Ga/Gb IECEX Ex ia IIC T4/T5 Ga/Gb	
	/Exia (Da).....	II 1/2G Ex ia IIC T4/T5 Ga/Gb II 1D Ex ia IIIC T105°C Da I M1 Ex ia I Ma (version with SS housing) Ex ia IIC T4/T5 Ga/Gb IECEX Ex ia IIIC T105°C Da Ex ia I Ma (version with SS housing)	
	/Exd.....	II 1/2G Ex ia/db IIC T6/T5 Ga/Gb II 1/2D Ex ia/tb IIIC T85°C/T100°C Da/Db I M2 Exd ia I Mb (version with SS housing) Ex ia/db IIC T6/T5 Ga/Gb IECEX Ex ia/tb IIIC T85°C/T100°C Da/Db Ex db ia I Mb (version with SS housing)	} Packing gland available on request
	/Exd (2G).....	II 2G Ex ia/db IIC T6/T5 Gb II 2D Ex ia/tb IIIC T85°C/T100°C Db Ex ia/db IIC T6/T5 Gb IECEX Ex ia/tb IIIC T85°C/T100°C Db	} Packing gland available on request
	/SA.....	Surge arrester for Exia version	
more than one option is available	/100 bar.....	Static pressure 100 bar	
	/160 bar.....	Static pressure 160 bar	
	/IP67.....	Protection class IP67	
Nominal measuring range	/-160+160 mbar.....	Range	Min. set range
	/-0,5+0,5 bar.....	-160+160 mbar (-16+16 kPa)	0,1 mH2O
	/-1,6+2 bar.....	-0,5+0,5 bar (-50+50 kPa)	0,5 mH2O
	/-1,6+16 bar.....	-1,6+2 bar (-160+200 kPa)	1,5 mH2O
		-1,6+16 bar (-160+1600 kPa)	1 bar
Measuring set range	/...+... [required units]	Calibrated range in relation to 4mA and 20mA output	
Process connections	/(+)	Direct diaphragm seal or remote diaphragm seal mounted on the (+) side of the transmitter- code as given in the relevant diaphragm seal sheet	
	K=	Capillary length on (+) side of transmitter	
	/(-)	Remote diaphragm seal mounted on the (-) side of the transmitter – code as given in the relevant diaphragm seal sheet	
	K=	Capillary length on (-) side of transmitter	
Electrical connection	(without marking)	Packing gland M20x1,5	
	/US.....	Thread 1/2"NPT Female	
Accessories	/FI25.....	Mounting bracket for 1" pipe, mat. Stainless Steel	
Other specification	/.....	Description of required parameters (e.g. IP66/67)	

Ordering procedure APRE-2200

Model	Code	Description	
APRE-2200		Smart differential pressure transmitter	
Casing, output signal	/PD.....	Housing IP65 with DIN EN 175301-803 connector, without display, output 4-20mA + Hart, packing gland M20x1,5	
	/PZ.....	304SS housing, IP66/IP67, without display, output 4-20mA + Hart packing gland M20x1,5	
	/PZ316.....	316SS housing, IP66/IP67, without display, output 4-20mA + Hart packing gland M20x1,5	
Versions, certificates	/Exia.....	II 1/2G Ex ia IIC T4/T5/T6 Ga/Gb II 1D Ex ia IIIC T110°C Da I M1 Ex ia I Ma	
	/100 bar.....	Static pressure 100 bar	
more than one option is available	/160 bar.....	Static pressure 160 bar	
Nominal measuring range	/-160+160 mbar.....	Range	Min. set range
	/-0,5+0,5 bar.....	-160+160 mbar (-16+16 kPa)	0,1 mH2O
	/-1,6+2 bar.....	-0,5+0,5 bar (-50+50 kPa)	0,5 mH2O
	/-1,6+16 bar.....	-1,6+2 bar (-160+200 kPa)	1,5 mH2O
		-1,6+16 bar (-160+1600 kPa)	1 bar
Measuring set range	/...+... [required units]	Calibrated range in relation to 4mA and 20mA output	
Process connections	/(+)	Direct diaphragm seal or remote diaphragm seal mounted on the (+) side of the transmitter- code as given in the relevant diaphragm seal sheet	
	K=	Capillary length on (+) side of transmitter	
	/(-)	Remote diaphragm seal mounted on the (-) side of the transmitter – code as given in the relevant diaphragm seal sheet	
	K=	Capillary length on (-) side of transmitter	
Accessories	/FI25.....	Mounting bracket for 1" pipe, mat. Stainless Steel	
Other specification	/.....	Description of required parameters	

To simplify the mathematical operations we introduce the density coefficient of the medium $X\rho$.

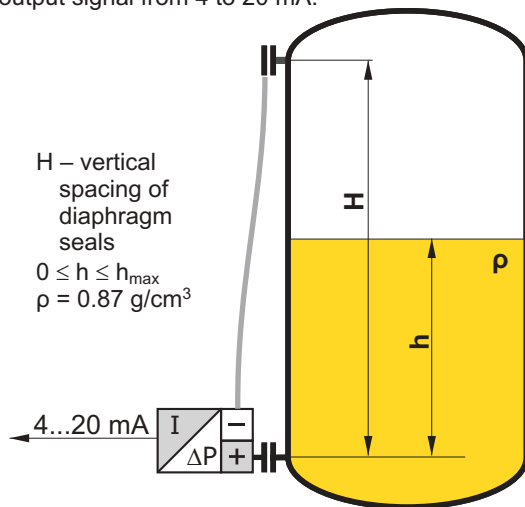
$$X\rho = \frac{\rho_{\text{medium}} [\text{g/cm}^3]}{\rho_{\text{water at 4}^\circ\text{C}} [\text{g/cm}^3]}$$

Since the density of water at 4°C is 1 g/cm³, the **density coefficient $X\rho$ is numerically equal to the density of the medium expressed in g/cm³**. To determine the hydrostatic pressure of a column of liquid in mm H₂O, it is sufficient to multiply the height of the column h [mm] by the density coefficient of the liquid $X\rho$. Since it is easy to determine the hydrostatic pressure in mm H₂O and the transmitter can be configured in those units, in the descriptions of measurement methods given below we will make use of pressures expressed in mm H₂O and the density coefficient $X\rho$.

Configuration of the transmitter to measure the level of liquid in a tank

The measurement task:

To convert a variation in the level of a liquid with density $\rho = 0.87 \text{ g/cm}^3$ between 0 and h_{max} to a variation in the output signal from 4 to 20 mA.



1. Install the transmitter in its working position on an empty tank.
2. Make the electrical connections of the transmitter, providing for the ability to use HART communication.
3. Connect the KAP-03 communicator, identify the transmitter and select the “configuration” function.

4. On the configuration menu select the “Reranging” procedure.
5. On the “Reranging” menu:
 - a) change the units of measurement to mm H₂O at 4°C;
 - b) enter the values for the start ($X\rho \times h_{\text{min}}$ [mm]) and end ($X\rho \times h_{\text{max}}$ [mm]) of the measurement range, namely 0 and ($0.87 h_{\text{max}}$ [mm]) respectively;
 - c) to compensate for the hydrostatic pressure of the manometric fluid, the start of the measurement range should be set using regulated pressure; when subject to the action of only the manometric fluid (empty tank) the transmitter will shift the start and end-points of the range, compensating for the value of that pressure.

When the transmitter has been configured in this way it is ready to be used to carry out the given measurement task.

If it is not possible to empty the tank to configure the transmitter, the hydrostatic pressure of the manometric fluid should be calculated by multiplying the vertical spacing of the diaphragm seals by the density coefficient of the oil in the capillaries. This pressure should be taken into account when entering the values for the start and end of the range:

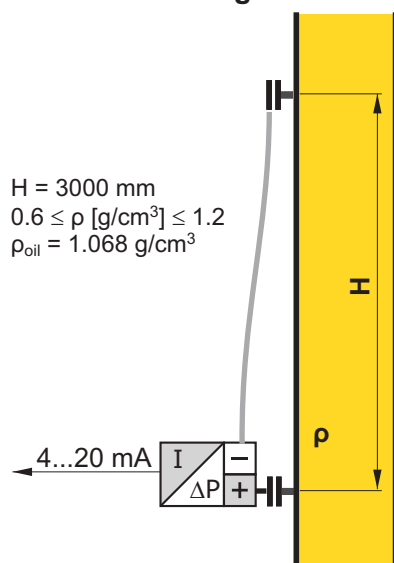
$$\text{Start [mm H}_2\text{O]} = -H [\text{mm}] \times X\rho_{\text{oil}}$$

$$\text{End [mm H}_2\text{O]} = h_{\text{max}} [\text{mm}] \times X\rho_{\text{measured liquid}} - H [\text{mm}] \times X\rho_{\text{oil}}$$

$$\rho_{\text{oil}} \text{ for DC-550 oil is equal to } 1.068 \text{ g/cm}^3$$

$$\rho_{\text{oil}} \text{ for AK-20 oil is equal to } 0.945 \text{ g/cm}^3$$

Configuration of the transmitter to measure density of liquids



The measurement task:

To convert a variation in liquid density from $\rho_{\text{min}} = 0.6 \text{ g/cm}^3$ to $\rho_{\text{max}} = 1.2 \text{ g/cm}^3$ to a variation in the output signal from 4 to 20 mA, with the vertical spacing of the diaphragm seals equal to $H = 3000 \text{ mm}$. The sealing system is filled with DC-550 oil with density $\rho_{\text{oil}} = 1.068 \text{ g/cm}^3$.

1. Calculate the value of the start of the range as follows:
 $H_{[\text{mm}]} \times (X\rho_{\text{min}} - X\rho_{\text{oil}}) = 3000 \times (0.6 - 1.068) = -1404 \text{ [mm H}_2\text{O]}$
2. Calculate the value of the end of the range as follows:
 $H_{[\text{mm}]} \times (X\rho_{\text{max}} - X\rho_{\text{oil}}) = 3000 \times (1.2 - 1.068) = 396 \text{ [mm H}_2\text{O]}$
3. Set the zero point of the transmitter with the diaphragm seals positioned at the same level.
4. Install the transmitter in its working position.
5. Make the electrical connections to the transmitter, providing for the possibility of using HART communication.

6. Connect the KAP-03 communicator, identify the transmitter and select the "configuration" function.
7. On the configuration menu select "Reranging" procedure.
8. On the "Reranging" menu:
 - a) change the measurement units to mm H₂O at 4°C;
 - b) enter the calculated values for the start (-1404) and end (396) of the range.

When the transmitter has been configured in this way it is ready to be used to carry out the given measurement task.

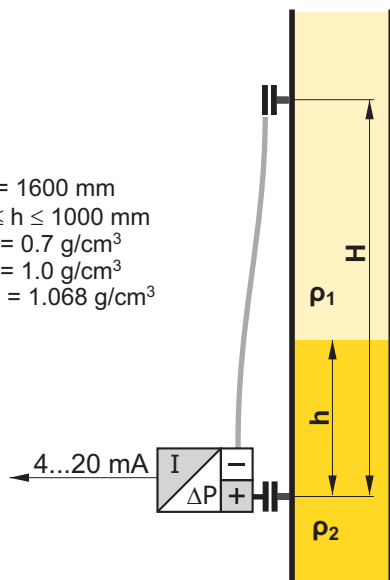
Note: If it is possible to fill the space between the seals with a liquid whose density corresponds to the start of the measurement range, the start of the range of the transmitter can be set using regulated pressure.

Measurement of phase boundary

The height of the phase boundary of liquids of different densities is determined by measuring the average density of the medium between the seals.

Example:

Calculate the measurement range start and end points for an APRE-2200 transmitter configured to measure phase boundary height in the range 0–1000 mm between liquids of density $\rho_1 = 0.7 \text{ g/cm}^3$ and $\rho_2 = 1.0 \text{ g/cm}^3$, where the vertical spacing of the seals $H = 1600 \text{ mm}$. The sealing system uses DC-550 oil with a density of 1.068 g/cm^3 .



To determine the start of the measurement range, calculate the pressure difference at the transmitter when the tank is filled with the lighter liquid only:

$$1600 \text{ [mm]} \times (0.7 - 1.068) = -588.8 \text{ [mm H}_2\text{O]}$$

To determine the end-point of the range, add the increase in pressure resulting from the appearance of a 1 metre column of the heavier liquid:

$$-588.8 \text{ [mm H}_2\text{O]} + (1.0 - 0.7) \times 1000 \text{ [mm]} = -288.8 \text{ [mm H}_2\text{O]}$$

Additional remarks

The settings of the transmitter can be adjusted with reference to laboratory results from density measurements carried out on samples of the liquid being measured. This is most often necessary when the measurement takes place in a pipeline segment where the flow velocity of the measured liquid reaches several m/s.

Increasing the vertical spacing of the diaphragm seals widens the range and often improves measurement accuracy.

In planning the spacing of the diaphragm seals, ensure that the pressure difference at the transmitter lies within the basic range.

The maximum vertical spacing of the diaphragm seals (H) depends on the transmitter's basic range and the boundary values for the density of the measured liquid (ρ_{min} ; ρ_{max}).

If $\rho_{\text{min}} < \rho_{\text{oil}} < \rho_{\text{max}}$, the seal spacing H should satisfy the following conditions:

$$H \text{ [mm]} \leq \frac{\text{lower boundary of range [mm H}_2\text{O]}}{X\rho_{\text{min}} - X\rho_{\text{oil}}}$$

$$H \text{ [mm]} \leq \frac{\text{upper boundary of range [mm H}_2\text{O]}}{X\rho_{\text{max}} - X\rho_{\text{oil}}}$$

Example:

Determine the maximum vertical spacing of the seals for the **APRE-2200 / -10...10 kPa** transmitter when measuring the density of liquid between 0.6 and 1.2 g/cm^3 . The sealing system uses AK-20 silicone oil with a density of 0.945 g/cm^3 .

The lower boundary of the range of the transmitter is $-10 \text{ kPa} = -1020 \text{ mm H}_2\text{O}$

$$H \text{ [mm]} \leq \frac{-1020}{0.6 - 0.945} \Rightarrow H \text{ [mm]} \leq \frac{-1020}{-0.345} \Rightarrow H \text{ [mm]} \leq 2957$$

The upper boundary of the range of the transmitter is $+10 \text{ kPa} = 1020 \text{ mm H}_2\text{O}$

$$H \text{ [mm]} \leq \frac{1020}{1.2 - 0.945} \Rightarrow H \text{ [mm]} \leq \frac{1020}{0.255} \Rightarrow H \text{ [mm]} \leq 4000$$

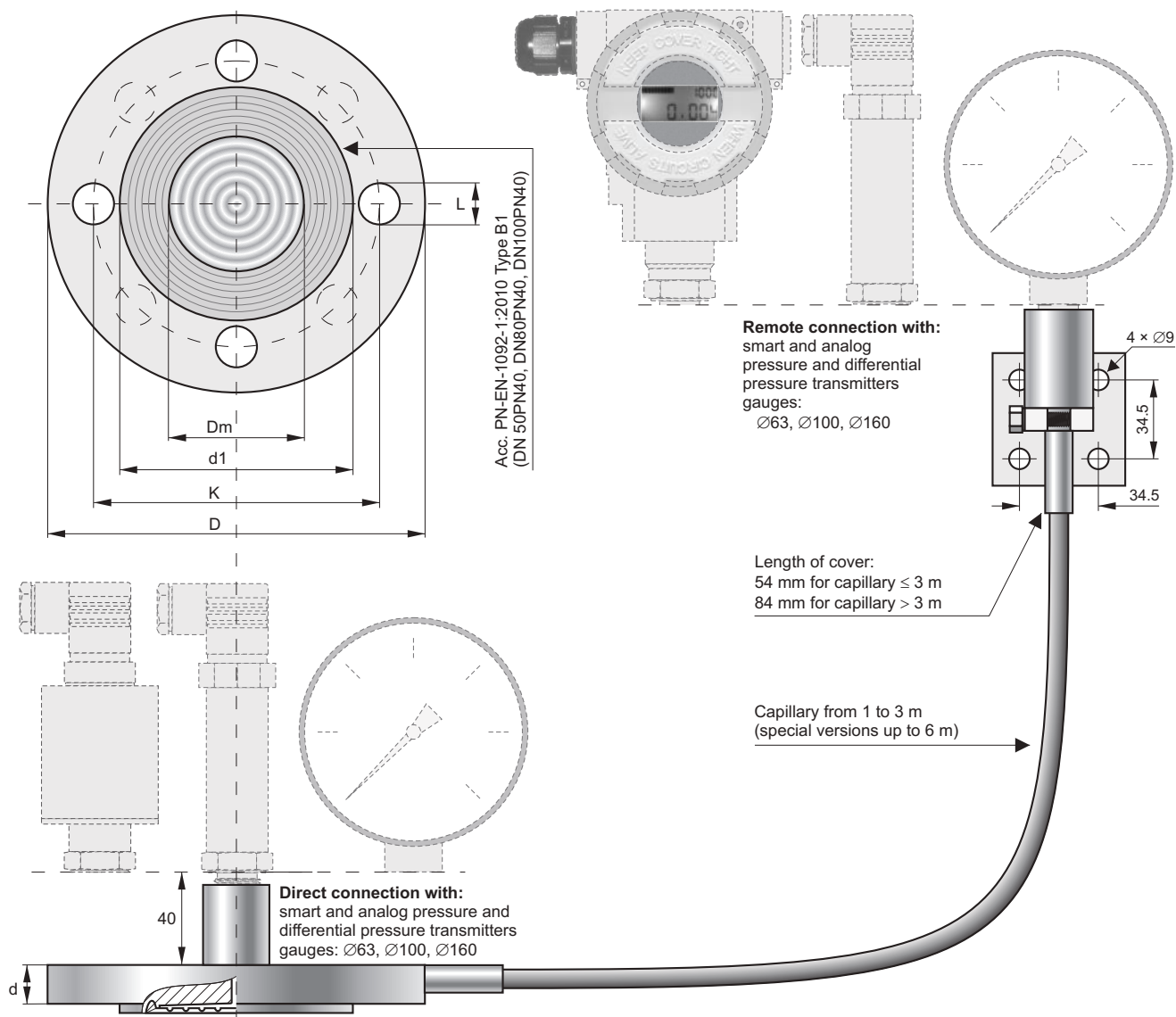
In the example, both conditions are satisfied when the spacing of the seals is not more than 2957 mm.

Chapter III

Diaphragm seals

Flanged seals with flush diaphragm S-P	III/ 2
Flanged seals with extended diaphragm S-T and S-TK-P with direct diaphragm cleaning system	III/ 4
Chemical flanged seals with flush diaphragm S-Ch	III/ 6
Threaded seals with large diaphragm and separable mounting parts S-Comp	III/ 8
Threaded chemical seal with large diaphragm S-CompCh	III/ 10
Threaded seals with large diaphragm S-Mazut	III/ 11
Sanitary diaphragm seals.....	III/ 12
Flanged diaphragm seals for high-temperature applications in low ambient temperature S-NORD.....	III/ 15
Threaded seals with flush diaphragm and radiator S-RC	III/ 16
Flanged seals with extended diaphragm and direct diaphragm cleaning system S-TK-P	III/ 17

Flanged seals with flush diaphragm S-P



Diaphragm seal dimensions

Version	Diaphragm diameter Dm	Contact face diameter d1	Diameter of bolt circle K	External diameter D	Thickness d	Diameter of holes L	Number of holes
DN50 PN40/ 2" ANSI 150	59	102	125	165	22	18	4
	59	92	120,5	150	20	20	4
DN80 PN40 3" ANSI 150	89	138	160	200	24	18	8
	89	127	152,5	190	24	20	4
DN100 PN40 4" ANSI 150	89	162	190	235	24	22	8
	89	158	190,5	230	24	20	8

Application

The diaphragm seal is a pressure-transmitting, diaphragm-type device. The pressure signal is sent to the cooperating pressure measuring device (pressure transmitter, pressure gauge) through manometric liquid filling the space between the separating diaphragm of the seal and the pressure measuring device. The diaphragm seal task is to isolate the pressure measuring device from damaging impacts caused by either medium or installation:

- low or high temperature, increased viscosity, impurities;
- vibrations of the installation (remote diaphragm seal).

**Recommended minimum measuring range (bar),
depending on the type of the set: pressure measuring device - diaphragm seal**

Pressure measuring device	Diaphragm seal type	Diaphragm seal version		
		DN50 / 2"	DN80 / 3"	DN100 / 4"
Smart transmitters*	direct	0.10	0.025	0.025
	remote (2 m)	1	0.25	0.25
PCE-28	direct	0.1	0.1	0.1
	remote (2 m)	1	0.25	0.25
Ø63 gauge	direct	1	1	1
	remote (2 m)	2.5	1	1
Ø100 gauge	direct	1	1	1
	remote (2 m)	2.5	1	1
Ø160 gauge	direct	6	1	1
	remote (2 m)	6	1	1

* The ranges given in the table for the smart transmitters should be taken as set ranges.

Recommendations

The essential metrological problem at diaphragm seals operational use is an absolute thermal zero error, resulting from the thermal expansion of the manometer liquid. The expansion effect must be compensated for with the separating diaphragm flexibility.

To minimise this effect, it is advisable to:

- use capillaries as short as possible, in this way the volume of manometer liquid will be reduced;
- use the greater diameter seals, in order to maximise the separating diaphragm flexibility;
- locate the capillaries in the places, in which the temperature fluctuations will be minimal.

Zero error from ambient temperature change

Diaphragm seal type	Absolute zero error per 10°C for the diaphragm seal		
	DN50 / 2"	DN80 / 3"	DN100 / 4"
direct	0.5 mbar	0.4 mbar	0.4 mbar
remote (2 m capillary)	3 mbar	1 mbar	1 mbar

An additional zero error, resulting from temperature fluctuations in a medium, depends on the temperature gradient in the oil-based diaphragm sealing system. The error value is, in any case, significantly smaller than the error value shown in the table.

Temperature range of measured medium

Remote diaphragm seal			Direct diaphragm seal
Manometric liquid	Underpressure measurements	Overpressure measurements	
very high temperature (DH)	max. 200°C for p > 0,05bar ABS	15...380°C	-30...150°C
high temperature (DC)	max. 250°C for p > 0,1bar ABS	-10...315°C	
low temperature (AK)	not recommended for measurement of pressures < 0,2 bar ABS	-60...200°C	

Note: When operating with an ambient temperature of < -15°C, heating of capillaries filled with DC fluid is recommended.

Special versions

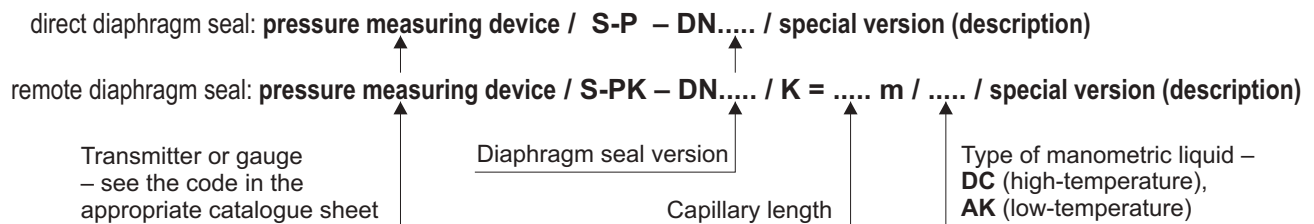
Maximum pressure for PN40 – 40 bar
Maximum pressure for ANSI 150 – 150 psi
Material of diaphragm and flange: 316Lss

- Other standard ANSI or DIN
- Filled with edible oil (medium temp. -10...150°C)
- Direct diaphragm seal for medium temp. over 150°C
- Others

Important:

- standard outlet capillary from flange:
 - direct mounted diaphragm seal - axial
 - remote mounted diaphragm seal - radial
 - other configuration available on request

Ordering procedure



Example: PCE-28 pressure transmitter, Exia version, measuring range 0 ÷ 1 bar, cable connection, direct flanged seal with flush diaphragm

PCE-28 / Exia / 0 ÷ 1 bar / PK / S-P – DN50PN40

Flanged seals with extended diaphragm S-T

Acc. PN-EN-1092-1:2010 Type B1
(DN50PN40, DN80PN40, DN100PN40)

Length of cover:
54 mm for capillary ≤ 3 m
84 mm for capillary > 3 m

Capillary from 1 to 3 m
(special versions up to 6 m)

Direct connection with:
smart and analog pressure and
differential pressure transmitters
gauges: Ø63, Ø100, Ø160

Remote connection with:
smart and analog
pressure and differential
pressure transmitters
gauges:
Ø63, Ø100, Ø160

Diaphragm seal type S-TK-P- diaphragm seal with direct diaphragm cleaning system (Chapter III/ 18)

Diaphragm seal dimensions

Version	Diaphragm diameter Dm	Contact face diameter d1	Diameter of bolt circle K	External diameter D	Thickness d	Diameter of holes L	Number of holes	Tube length T
DN50 PN40	48	102	125	165	22	18	4	50, 100
2" ANSI 150	48	92	120,5	150	20	20	4	
DN80 PN40	75	138	160	200	24	18	8	150, 200
3" ANSI 150	75	127	152,5	190	24	20	4	
DN100 PN40	88	162	190	235	24	22	8	50, 100
4" ANSI 150	89	158	190,5	230	24	20	8	

Application

The diaphragm seal is a pressure-transmitting, diaphragm-type device. The pressure signal is sent to the cooperating pressure measuring device (pressure transmitter, pressure gauge) through manometric liquid filling the space between the separating diaphragm of the seal and the pressure measuring device. The diaphragm seal task is to isolate the pressure measuring device from damaging impacts caused by either medium or installation:

- low or high temperature, increased viscosity, impurities;
- tendency to crystallisation on the tank walls;
- vibrations of the installation (remote diaphragm seal).

The flanged diaphragm seal with extended diaphragm is typically applied to measure the pressure or level of the media in a multi-walled tank, where the separating diaphragm should be placed close to the inner wall of the tank.

**Recommended minimum measuring range (bar),
depending on the type of the set: pressure measuring device - diaphragm seal**

Pressure measuring device	Seal type	Wykonanie separatora		
		DN50 / 2"	DN80 / 3"	DN100 / 4"
Smart transmitters*	direct	0,1	0.1	0.1
	remote (2 m)	6	0.5	0.25
PCE-28	direct	0.1	0.1	0.1
	remote (2 m)	2	0.5	2.5
Ø63 manometer	direct	1	1	1
	remote (2 m)	2.5	2.5	1
Ø100 manometer	direct	1	1	1
	remote (2 m)	2.5	2.5	1
Ø160 manometer	direct	6	1	1
	remote (2 m)	6	2.5	1

* The ranges given in the table for smart transmitters should be taken as set ranges

Recommendations

The essential metrological problem at diaphragm seals operational use is an absolute thermal zero error, resulting from the thermal expansion of the manometer liquid. The expansion effect must be compensated for with the separating diaphragm flexibility.

To minimise this effect, it is advisable to:

- use capillaries as short as possible, in this way the volume of manometer liquid will be reduced;
- use the greater diameter seals, in order to maximise the separating diaphragm flexibility;
- locate the capillaries in the places, in which the temperature fluctuations will be minimal.

Zero error from ambient temperature change - diaphragm seal with a 100 mm of tube

Diaphragm seal type	Absolute zero error per 10°C for the diaphragm seal		
	DN50 / 2"	DN80 / 3"	DN100 / 4"
direct	2 mbar	0.6 mbar	0.4 mbar
remote (2 m capillary)	10 mbar	2 mbar	1 mbar

An additional zero error, resulting from temperature fluctuations in a medium, depends on the temperature gradient in the oil-based diaphragm sealing system. The error value is, in any case, significantly smaller than the error value shown in the table.

Temperature range of measured medium

Remote diaphragm seal			Direct diaphragm seal
Manometric liquid	Underpressure measurements	Overpressure measurements	
very high temperature (DH)	max. 200°C for p > 0,05 bar ABS	15...380°C	-30...150°C
high temperature (DC)	max. 250°C for p > 0,1 bar ABS	-10...315°C	
low temperature (AK)	not recommended for measurement of pressures < 0,2 bar ABS	-60...200°C	

Note: When operating with an ambient temperature of < -15°C, heating of capillaries filled with DC fluid is recommended.

Special versions

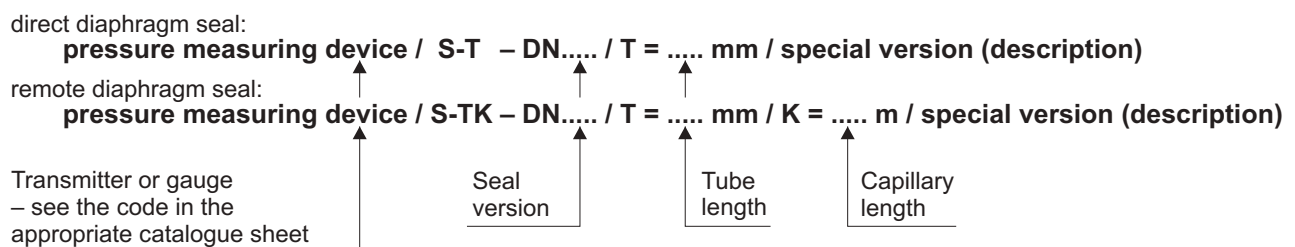
Maximum pressure for PN40 – 40 bar
Maximum pressure for ANSI 150 – 150 psi
Material of diaphragm, tube and flange: 316Lss

Other standards DIN and ANSI
 Direct diaphragm seal for medium temp. over 150°C
 Others

Important:

- standard outlet capillary from flange:
 - direct mounted diaphragm seal - axial
 - remote mounted diaphragm seal - radial
 - other configuration available on request

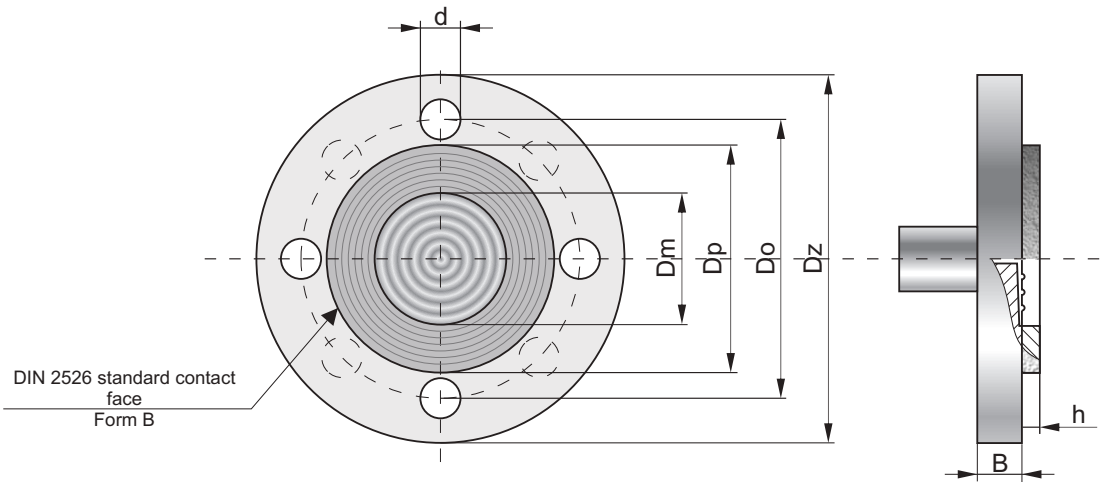
Ordering procedure



Example: APC-2000ALW pressure transmitter, nominal measuring range 0 ÷ 25 bar, DN 50 remote flanged seal with extended diaphragm, 100 mm tube, 2 m capillary.

APC-2000ALW / 0 ÷ 25 bar / S-TK – DN50PN40 / T = 100 mm / K = 2 m

Chemical flanged seals with flush diaphragm S-Ch



Diaphragm seal dimensions acc. to DIN EN1092-1

Material of wetted parts	Version	Diaphragm diameter Dm	Contact face dia. Dp	Dia. of bolt circle Do	External diameter Dz	Thickness B	Thickness h	Diameter of holes d	Number of holes
Hastelloy, Nickel, Monel	DN50PN10/40	59	98	125	165	18	7	18	4
	DN80PN25/40	89	132	160	200	22	7	18	8
Titanium	DN50PN10/40	59	98	125	165	24	6	18	4
	DN80PN25/40	89	138	160	200	22	6	18	8
Tantalum	DN50PN10/40	59	102	125	165	18	3	18	4
	DN80PN25/40	89	138	160	200	22	3	18	8
Tantalum/Teflon	DN50 PN16	59	102	125	165	18	8	18	4
	DN80PN10/16	89	138	160	200	22	8	18	8
Teflon	DN50PN10/40	59	102	125	165	18	7	18	4
	DN80PN25/40	89	138	160	200	22	7	18	8

Diaphragm seal dimensions acc. to ANSI ASME 16.5

Material of wetted parts	Version	Diaphragm diameter Dm	Contact face dia. Dp	Dia. of bolt circle Do	External diameter Dz	Thickness B	Thickness h	Diameter of holes d	Number of holes
Hastelloy, Nickel, Monel	2" ANSI 150	59	92	120,5	150	18	7	20	4
	3" ANSI 150	89	123	152,5	190	22	7	20	4
Titanium	2" ANSI 150	59	92	120,5	150	18	2	20	4
	3" ANSI 150	89	127	152,5	190	22	2	20	4
Tantalum	2" ANSI 150	59	92	120,5	150	18	8	20	4
	3" ANSI 150	89	127	152,5	190	22	8	20	4
Tantalum/Teflon	2" ANSI 150	59	92	120,5	150	18	7	20	4
	3" ANSI 150	89	127	152,5	190	22	7	20	4

Application

The diaphragm seal is a pressure-transmitting, diaphragm-type device. The pressure signal is transferred to the cooperating pressure measuring device (pressure transmitter, pressure gauge) through manometric liquid filling the space between the separating diaphragm of the seal and the pressure measuring device. The diaphragm seal function is to isolate the pressure measuring device from damaging impacts caused by either medium or installation:

- high corrosiveness;
- low or high temperature, increased viscosity, impurities;
- vibrations of the installation (remote diaphragm seal).

**Recommended minimum measuring range (bar),
depending on the type of the set: pressure measuring device - diaphragm seal**

Pressure measuring device	Diaphragm seal type	Diaphragm seal version	
		DN50 PN16	DN80 PN40
Transmitter	direct	0.4	0.1
	remote	1	0.4
Gauge Ø100	direct	1	1
	remote	2.5	2.5

Available chemical-resistant materials

Diaphragm material	Contact face material	Over pressure limit
Monel	Monel	40 bar
Hastelloy	Hastelloy	40 bar
Nickel	Nickel	40 bar
Tantalum	Tantalum	40 bar
Tantalum	Teflon	16 bar
Titanium	Titanium	40 bar
Teflon	Teflon	40 bar
Gold	Gold	40 bar

Zero error from ambient temperature change

Diaphragm seal type	Absolute zero error per 10°C for the diaphragm seal	
	DN50	DN80
direct	5 mbar	2 mbar
remote (2 m capillary)	10 mbar	4 mbar

An additional zero error, resulting from temperature fluctuations in a medium, depends on the temperature gradient in the oil-based diaphragm sealing system. The error value is, in any case, significantly smaller than the error value shown in the table.

Medium temperature range

-30...180°C for remote diaphragm seal
special versions up to 250°C
-30...150°C for diaphragm seal

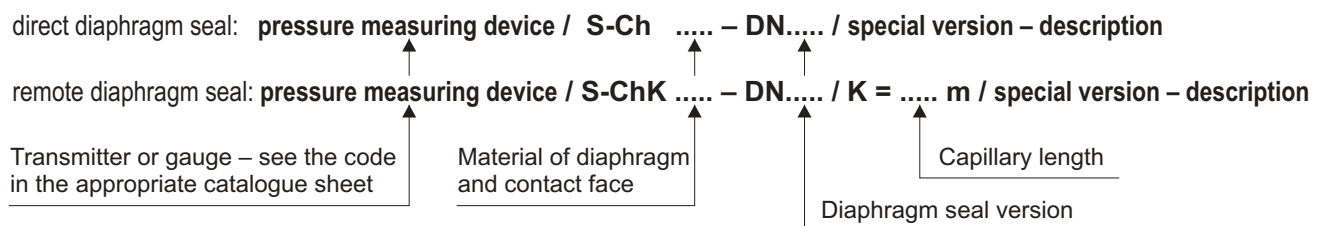
Special versions

- Filling liquid – FLUOROLUBE
- Direct diaphragm seal for a medium temp. over 150°C
- Gold plated wetted parts material- after consulting with Aplisens.

Important:

- standard outlet capillary from flange:
direct mounted diaphragm seal - axial
remote mounted diaphragm seal - axial
other configuration available on request

Ordering procedure

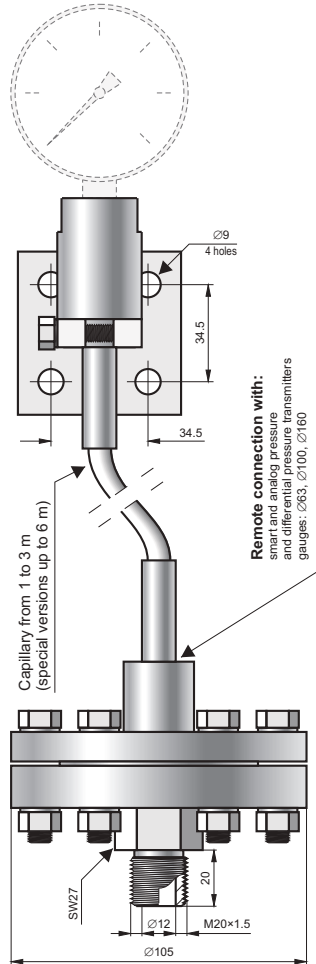


Example: APCE-2000PZ pressure transmitter, nominal measuring range 0÷1bar, direct chemical flanged seal with flush diaphragm and contact face made from titanium (DN80).

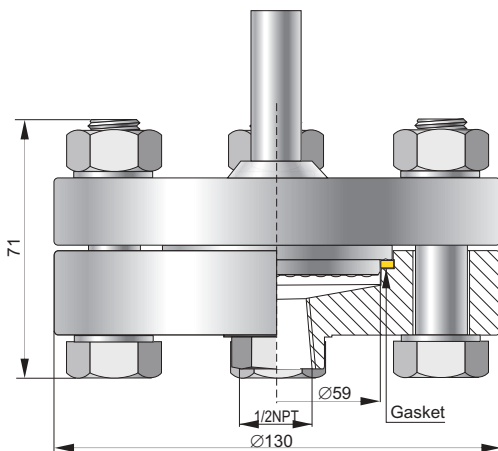
APCE-2000PZ / 0 ÷ 1 bar / S-Ch Titanium/Titanium – DN80PN40

When ordering a diaphragm seal please state the type of medium and the expected ranges of concentration and temperature.

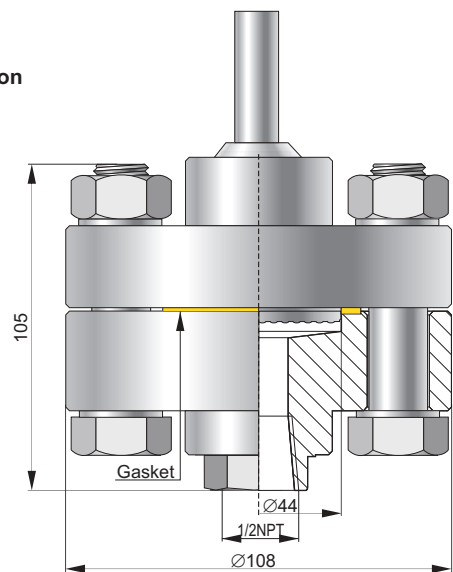
Threaded seals with large diaphragm S-Comp...



Type S-Comp
Mounting part with process connection
M20×1.5 (P type); G1/2" (GP type)



Type S-Comp10M
Mounting part with process connection
1/2"NPTF



Type S-Comp25M
Type S-Comp60M
Mounting part with process connection
1/2"NPTF

Application

The diaphragm seal is a pressure-transmitting, diaphragm-type device. The pressure signal is sent to the co-operating pressure measuring device (pressure transmitter, pressure gauge) through manometric liquid filling the space between the separating diaphragm of the seal and the pressure measuring device. The diaphragm seal task is to isolate the pressure measuring device from damaging impacts caused by either medium or installation:

- low or high temperature, increased viscosity, impurities;
- vibrations of the installation (remote diaphragm seal);
- pressure fluctuations.

S-Comp diaphragm seals have a large separating diaphragm ($\varnothing 70$) while retaining a compact economic overall design. Benefits of S-Comp diaphragm seals include:

- the ability to take measurements within a narrow range;
- simplicity of assembly.

Maximum measuring range:

Type S-Comp:	0...16bar	Type S-Comp10M:	0...100bar
Type S-Comp25M:	0...250bar	Type S-Comp60M:	0...600bar

Recommended minimum measuring range (bar), depending on the type of the set: pressure measuring device - diaphragm seal

Diaphragm seal type	Transmitters APCE-2000*, PCE-28	Gauge $\varnothing 63$	Gauge $\varnothing 100$	Gauge $\varnothing 160$
direct	0.2	1	1	1
remote	0.5	2.5	2.5	2.5

* The ranges given in the table for the smart APC-2000 transmitter should be taken as set ranges.

Zero error from ambient temperature change

Diaphragm seal type	Absolute error of zero
direct	0.6 mbar / 10°C
Remote (2m capillary)	2 mbar / 10°C

An additional zero error, resulting from temperature fluctuations in a medium, depends on the temperature gradient in the oil-based diaphragm sealing system. The error value is, in any case, significantly smaller than the error value shown in the table.

Medium temperature range

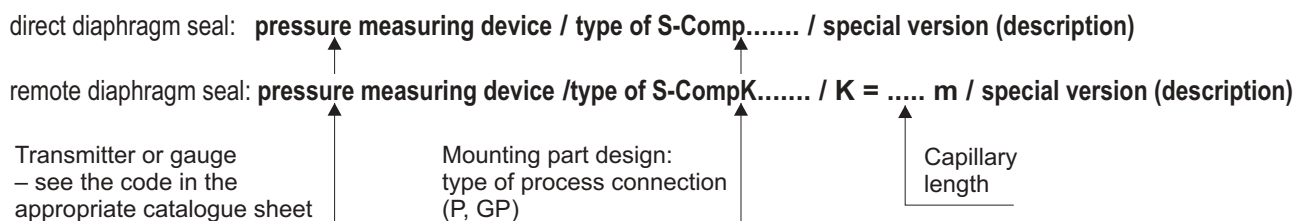
- 30...200°C for remote diaphragm seal
- 30...150°C for direct diaphragm seal

**Material of diaphragm,
flange and mounting part**
00H17N14M2 (316Lss)

Special versions

- Diaphragm made of Hastelloy C 276
- Capillary outlet at the side of the diaphragm seal
- Direct diaphragm seal for medium temp. over 150°C
- Others

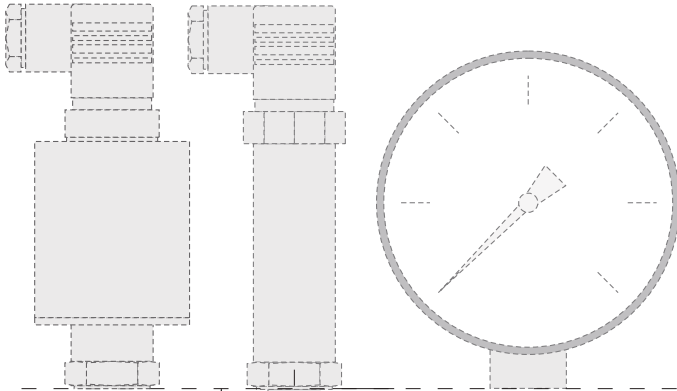
Ordering procedure



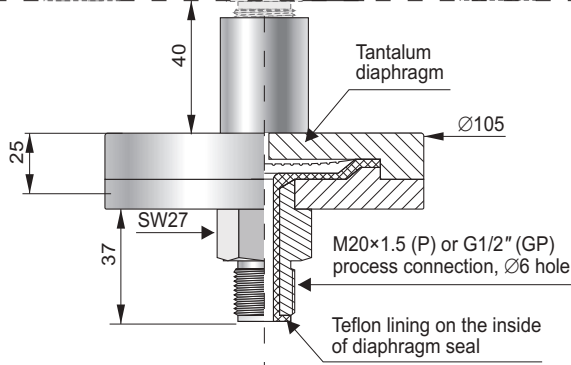
Example: MS-100 gauge, measuring range 0+6bar, process connection outlet bottom, remote threaded seal with large diaphragm and separable mounting part with process connection M20×1.5, capillary length 1.5 m.

MS-100 / 0 ÷ 6 bar / S-CompK M20×1.5 / K = 1.5 m

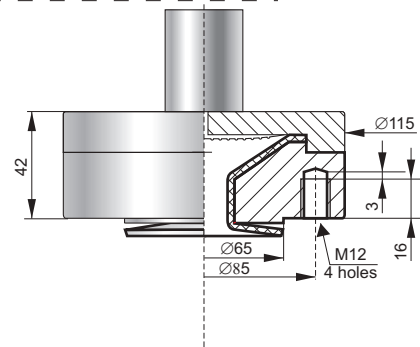
Threaded chemical seals with large diaphragm S-CompCh



- ✓ Measurement the pressure of hydrochloric, sulphuric and nitric acids in any concentration
- ✓ Measurement the pressure of chlorine



Version with M20x1,5 process connection



Version with process connection size DN25

Application

S-CompCh seals are applicable for measuring the pressure of corrosive media. The wetted parts of the diaphragm seal are made of Teflon and tantalum. Several corrosive chemicals, except for hydrofluoric acid, gaseous fluorine and soda lye, can be measured.

Recommended minimum measuring range (bar), depending on the type of the set: pressure measuring device - diaphragm seal

Diaphragm seal type	Transmitter	Gauge Ø100
direct	0.4	1
remote	1	6

Zero error from ambient temperature change

direct diaphragm seal: 1 mbar / 10°C

remote diaphragm seal (2m capillary): 6 mbar / 10°C

An additional zero error, resulting from temperature fluctuations in a medium, depends on the temperature gradient in the oil-based diaphragm sealing system. The error value is, in any case, significantly smaller than the error value shown above.

Maximum measuring range 0...16 bar
Over pressure limit 25 bar
Medium temperature range -30...100°C

Ordering procedure

direct diaphragm seal: **pressure measuring device / S-CompCh**

remote diaphragm seal: **measuring device / S-CompChK** / K = m

Transmitter or gauge – see the code in the appropriate catalogue sheet

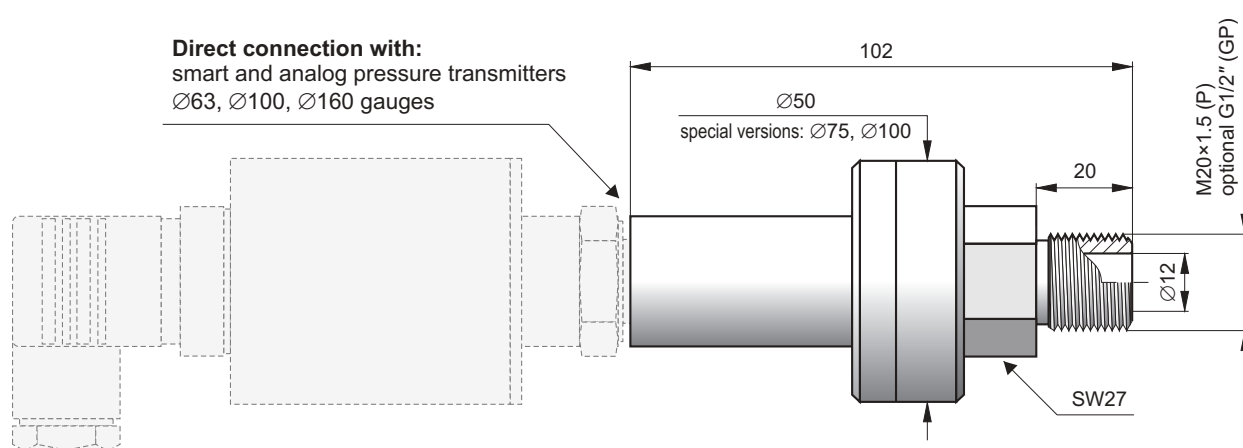
Type of process connection: P, GP, DN25

Capillary length

Example: APCE-2000PZ- pressure transmitter, nominal measuring range 0÷7 bar, threaded chemical seal with large diaphragm, GP process connection G1/2".

APCE-2000PZ / 0 ÷ 7 bar / S-CompCh GP

Threaded seals with large diaphragm S-Mazut



Application

The S-Mazut diaphragm seal is applicable to measurement of viscous liquids, at temperatures up to 150°C (300°C when remote diaphragm seal is used). A typical

application is to measure the pressure of heavy fuel oil (petroleum atmospheric residue) in burners and in heat centers of power boilers.

Recommended minimum measuring range (bar), depending on the type of the set: pressure measuring device - diaphragm seal

Diaphragm seal type	Pressure transmitter			Ø100 gauge		
	S-Mazut	S-Mazut75	S-Mazut100	S-Mazut	S-Mazut75	S-Mazut100
direct	2,5 bar	0,1 bar	0,05 bar	2,5 bar	1 bar	1 bar
remote	6 bar	0,4 bar	0,25 bar	6 bar	2,5 bar	1 bar

Zero error from ambient temperature change

Diaphragm seal type	S-Mazut	S-Mazut75	S-Mazut100
direct	4 mbar / 10°C	2 mbar / 10°C	0,8 mbar / 10°C
Remote (capillary 2m)	5 mbar / 10°C	3 mbar / 10°C	1 mbar / 10°C

For a set: pressure transmitter - special diaphragm seal (special diaphragm seal means the larger diaphragm diameter), there is the following relation: the quantity of thermal errors decreases proportionally to the cubed value of the active diameter of the separating diaphragm (i.e. to the diameter value raised to the third power).

An additional zero error, resulting from temperature fluctuations in a medium, depends on the temperature gradient in the oil-based diaphragm sealing system. The error value is, in any case, significantly smaller than the error value shown above.

Maximum measuring range 0...70 bar

Overpressure limit

S-Mazut	110 bar
S-Mazut75	50 bar
S-Mazut100	40 bar

Medium temperature range

- 10...315°C for remote seal
- 10...150°C for direct seal

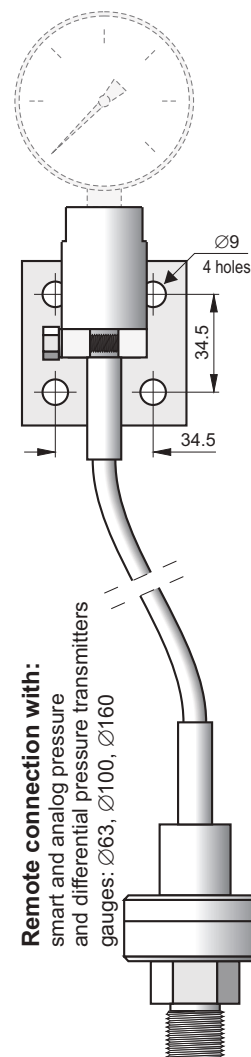
Material of diaphragm and seal 316Lss

Special versions

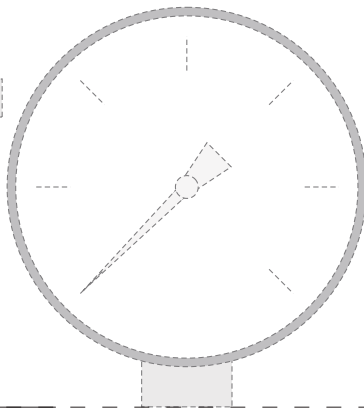
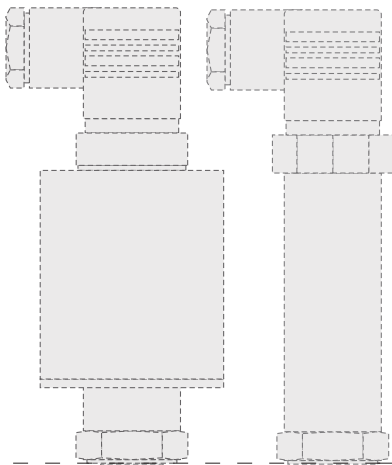
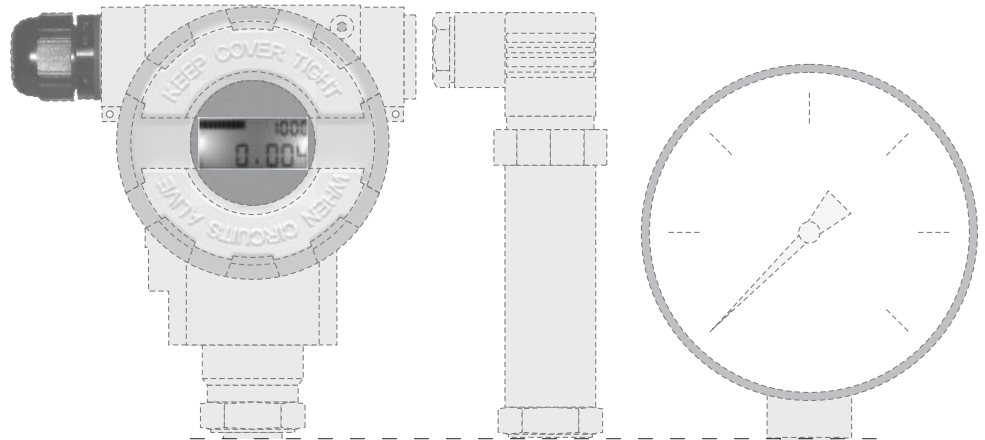
Ø75 and Ø100 versions for low ranges
Others

Ordering procedure

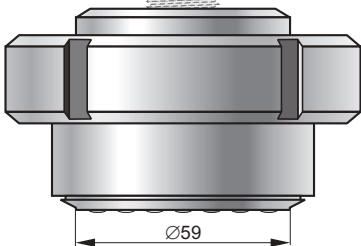
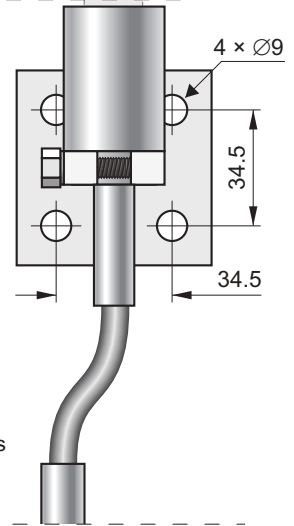
direct diaphragm seal:
pressure measuring device / S-Mazut / type of process connection P, GP / special version (description)
 remote diaphragm seal:
pressure measuring device / S-MazutK / K = m / type of process connection P, GP / special version (description)
 Transmitter or gauge
 – see the code in the appropriate catalogue sheet
 Capillary length



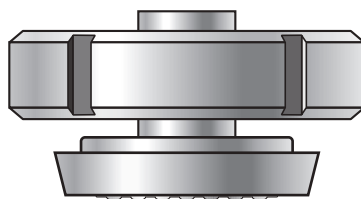
Sanitary diaphragm seals



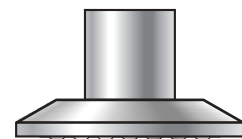
Direct or remote connection with:
 smart and analog pressure and differential pressure transmitters gauges: Ø63, Ø100, Ø160



S-Poziom 50mm diaphragm seal

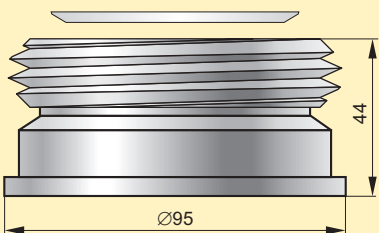


S-DIN 50mm diaphragm seal

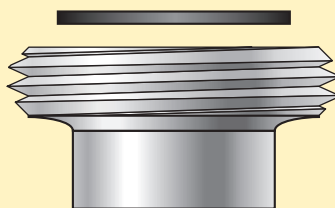


S-Clamp 2" diaphragm seal

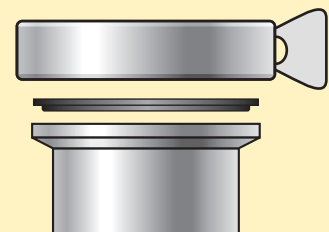
Fitting accessories for sanitary diaphragm seals if required



Socket S-Poziom with a gasket



DIN 11851, size 50mm connection with a gasket



Tri-Clamp, size 2" connection with clamp and gasket

Application

The diaphragm seal is a pressure-transmitting, diaphragm-type device. The pressure signal is sent to the cooperating pressure measuring device (pressure transmitter, pressure gauge) through manometric liquid filling the space between the separating diaphragm of the seal and the pressure measuring device. The diaphragm seal task is to isolate the pressure measuring device from damaging impacts caused by either medium or installation:

- low or high temperature, increased viscosity, impurities;
- vibrations of the installation (remote diaphragm seal);
- pressure fluctuations.

The both S-DIN and S-Clamp types of sanitary diaphragm seals can be used under aseptic conditions. They are typically applied to measure the pressure of media in the food and pharmaceutical industries.

Aseptic S-Poziom separator is typically mounted in the bottom parts of tanks. The construction has a diaphragm placed forward and so it does not make a hollow in the surface of the tank bottom part, which eliminates the settling of either the material or washing agent in a connection of the pressure device.

Maximum measuring range 25bar

Recommended minimum measuring range (bar), depending on the type of the set: pressure measuring device - diaphragm seal

Diaphragm seal type	Smart transmitters*, PCE-28	Gauge Ø63	Gauge Ø100	Gauge Ø160
direct	0.1	1	1	6
remote	0.5	2.5	2.5	6

* The ranges given in the table for smart transmitters should be taken as set ranges.

Note: for measuring ranges lower than those listed in the table, we recommend special models of diaphragm seal, i.e.: Clamp 3" and DIN 80mm

Zero error from ambient temperature change

Diaphragm seal type	Absolute zero error	
	S-Clamp and S-DIN	S-Poziom
direct	0.8 mbar / 10°C	0.3 mbar / 10°C
Remote (2m capillary)	5 mbar / 10°C	3 mbar / 10°C

An additional zero error, resulting from temperature fluctuations in a medium, depends on the temperature gradient in the oil-based diaphragm sealing system. The error value is, in any case, significantly smaller than the error value shown in the table.

For a set: pressure transmitter - special diaphragm seal (special diaphragm seal means the larger diaphragm diameter), there is the following relation: the quantity of thermal errors decreases proportionally to the cubed value of the active diameter of the separating diaphragm (i.e. to the diameter value raised to the third power).

Medium temperature range

-30...200°C for remote diaphragm seal
 -20...150°C for direct diaphragm seal
 -30...85°C for measuring ranges to -1bar

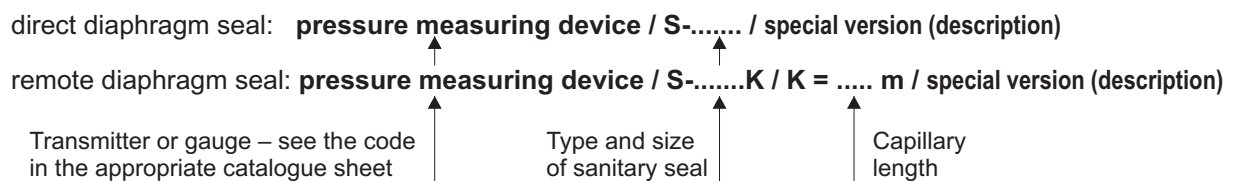
Material of diaphragm and seal

00H17N14M2 (316Lss)

Special versions

- ◇ filling liquid - edible oil (medium temp. range -10...150°C)
- ◇ Other sanitary seals, eg. DIN 25 mm, DIN 40 mm, Tri-Clamp 1", Tri-Clamp 1,5", SMS 50 mm, DRD, Homogenizator, Varivent
- ◇ Seal with customised connection
- ◇ Direct diaphragm seal for medium temp. over 150°C
- ◇ Others

Ordering procedure

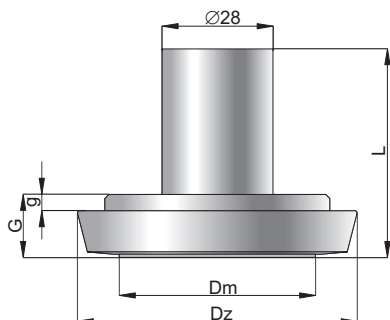


Example: PCE-28 pressure transmitter, measuring range 0÷6bar, field casing, direct sanitary diaphragm seal type S-DIN, size 50mm

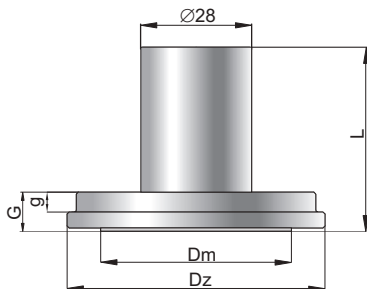
PCE-28 / 0 ÷ 6 bar / PZ / S-DIN 50

Diaphragm seal dimensions

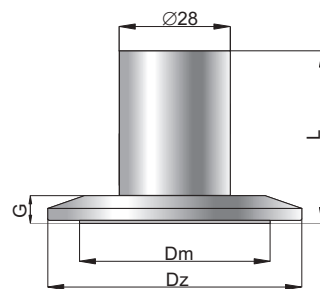
S-DIN



S-SMS



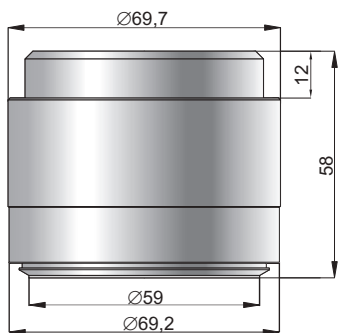
S-Clamp



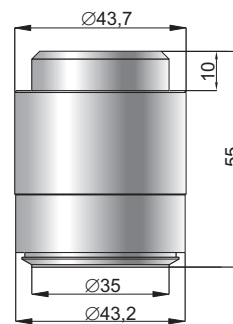
	Dz [mm]	Dm [mm]	G [mm]	g [mm]	L [mm]
S-DIN 25	44	25	15,8	5	52,3
S-DIN 32	50	30	15,8	5	52,3
S-DIN 40	56	35	14,8	4	51,3
S-DIN 50	68,5	48	15,8	4	51,3
S-DIN 65	86	59	16,8	4	52,3
S-DIN 80	100	75	16,8	4	52,3
S-SMS 1"	35,5	25	6,2	2	42,7
S-SMS 1,5"	54,9	35	10	4	46,5
S-SMS 2"	64,9	48	10	5	46,5

	Dz [mm]	Dm [mm]	G [mm]	L [mm]
S-Clamp 1"	50,5	22	7	43,5
S-Clamp 1,5"	50,5	35	7	43,5
S-Clamp 2"	64	48	7	43,5
S-Clamp 2,5"	77,5	54	7	43,5
S-Clamp 3"	91	70	7,8	44,3
S-Clamp 4"	119	89	9,8	45,8
S-Clamp DN 25	50,5	25	7	43,5
S-Clamp DN 40	50,5	35	7	43,5
S-Clamp DN 50	64	48	7	43,5
S-Clamp DN 65	91	70	7,8	44,3
S-Clamp DN 100	119	89	9,8	45,8

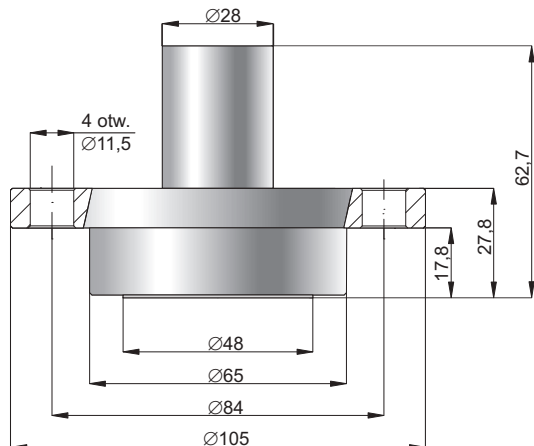
S-POZIOM 50



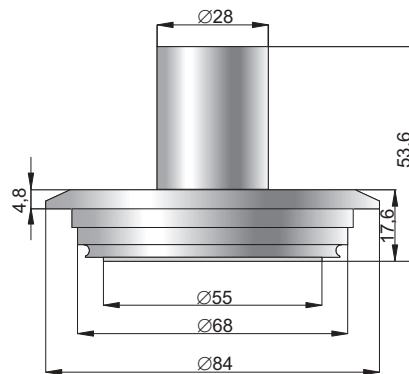
S-POZIOM 25



S-DRD 65

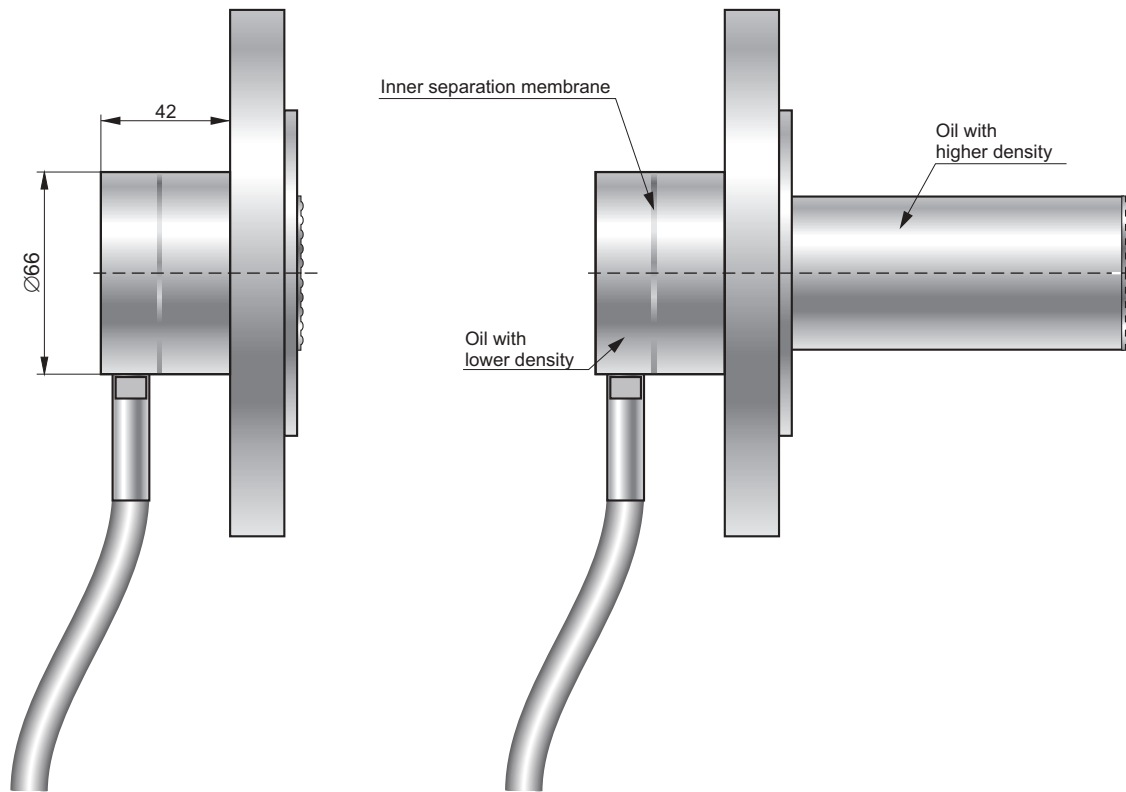


S-Varivent DN50



Flanged diaphragm seals for high-temperature applications in low ambient temperature **S-NORD**

NEW



S-NORD-PK-...

S-NORD-TK-...

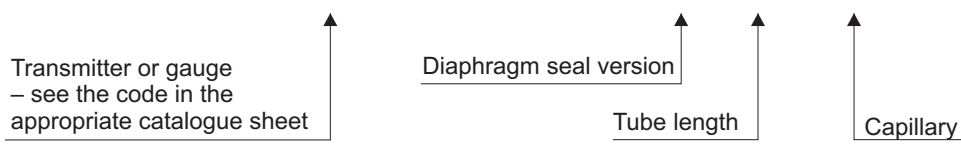
Application

S-NORD diaphragm seals are applicable to the measurement in high-temperature application in low ambient temperature. Diaphragm seal is filled with two different kind of silicon oils with different density separated by membrane. High-temperature oil which is used from the process side allows to use diaphragm seal for medium up to 380°C. Capillary is filled with oil with lower density and due to this devices with S-NORD diaphragm seal can be used in low ambient temperature. S-NORD diaphragm seals can be produced with all flanges described on pages III/2 (S-P diaphragm seals) and III/4 (S-T diaphragm seals) as well.

Ordering procedure

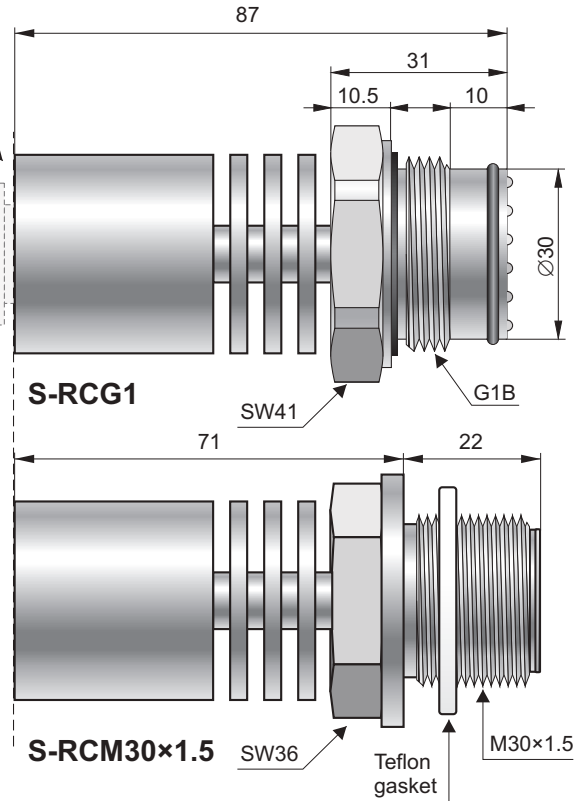
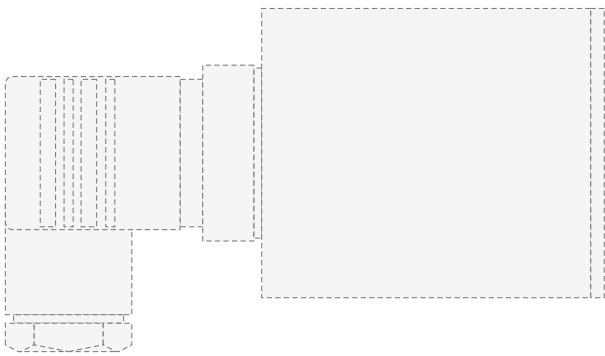
pressure measuring device / S-NORD-PK-DN... / K=...m

pressure measuring device / S-NORD-TK-DN... / T=...mm / K=...m



Threaded seals with flush diaphragm and radiator S-RC

Direct connection with:
smart and analog pressure transmitters



Application

S-RC diaphragm seals are applicable to the measurement of hot, viscous, solidifying or contaminated liquids, in any cases where an impulse line cannot be used.

Installation

For installation of transmitters with S-RC diaphragm seals, the Aplsens fitting sockets are recommended.

Recommended minimum measuring range 0.4bar
(for pressure transmitters)

Zero error from ambient temperature change

60 mbar / 10°C for range ≥ 2.5 bar

10 mbar / 10°C for range < 2.5 bar

An additional zero error, resulting from temperature fluctuations in a medium, depends on the temperature gradient in the oil-based diaphragm sealing system. The error value is, in any case, significantly smaller than the error value shown above.

Maximum measuring range

0...40 bar for S-RCG1 and S-RCM30x2

0...160 bar for S-RCM30x1.5

Overpressure limit

100 bar for S-RCG1 and S-RCM30x2; 250 bar for S-RCM30x1.5

Medium temperature range 0...160°C

Material of diaphragm and seal 00H17N14M2 (316Lss)

Special versions

- ◇ Diaphragm seal for temperatures up to 260°C
- ◇ Hastelloy – wetted parts of diaphragm seal made of Hastelloy C276 (overpressure limit 40 bar)
- ◇ Aseptic version S-RCG1, S-RCM30x2: sealing upstream the thread, filling liquid - edible oil (max. temp. 150°C)
- ◇ Others

Ordering procedure

transmitter / S-RC___ / special version – description

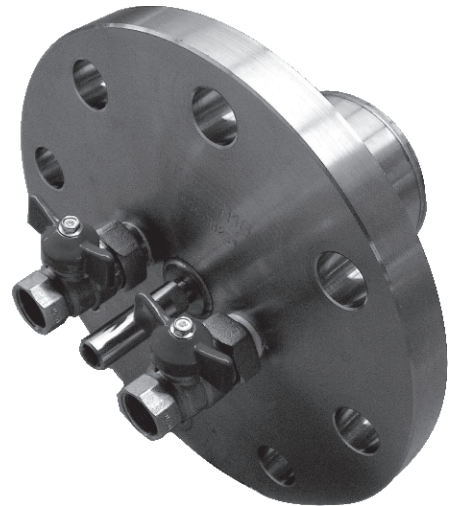
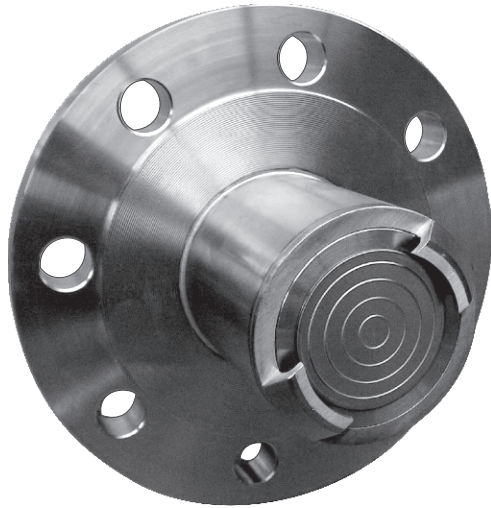
Pressure transmitter – see the code in the appropriate catalogue sheet

Type of process connection:
CG1", CM30x2, CM30x1.5

Example: PCE-28 pressure transmitter, range 0–1bar, cable electrical connection, S-RC diaphragm seal with CG1" process connection.

PCE-28 / 0 ÷ 1 bar / PK / S-RCG1

Flanged seals with extended diaphragm and direct diaphragm cleaning system S-TK-P



Application

S-TK-P diaphragm seals are special execution of flanged seals with extended diaphragm S-TK-DN100/T=100mm with additional diaphragm cleaning system.

S-TK-P are applicable to the measurement of very viscous medium. Cleaning system allows to clean membrane without dismounting diaphragm seal from the application.

Cleaning medium (e.g. water) is supplied to the membrane surface via two channels placed inside the diaphragm seal.

Cleaning is performed periodically with intervals suitable to the measured medium. Flushing channels are ended with two 1/2" ball valves in the back of diaphragm seal.



Ordering procedure

transmitter / S-TK-P / K = ... m

Pressure transmitter – see the code in the appropriate catalogue sheet

Capillary length

Example: APC-2000ALW transmitter, nominal measuring range 0÷1 bar, flanged seal with extended diaphragm and direct diaphragm cleaning system, 6 m capillary

APC-2000ALW / 0 ÷ 1 bar / S-TK-P / K = 6 m

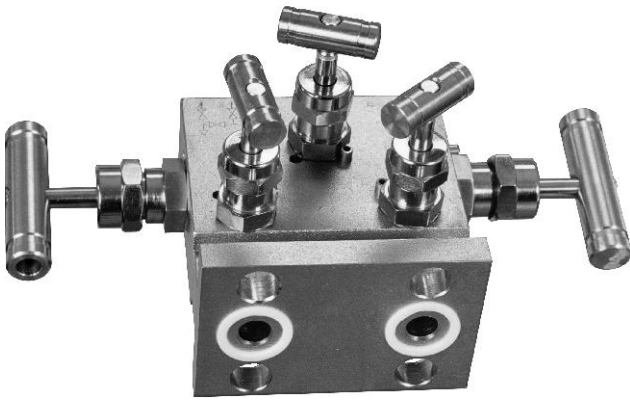
Chapter IV

Valves and fitting accessories

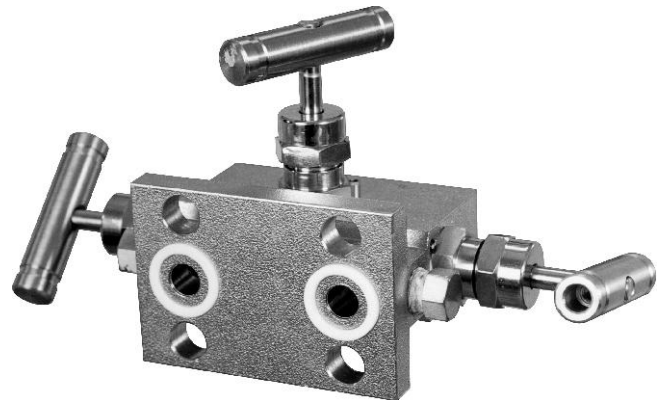
VM-3 and VM-5 valve manifolds	IV/ 2
Fitting accessories	IV/ 4

VM-3 and VM-5 valve manifolds

✓ Body material – stainless steel (316ss)



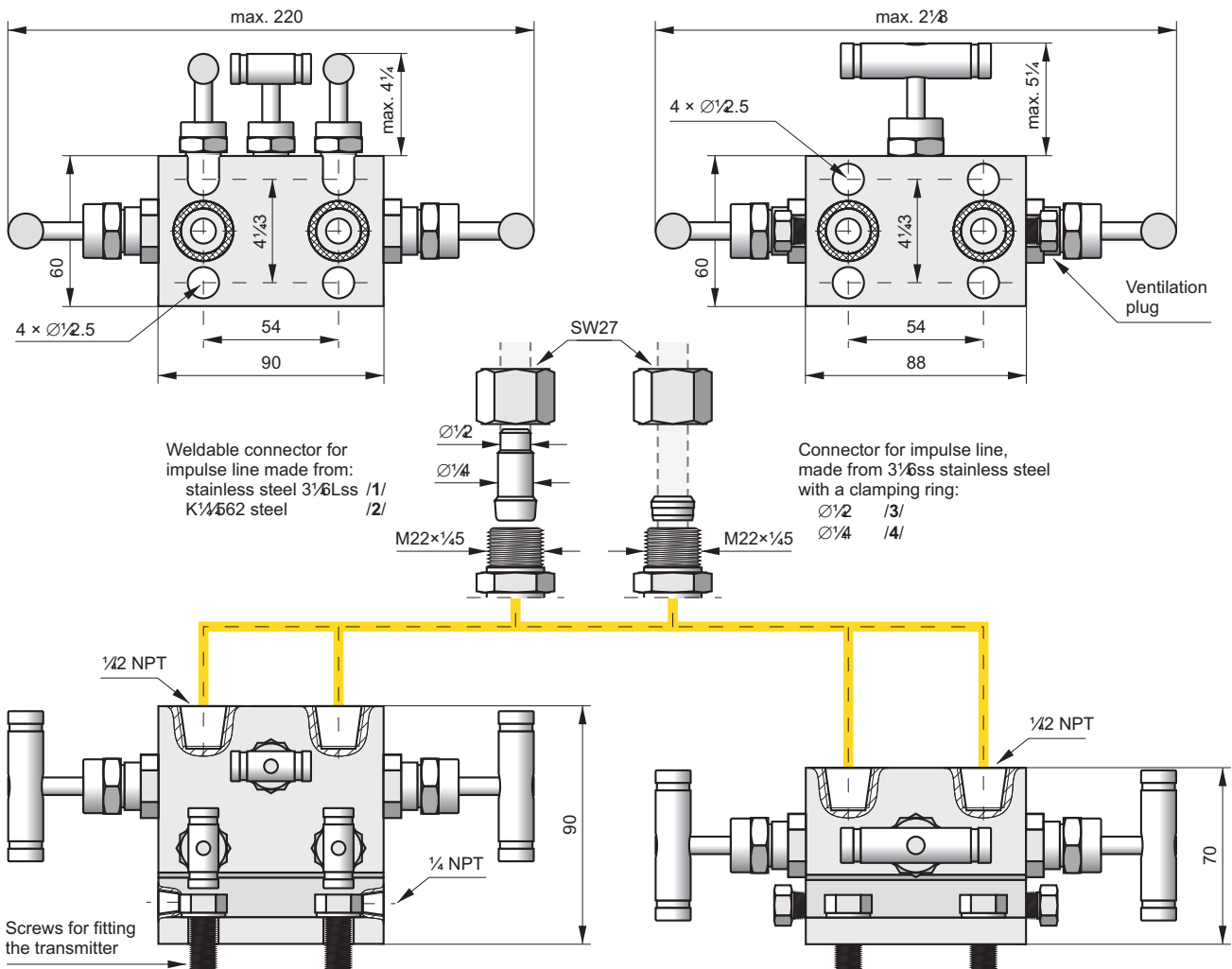
VM-5 valve



VM-3 valve

Features

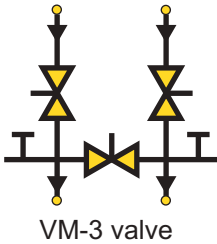
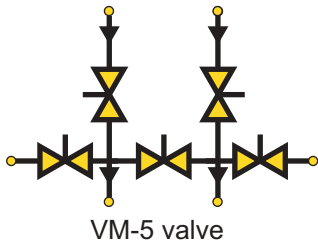
3-valve and 5-valve manifolds are used where relative pressure transmitters are installed. They enable essential operations to be performed on the transmitters, such as starting up a transmitter or setting the zero position in conditions of static or atmospheric pressure. The five-valve manifold also enables a calibrator to be connected for metrological testing of the transmitter. The VM-3 and VM-5 have a modern lightweight construction. The high precision of manufacture enables individual valves to be opened and closed easily.



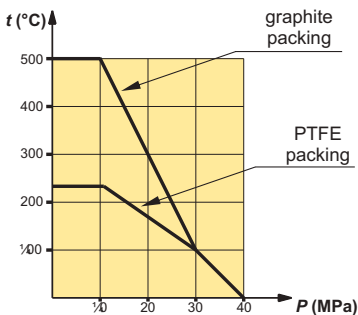
Technical parameters

Maximum pressure	420 bar (according to the graph)
Pin packing	PTFE or graphite
Body material	316ss
Weight: VM-3	1/8 kg
VM-5	2.54 kg
Connectors:	
to the installation	– 1/2 NPT sockets
to the transmitter	– 54 mm spacing

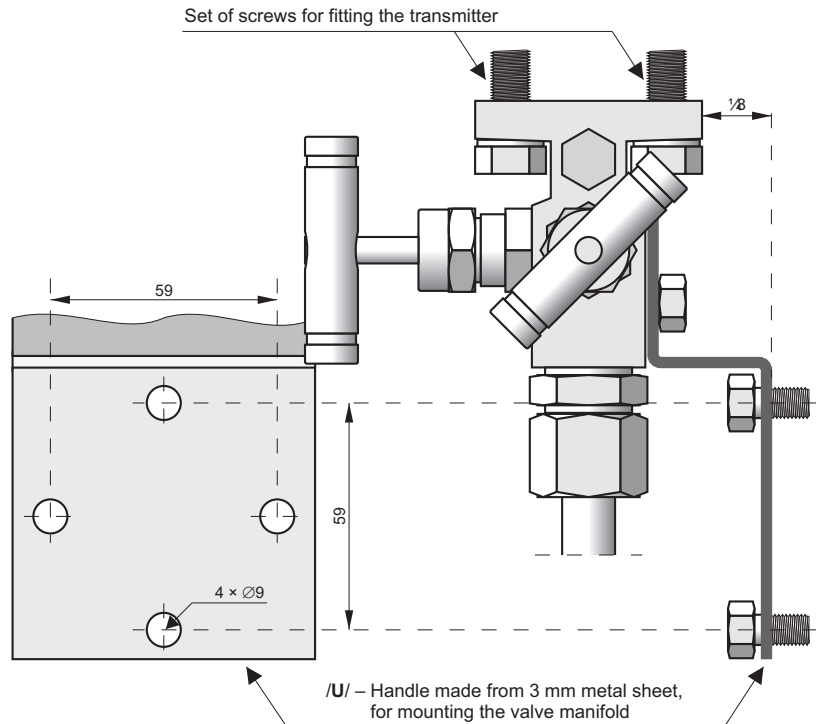
Connection diagrams



Operating pressure range as a function of temperature

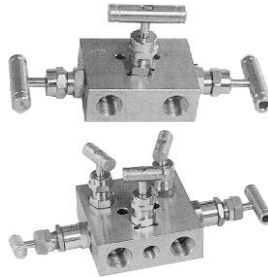


Example of installation of the VM-3 with fitting accessories

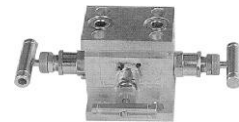


Special versions

Versions R



Versions H



Recommendations concerning selection of valves

The standard versions of the valves have Teflon pin packing; a special version is available with graphite packing. The special version should be used only when the valves operate at temperatures in excess of 200°C.

The valve manifold is supplied with seals for the collar-type output points. To order, it can be supplied additionally with a set of M1/4 or 7/16" screws for fitting the transmitter, connectors for impulse lines and a sheet-metal handle used to mount the valve on the construction.

Ordering procedure

Valve manifolds:

3-valve – VM-3 / / /

5-valve – VM-5 / / /

Special versions:

H – constructional versions (only VM-3)

R – constructional versions

Graphite – graphite pin packing

Tlen – valve adapted to contact with oxygen

NACE – NACE MR-0175 comply

Additional equipment – description:

Code

Product

A	Set of M1/4 screws for fitting the transmitter (up to 250 bar)
B	Set of 7/16" x 1/4" screws for fitting the transmitter (up to 4 1/2 bar)
C	Set of 7/16" x 2 1/4" screws for fitting the transmitter with covers type COPLANAR
D	Set of M1/4 screws for fitting the transmitter (up to 320 bar)
1	Set of weldable stainless steel connectors (316ss)
2	Set of weldable steel connectors (K14562)
3	Set of connectors with Ø1/2 clamping ring
4	Set of connectors with Ø1/4 clamping ring
U	Handle for mounting the valve

Fitting accessories - Valves



Needle valve VM-1

Material 316ss

Medium temperature, working pressure – according to the graph on page III/ 7

Ordering code:

Valve VM-1/M (input M20x1/2 M, output M20x1/2 F, Teflon packing)

Valve VM-1/G (input G1/2" M, output G1/2" F, Teflon packing)

Valve VM-1/graphite (input M20x1/2 M, output M20x1/2 F, Graphite packing)

Valve VM-1 oxygen (valve designed for contact with oxygen; input M20x1/2 M, output M20x1/2 F, Teflon packing)



Needle valve VM-1-R/R

Material 316ss

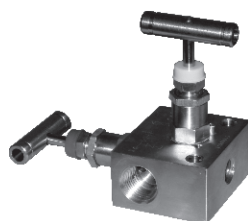
Medium temperature, working pressure – according to the graph on page IV/ 3

Input 1/2NPT F, output 1/2NPT F, Graphite packing, no vent port

Ordering code:

Valve VM-1-R/R/__

- 1 – Set of weldable stainless steel connectors (316ss)
- 2 – Set of weldable steel connectors (K1/2562)
- 3 – Set of connectors with Ø1/2 clamping ring
- 4 – Set of connectors with Ø1/4 clamping ring



2-Valve Manifold VM-2

Material 316ss

Medium temperature, working pressure – according to the graph on page IV/ 3

Input 1/2NPT F, output 1/2NPT F, Teflon packing, vent port 1/4 NPT F

Ordering code:

Valve VM-2-R/R/__

Valve VM-2-R/R/__

- 1 – Set of weldable stainless steel connectors (316ss)
- 2 – Set of weldable steel connectors (K1/2562)
- 3 – Set of connectors with Ø1/2 clamping ring
- 4 – Set of connectors with Ø1/4 clamping ring

Option

.../NACE - NACE MR-0175 comply



2-Valve Manifold VM-2-RM

Material 316ss

Medium temperature, working pressure – according to the graph on page IV/ 3

Input 1/2NPT F, output 1/2NPT F, Teflon packing, vent port 1/4 NPT F

Ordering code:

Valve VM-2-RM/M (input M20x1/2 M, output M20x1/2 F, Teflon packing, vent port 1/4 NPT F)

Valve VM-2-RM/G (input G1/2" M, output G1/2" F, Teflon packing, vent port 1/4 NPT F)

Valve VM-2-RM/1/2NPT (input 1/2"NPT M, output 1/2"NPT F, Teflon packing, vent port 1/4 NPT F)

Option:.

.../NACE - NACE MR-0175 comply



Ball valve

Material – H17N1/4M2 (316 ss)

Medium temperature - 80°C

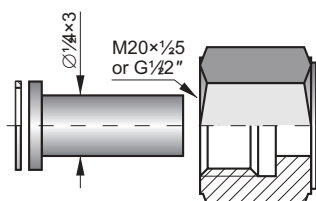
Max pressure - 100 bar

Input, output process connection: 1/2NPT F

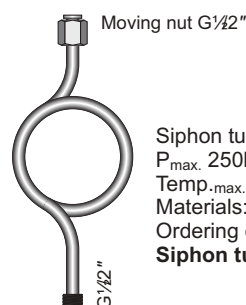
Ordering code:

Valve VM-1/B

Transmission tubes

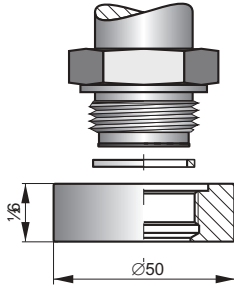


Connector to weld
Materials: 1/2HM – (SO) or 316Lss (S)
Ordering code
RedSpaw – S or SO / M20x1.5 or G1/2"

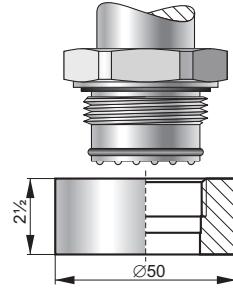


Siphon tube
P_{max.} 250bar
Temp_{p.max.} 300°C
Materials: 321ss
Ordering code
Siphon tube – S G1/2"

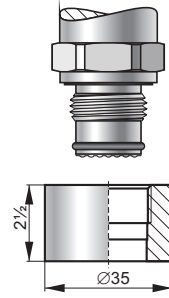
Fitting sockets



Socket with M30×2 thread for fitting transmitters with a CM30×2 process connection
Material – 3 $\frac{1}{2}$ Lss
Sealing – teflon
Ordering code **Socket CM30×2**

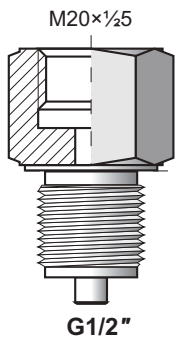


Socket with G $\frac{1}{2}$ " thread for fitting transmitters with a CG $\frac{1}{2}$ " process connection
Material – 3 $\frac{1}{2}$ Lss
Sealing – teflon
Ordering code **Socket CG1**



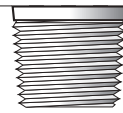
Socket with G $\frac{1}{2}$ " thread for fitting transmitters with a CG $\frac{1}{2}$ " process connection
Material – 3 $\frac{1}{2}$ Lss
Sealing – teflon
Ordering code **Socket CG1/2**

Adapters



Material – 3 $\frac{1}{2}$ Lss (S)
Ordering code: **Red**

Dimension of male thread



R1/2"



1/4NPT



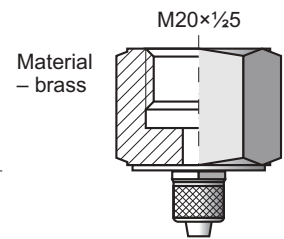
M12×1.5



G1/4"

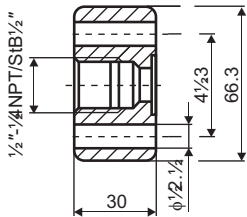
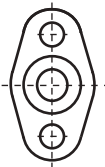


**1/2" NPT F
1/4" NPT F**



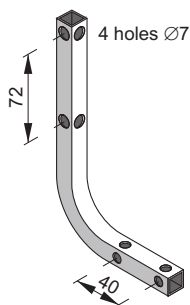
Material – brass

Ø6×1 elastic tube
Ordering code:
RedØ6 – M



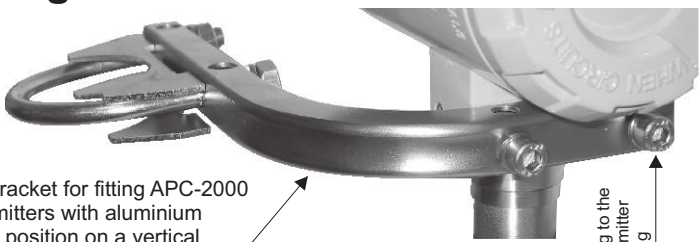
Adapter for differential pressure transmitters with C type process connection
Material – 3 $\frac{1}{2}$ Lss
Ordering code: **Red-dP/1/2" NPT**

Mounting brackets



Clasp for fitting on a pipe

Universal mounting bracket for fitting APC-2000 and APR-2000 transmitters with aluminium casing in any desired position on a vertical or horizontal pipe (Ø30...Ø50)



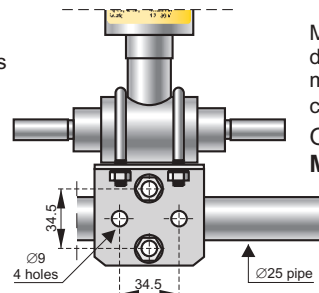
Ordering code:
AL: material zinc steel
AL(SS): material stainless steel

Fitting to the transmitter casing



Mounting bracket for fitting differential pressure transmitters with C and C(7/16) type process connections on a 2" pipe or on a wall

Ordering code:
C-2": mat. zinc steel, screws M1Ø
C-2"(SS): mat. I stainless steel, screws M1Ø
C-2"B: mat. zinc steel, screws 7/16" UNF
C-2"B(SS): mat. stainless steel, screws 7/16" UNF



Mounting bracket for fitting differential pressure transmitters with P type process connections on a Ø25 pipe.
Ordering code:
Mounting bracket FI 25

Chapter V

Hydrostatic level probes, hydrostatic density transmitter

Hydrostatic level probes SGE-25 and SGE-16	V/ 2
Hydrostatic level probe SGE-25/Hastelloy	V/ 4
Hydrostatic level probes SGE-25S and SGE-25C.....	V/ 6
Smart level probes SGE-25.Smart and SGE-25S.Smart, SGE-25.Smart/Modbus	V/ 8
Hydrostatic level probe PCE-28P	V/ 11
Smart level transmitter APC-2000ALW/L.....	V/ 12
Smart hydrostatic density transmitter PG-28.Smart.....	V/ 14
Level switches ERH	V/ 16
Magnetic level switch ERH-XX-20	V/ 19
Float level switch ERH-01-18.....	V/ 20

Hydrostatic level probes SGE-25 and SGE-16

- ✓ Any measurement range from 1 up to 500 m H₂O
- ✓ Integrated internal overvoltage protection circuit
- ✓ Marine certificate DNV
- ✓ ATEX Intrinsic safety

Application

The SGE-25 hydrostatic level probe is applicable to measure liquid levels in tanks, deep wells or piezometers.

The SGE-16 probe is a specialized device designed to measure water levels in narrow diameter piezometers or wells.

Principles of operation, construction

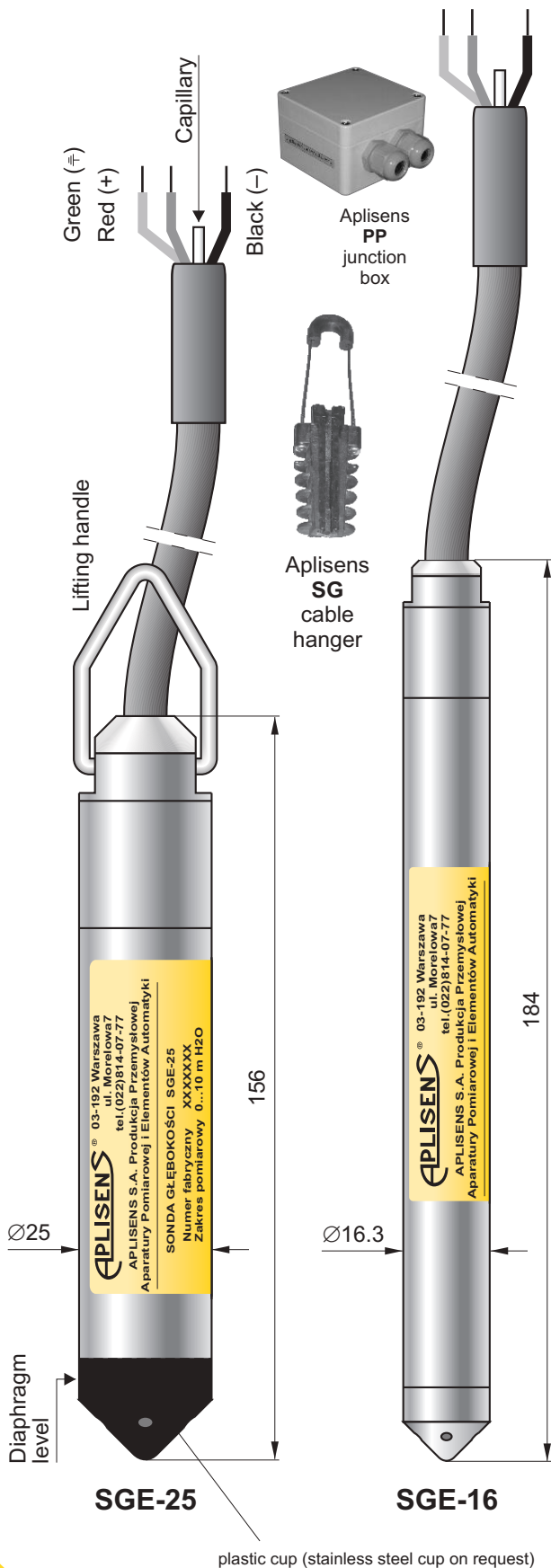
The probe measures liquid levels, basing on a simple relationship between the height of the liquid column and the resulting hydrostatic pressure. The pressure measurement is carried out on the level of the separating diaphragm of the immersed probe and is related to atmospheric pressure through a capillary in the cable.

The active sensing element is a piezoresistant silicon sensor separated from the medium by an isolating diaphragm. The electronic amplifier, which works in combination with the sensor, and is meant to standardize the signal, is additionally equipped with an overvoltage protection circuit, which protects the probe from damage caused by induced interference from atmospheric discharges or from associated heavy current engineering appliances.

Installation, method of use

When lowered to the reference level, the probe may either hang freely on the cable or lie on the bottom of the tank. The cable with the capillary can be extended using a standard signal cable. For the cable connection a special Aplisens **SG** cable hanger is recommended. The cable connection should be situated in a non-hermetically sealed box (the internal pressure inside the box should be equal to the atmospheric pressure), preventing water or other contaminants from getting into the capillary. The Aplisens **PP** junction box is recommended. For systems with long signal transmission lines, it is recommended the using of an additional Aplisens UZ-2 overvoltage protection circuit in the form of a wall-mounted box which allows the cables connection. When the probe cable is being wound up, the minimum winding diameter should be 30cm and the cable should be protected from mechanical damage.

If there is a possibility of turbulence in the tank (for example, because of the mixer operating mixers or a turbulent inflow), the probe should be installed inside a screening tube (e.g. made of PVC). If the probe is to be lowered deeper than 100m, the cable should be hanged at steel lifting rope. Cleaning the probe diaphragm by mechanical means is strictly prohibited.



plastic cup (stainless steel cup on request)

Technical data for the SGE-25 level probe

Measuring range

Any measuring range 1 ÷ 500 m H₂O (the standard ranges: 4, 10, 25, 60, 100 m H₂O are recommended)

	Measuring Range		
	1 m H ₂ O	4 m H ₂ O	0...10 m H ₂ O ÷ 500 m H ₂ O
Overpressure Limit (repeatable – without hysteresis)	40 × range	25 × range	10× range (max. 700 m H ₂ O)
Accuracy % FSO acc. to IEC 60770	0,6%	0,3%	0,2%
Accuracy % FSO acc. to BFSL	0,3%	0,15%	0,1%
Thermal error	Typical 0,3% / 10°C max 0,4% / 10°C		Typical 0,2% / 10°C max 0,3% / 10°C

Long term stability 0,1% or 1 cm H₂O for 1 year

Hysteresis, repeatability 0,05%

Thermal compensation range 0 ÷ 40°C – standard
-10 ÷ 70°C – special version

Medium temperature range -25 ÷ 40°C – standard
0 ÷ 75°C – ETFE and PTFE version

CAUTION: The medium must not be allowed to freeze in the immediate vicinity of the probe

Technical data for the SGE-16 level probe

Measurement ranges 10 ÷ 100 m H₂O

Overpressure limit 10 × range
(repeatable – without hysteresis)

Accuracy 0,3%

Hysteresis, repeatability 0,05%

Thermal compensation range 0 ÷ 40°C

Process temperature limit 0 ÷ 40°C
(version with ETFE and PTFE cable) 0 ÷ 75°C

Electrical parameters (applicable to both probes)

Output signal, power supply:

no	Signal type	Power supply	Available in models
1	4 ÷ 20mA	8...36 VDC 10,5...36 VDC (TR version)	SGE-25/...
2	4 ÷ 20mA	9...28 VDC 10,5...28 VDC (TR version)	SGE-25/Exia/...
3	0 ÷ 10V	13...30 VDC	SGE-25/....
4	0 ÷ 3,3V	4,1...14,1 VDC	SGE-25/....
5	0 ÷ 5V 0,5 ÷ 4,5 V	8...14,1 VDC	SGE-25/....
6	4 ÷ 20mA	8...36 VDC	SGE-16/....
7	0 ÷ 3,3 V	3,6...4,5 VDC	SGE-16/....

Load resistance (for current output) $R[\Omega] \leq \frac{U_{sup}[V] - 8V}{0,02A}$

Load resistance (for supply output) $R \geq 20k\Omega$

Error due to supply voltage changes 0,005% / V

Degree of protection IP68

Material of casing SS316L

Cable shield PU, ETFE, PTFE

Material of diaphragm

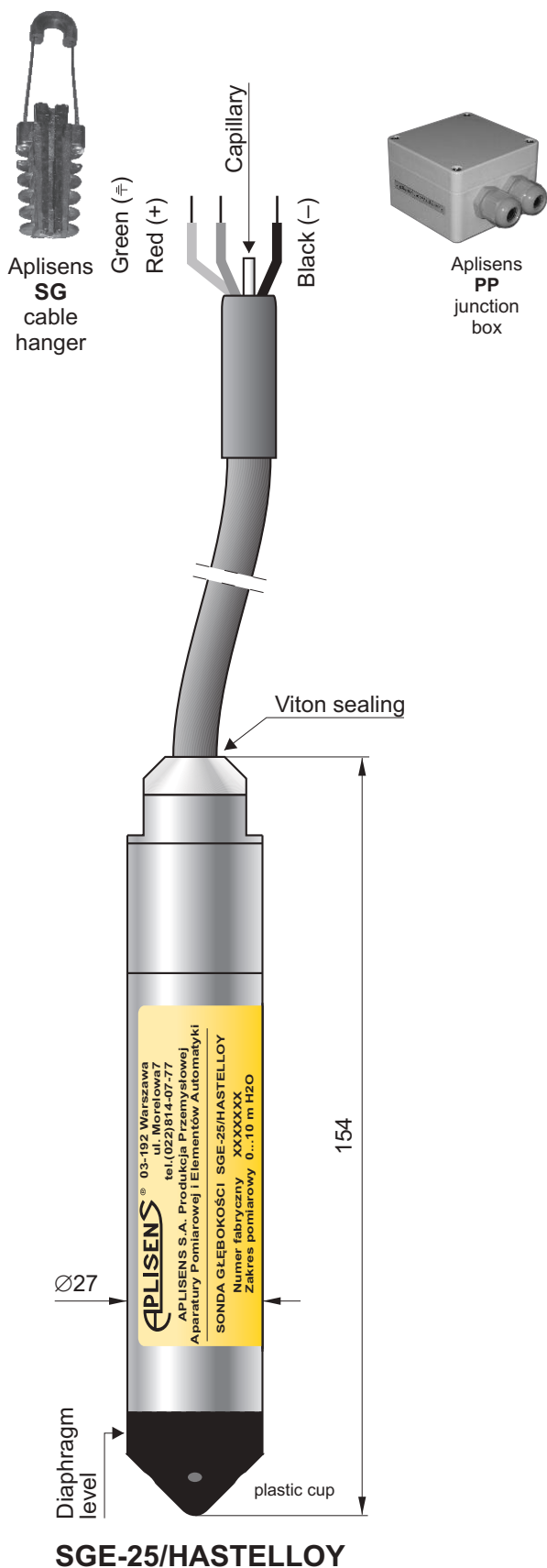
SGE-25 Hastelloy C276 (optionally SS316L)

SGE-16 SS316L

Ordering procedure

Model	Code	Description
SGE-25 SGE-16		Level probe
Versions, certificates	/Exia *..... /MR *..... /-10÷70° *..... /Pt100..... /TR *..... /316L.....	II 1G Ex ia IIC T4/T5/T6 Ga II 1G Ex ia IIB T4/T5/T6 Ga (for probe with cable in PTFE shield) I M1 Ex ia I Ma Marine certification (DNV), only with ETFE cable Extended thermal compensation range Probe with Pt100 sensor (only with PU cable) Response time <30ms (only for 4...20mA output) Membrane material: 316L
Measuring set range	/...+... [required units]	Calibrated range in relation to 4mA and 20mA (or 0V and 10V) output
Output signal	/4...20mA..... /0...10V..... /0...3,3V..... /0...5V..... /0,5...4,5V.....	4...20mA / power supply SGE-25: 8...36VDC (Exia 9...28VDC, TR 10,5...36VDC) SGE-16: 10,5...36VDC 0...10V / power supply 13...30VDC 0...3,3V / power supply SGE-25: 4,1...14,1VDC, SGE-16: 3,6...4,5VDC 0...5V / power supply 18...14,1VDC 0,5...4,5V / power supply 18...14,1VDC
Type of cable	/PU..... /PU PZH..... /ETFE..... /ETFE-R..... /PU + PTFE..... /ETFE + PTFE...	Polyurethane cable (medium temp. up to 40°C) Polyurethane, halogen free cable with hygienic certification (medium temp. up to 40°C) ETFE cable (not suitable for mineral oil products, medium temp. up to 75°C) ETFE cable with Viton/silicon sealing (suitable for mineral oil products, medium temp. up to 40°C) Polyurethane cable with PTFE shielding (medium temp. up to 75°C) ETFE cable with PTFE shielding (medium temp. up to 75°C)
Cable length	/L=...m.....	Cable length (standard: 5m, 10m, 12m, 15m, 20m, a multiple of 5m, other length on request)
Accessories	/SG /PP	Cable hanger Junction box

Hydrostatic level probe SGE-25/HASTELLOY



- ✓ All wetted parts made in Hastelloy
- ✓ Any measurement range from 2 up to 20 m H₂O
- ✓ Integrated internal overvoltage protection circuit
- ✓ Marine certificate

Application

The SGE-25/HASTELLOY hydrostatic level probe is applicable to measure liquid levels in tanks where probe made in stainless steel can't be used – e.g. in seawater or chemical applications.

Principles of operation, construction

The probe measures liquid levels, basing on a simple relationship between the height of the liquid column and the resulting hydrostatic pressure. The pressure measurement is carried out on the level of the separating diaphragm of the immersed probe and is related to atmospheric pressure through a capillary in the cable.

The active sensing element is a piezoresistant silicon sensor separated from the medium by an isolating diaphragm. The electronic amplifier, which works in combination with the sensor, and is meant to standardize the signal, is additionally equipped with an overvoltage protection circuit, which protects the probe from damage caused by induced interference from atmospheric discharges or from associated heavy current engineering appliances.

Installation, method of use

When lowered to the reference level, the probe may either hang freely on the cable or lie on the bottom of the tank. The cable with the capillary can be extended using a standard signal cable. For the cable connection a special Aplsens **SG** cable hanger is recommended. The cable connection should be situated in a non-hermetically sealed box (the internal pressure inside the box should be equal to the atmospheric pressure), preventing water or other contaminants from getting into the capillary. The Aplsens **PP** junction box is recommended. For systems with long signal transmission lines, it is recommended the using of an additional Aplsens UZ-2 overvoltage protection circuit in the form of a wall-mounted box which allows the cables connection. When the probe cable is being wound up, the minimum winding diameter should be 30cm and the cable should be protected from mechanical damage.

If there is a possibility of turbulence in the tank (for example, because of the mixer operating mixers or a turbulent inflow), the probe should be installed inside a screening tube (e.g. made of PVC). If the probe is to be lowered deeper than 100m, the cable should be hanged at steel lifting rope. Cleaning the probe diaphragm by mechanical means is strictly prohibited.

Technical data for the SGE-25/Hastelloy level probe

Measuring range

Any measuring range 2 ÷ 20 m H₂O (the standard ranges: 2, 4, 10, 20 m H₂O are recommended)

	Measuring Range	
	2...4 m H ₂ O	10..20 m H ₂ O
Overpressure Limit (repeatable – without hysteresis)	10 × range	10 × range
Accuracy % FSO	0,2%	0,2%
Thermal error	Typical 0,3% / 10°C max 0,4% / 10°C	Typical 0,2% / 10°C max 0,3% / 10°C

Long term stability 0,1% or 1 cm H₂O for 1 year

Hysteresis, repeatability 0,05%

Thermal compensation range 0 ÷ 40°C – standard

Medium temperature range -25 ÷ 40°C

CAUTION: The medium must not be allowed to freeze in the immediate vicinity of the probe

Electrical parameters

Output signal, power supply:

Signal type: 4 ÷ 20mA

Power supply: 8...36 VDC

$$\text{Load resistance (for current output)} \quad R[\Omega] \leq \frac{U_{\text{sup}}[\text{V}] - 8\text{V}}{0,02\text{A}}$$

Error due to supply voltage changes 0,005% / V

Degree of protection IP68

Material of casing Hastelloy

Cable shield ETFE

Material of diaphragm Hastelloy

Ordering procedure

Model	Code	Description
SGE-25/Hastelloy		Level probe
Versions, certificates	/Exia..... /MR.....	II 1G Ex ia IIC T4/T5/T6 Ga/Gb I M1 Ex ia I Ma Marine certification (DNV)
Measuring set range	/...+... [required units]	Calibrated range in relation to 4mA and 20mA
Output signal	/4...20mA.....	4...20mA / power supply: 8...36VDC
Type of cable	/ETFE.....	ETFE cable with Viton sealing (medium temp. up to 40°C)
Cable length	/L=...m.....	Cable length (standard: 5m, 10m, 12m, 15m, 20m, a multiple of 5m, other length on request)
Accessories	/SG /PP	Cable hanger Junction box

Hydrostatic level probes SGE-25S and SGE-25C for measurement of waste liquid levels

- ✓ Any measurement range from 2 up to 20 m H₂O
- ✓ Integrated internal overvoltage protection circuit
- ✓ ATEX Intrinsic safety
- ✓ Marine certificate DNV

Application

The SGE-25S and SGE-25C probes are applicable to measure levels of liquids containing contaminants or suspensions. A typical use for this probe is the measurement of levels of liquid waste in intermediate pumping stations, fermentation chambers, settling tanks etc.

Principles of operation, design

The probe measures liquid levels, basing on a simple relationship between the height of the liquid column and the resulting hydrostatic pressure. The pressure measurement is carried out on the level of the separating diaphragm of the immersed probe and is related to atmospheric pressure through a capillary in the cable.

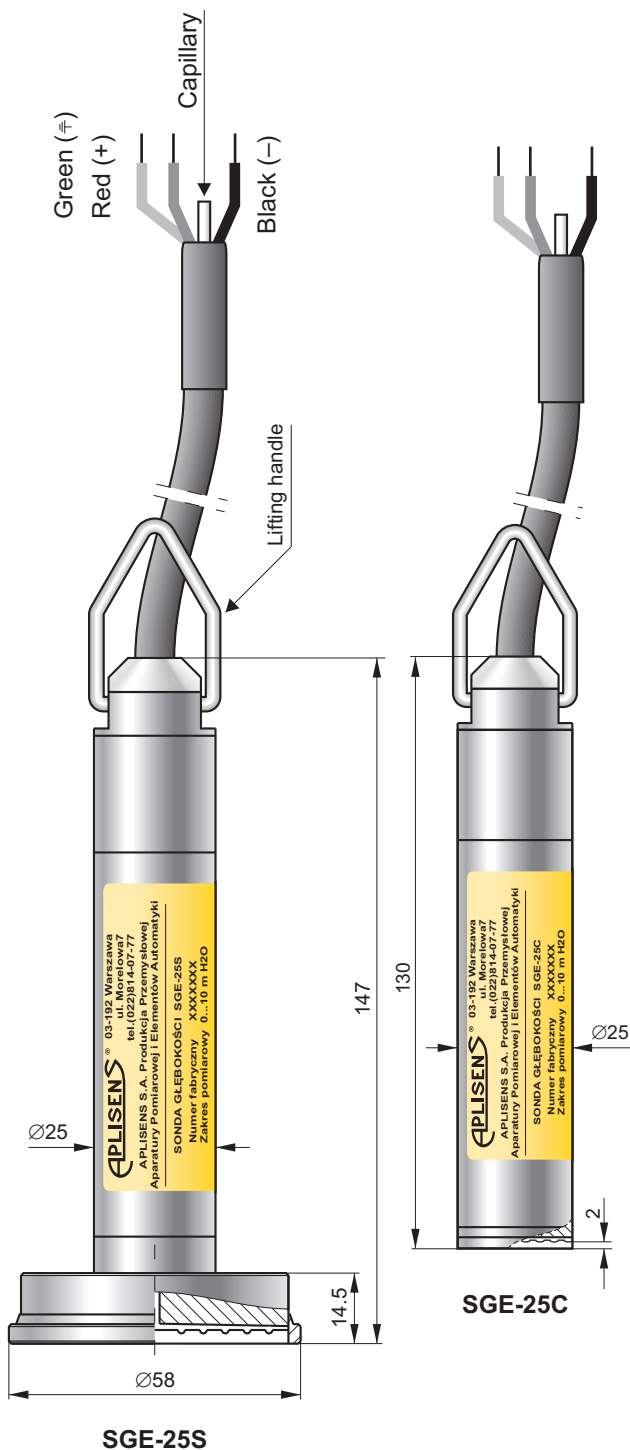
The use of a special separator with a large uncovered diaphragm minimizes the metrological effect of sediment deposit on the diaphragm surface. This enables the probe long lifetime and proper work in contaminated media (even in the presence of abrasives, such as sand) and facilitates cleaning with delicate stream of running water (washing with water under pressure may damage the probe).

The active sensing element is a piezoresistant silicon sensor separated from the medium by an isolating diaphragm. The electronic amplifier, which works in combination with the sensor, and is meant to standardize the signal, is additionally equipped with an overvoltage protection circuit, which protects the probe from damage caused by induced interference from atmospheric discharges or from associated heavy current engineering appliances.

Installation, method of use

When lowered to the reference level, the probe may either hang freely on the cable or lie on the bottom of the tank. The cable with the capillary can be extended using a standard signal cable. For the cable connection a special Aplisens **SG** cable hanger is recommended. The cable connection should be situated in a non-hermetically sealed box (the internal pressure inside the box should be equal to the atmospheric pressure), preventing water or other contaminants from getting into the capillary. The Aplisens **PP** junction box is recommended. For systems with long signal transmission lines, it is recommended the using of an additional Aplisens **UZ-2** overvoltage protection circuit in the form of a wall-mounted box which allows the cables connection. When the probe cable is being wound up, the minimum winding diameter should be 30cm and the cable should be protected from mechanical damage.

If there is a possibility of turbulence in the tank (for example, because of the mixer operating mixers or a turbulent inflow), the probe should be installed inside a screening tube (e.g. made of PVC). The line hooked on the lifting handle can simplify the operation of the probe pulling out. Cleaning the probe diaphragm by mechanical means is strictly prohibited.



Technical data

Any measurement range 2 ÷ 20 m H₂O (we recommend the standard ranges: 2,5, 4, 6, 10 m H₂O)

	Measuring Range		
	2,5 m H ₂ O	4 m H ₂ O	0...10 m H ₂ O ÷ 20 m H ₂ O
Overpressure Limit (repeatable – without hysteresis)	20 × range	20 × range	10 × range
Accuracy % FSO acc. to IEC 60770	1%	1%	0,5%
Accuracy % FSO acc. to BFSL	0,75%	0.5%	0,25%
Thermal error of zero	Typical 0,4% / 10°C max 0,6% / 10°C		Typical 0,2% / 10°C max 0,3% / 10°C
Thermal error of span	Typical 0,3% / 10°C max 0,4% / 10°C		Typical 0,2% / 10°C max 0,3% / 10°C

Hysteresis, repeatability	0,05%
Thermal compensation range	0 ÷ 40°C – standard -10 ÷ 70°C – special version
Medium temperature range	-25 ÷ 40°C - standard 0 ÷ 75°C – ETFE and PTFE version

CAUTION: The medium must not be allowed to freeze in the immediate vicinity of the probe

Electrical parameters

Output signal 4 ÷ 20 mA, two wire transmission
Special version: 0 ÷ 10 V three wire transmission (not applicable to Ex)

Load resistance (for current output) $R [\Omega] \leq \frac{U_{sup} [V] - 8V}{0,02 A}$

Load resistance (for supply output) $R \geq 20k\Omega$

Power supply 8 ÷ 36 VDC (Ex: 9...28 VDC)
TR version: 10,5+ 36 VDC (Ex: 10,5...28 VDC)
13 ÷ 30 VDC (for 0 ÷ 10 V output)

Error due to supply voltage changes variation 0,005% / V

Degree of protection IP-68

Material of casing and diaphragm

SG-25S (casing SS316L, diaphragm SS316L /option Hastelloy C/)

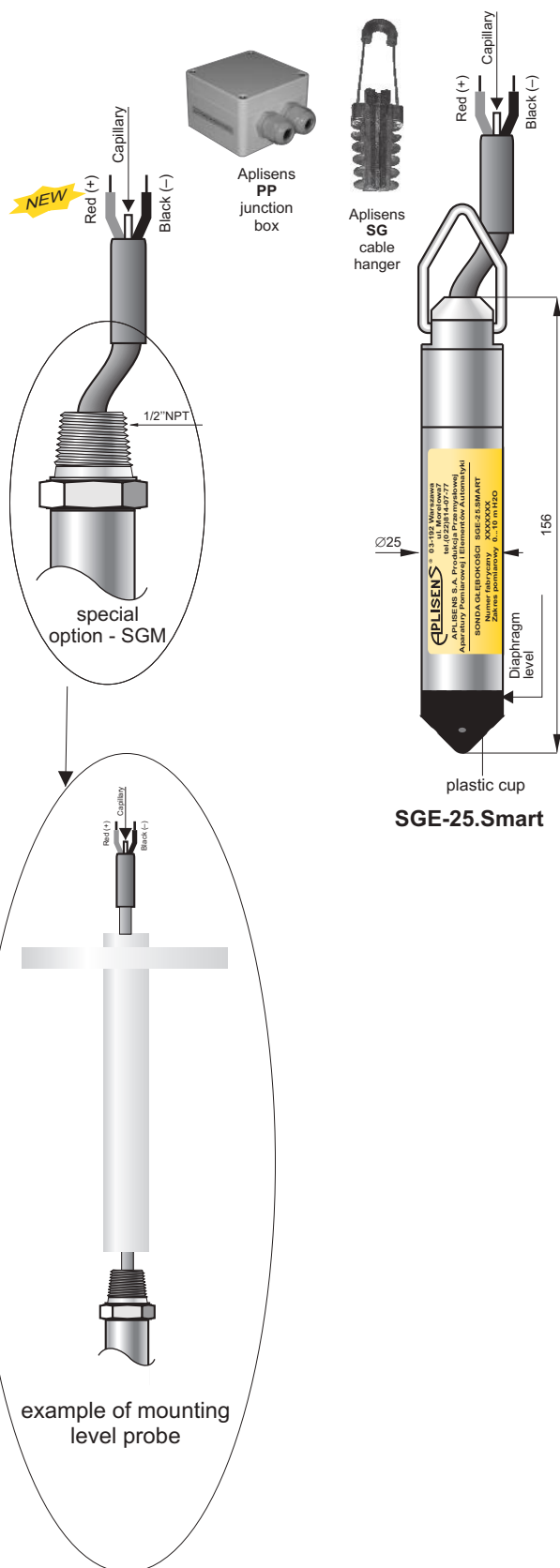
SG-25C (casing SS316L, diaphragm SS316L)

Cable shielding PU, ETFE, PTFE

Ordering procedure

Model	Code	Description
SGE-25C SGE-25S		Level probe
Versions, certificates	/Exia..... /MR..... /-10+70°..... /TR.....	II 1G Ex ia IIC T4/T5/T6 Ga II 1G Ex ia IIB T4/T5/T6 Ga (for probe with cable in PTFE shield) I M1 Ex ia I Ma Marine certification (DNV), only with ETFE cable Extended thermal compensation range Response time <30ms (only for 4...20mA output)
Measuring set range	/...+... [required units]	Calibrated range in relation to 4mA and 20mA (or 0V and 10V) output
Output signal	/4...20mA..... /0...10V.....	4...20mA / power supply: 8...36VDC (Exia 9...28VDC, TR 10,5...36VDC) 0...10V / power supply 13...30VDC
Type of cable	/PU..... /ETFE..... /PU + PTFE..... /ETFE + PTFE.....	Polyurethane cable (medium temp. up to 40°C) ETFE cable (medium temp. up to 75°C) Polyurethane cable with PTFE shielding (medium temp. up to 75°C) ETFE cable with PTFE shielding (medium temp. up to 75°C)
Cable length	/L=...m.....	Cable length (standard: 5m, 10m, 12m, 15m, 20m, a multiple of 5m, other length on request)
Accessories	/SG..... /PP.....	Cable hanger Junction box

Smart level probe SGE-25.Smart



- ✓ Programmable zero shift, range and damping ratio
- ✓ 4...20 mA output signal + HART protocol
- ✓ Accuracy 0.1%
- ✓ Integrated internal overvoltage protection circuit
- ✓ ATEX Intrinsic safety
- ✓ Marine certificate DNV

Application

The SGE-25.Smart level probe is applicable to measure liquid levels in tanks, deep wells or piezometers.

Principles of operation, construction

The probe measures liquid levels, basing on a simple relationship between the height of the liquid column and the resulting hydrostatic pressure. The pressure measurement is carried out on the level of the separating diaphragm of the immersed probe and is related to atmospheric pressure through a capillary in the cable.

The active sensing element is a piezoresistant silicon sensor separated from the medium by an isolating diaphragm. The electronic amplifier, which works in combination with the sensor, is additionally equipped with an overvoltage protection circuit, which protects the probe from damage caused by induced interference from atmospheric discharges or from associated heavy current engineering appliances.

Configuration

The following metrological parameters can be configured:

- ◆ the units of pressure;
- ◆ start and end-points of set range;
- ◆ damping time constant;
- ◆ inverted characteristic (output signal $20 \div 4$ mA).

Calibration

It is possible to calibrate the probe in relation to a model pressure.

Communication

The communication standard for data interchange with the probe is the Hart protocol.

Communication with the probe is carried out with:

- a KAP-03 communicator,
- some other Hart type communicators,
- a PC using an HART/USB converter and RAPORT 2 configuration software.

The data interchange with the probe also enables the users to:

- ◆ identify the probe;
- ◆ read the currently measured hydrostatic pressure value, output current and percentage of measuring range.

Installation, method of use

When lowered to the reference level, the probe may either hang freely on the cable or lie on the bottom of the tank. The cable with the capillary can be extended using a standard signal cable. For the cable connection a special Aplisens **SG** cable hanger is recommended. The cable connection should be situated in a non-hermetically sealed box (the internal pressure inside the box should be equal to the atmospheric pressure), preventing water or other contaminants from getting into the capillary. The Aplisens **PP** junction box is recommended. For systems with long signal transmission lines, it is recommended the using of an addi-

tional Aplisens UZ-2 overvoltage protection circuit in the form of a wall-mounted box which allows the cables connection. When the probe cable is being wound up, the minimum winding diameter should be 30cm and the cable should be protected from mechanical damage.

If there is a possibility of turbulence in the tank (for example, because of the mixer operating mixers or a turbulent inflow), the probe should be installed inside a screening tube (e.g. made of PVC). The line hooked on the lifting handle can simplify the operation of the probe pulling out. Cleaning the probe diaphragm by mechanical means is strictly prohibited.

Measuring ranges

No.	Nominal measuring range (FSO)	Minimum set range	Overpressure limit (without hysteresis)
1	0...1,5 m H ₂ O	0,15 m H ₂ O	15 m H ₂ O
2	0...10 m H ₂ O	0,8 m H ₂ O	100 m H ₂ O
3	0...100 m H ₂ O	8 m H ₂ O	700 m H ₂ O

Technical data

Metrological parameters

Accuracy	≤ ±0,1% for nominal range
SGE-25.Smart	≤ ±0,3% for range 0...10% FSO
Long term stability	≤ 0,1% (FSO) for 2 years
Thermal error	< ±0,08% (FSO) / 10°C max ±0,2% in the whole compensation temp. range
Thermal compensation range	-25...80°C
Response time	16...230ms (programmable)
Additional electronic damping	0...30s
Error due to supply voltage changes	0,002% (FSO) / V

Electrical parameters

Power supply	7,5...55 VDC (Ex 7,5...28 VDC)
Output signal	4...20 mA (two wire transmission)
Load resistance	$R[\Omega] \leq \frac{U_{sup}[V] - 7,5V}{0,0225A}$
Resistance required for communication	>240 Ω

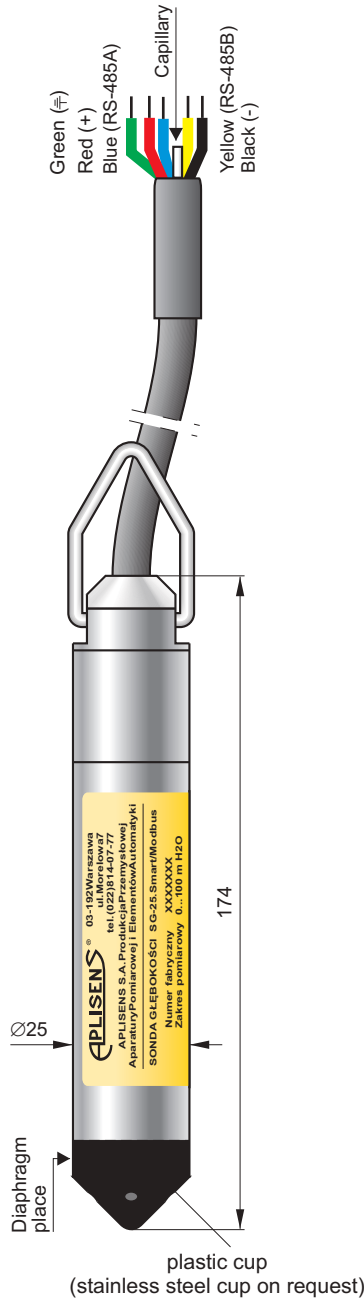
Operating conditions

Medium temperature range	-30...40°C
	ETFE or PTFE version: 0...80°C
CAUTION: The medium must not be allowed to freeze in the immediate vicinity of the probe.	
Degree of protection	IP68
Material of casing	SS316L
Material of diaphragm	Hastelloy C276 (optionally: SS316L)
Cable shield	PU, ETFE, PTFE

Ordering procedure

Model	Code	Description								
SGE-25.Smart		Smart level probe								
Versions, certificates	/Exia.....	II 1G Ex ia IIC T4/T5/T6 Ga I M1 Ex ia I Ma II 1G Ex ia IIB T4/T5/T6 I M1 Ex ia I Ma								
	/SGM.....	Version with thread on packing gland								
	/MR.....	Marine certificate (DNV), only with ETFE cable								
	/316L.....	Membrane material: 316L								
Nominal measuring range	/0...1,5 m H ₂ O.....	<table border="1"> <thead> <tr> <th>Range</th> <th>Min. set range</th> </tr> </thead> <tbody> <tr> <td>0...1,5 m H₂O</td> <td>0,15 m H₂O</td> </tr> <tr> <td>0...10 m H₂O</td> <td>0,8 m H₂O</td> </tr> <tr> <td>0...100 m H₂O</td> <td>8 m H₂O</td> </tr> </tbody> </table>	Range	Min. set range	0...1,5 m H ₂ O	0,15 m H ₂ O	0...10 m H ₂ O	0,8 m H ₂ O	0...100 m H ₂ O	8 m H ₂ O
	Range	Min. set range								
	0...1,5 m H ₂ O	0,15 m H ₂ O								
0...10 m H ₂ O	0,8 m H ₂ O									
0...100 m H ₂ O	8 m H ₂ O									
/0...10 m H ₂ O.....										
/0...100 m H ₂ O.....										
Measuring set range	/...+... [required units]	Calibrated range in relation to 4mA and 20mA output								
Cable	/PU.....	Polyurethane cable (medium temp. up to 40°C)								
	/PU PZH.....	Polyurethane, halogen free cable with hygienic certification (medium temp. up to 40°C)								
	/ETFE.....	ETFE cable (not suitable for mineral oil products, medium temp. up to 80°C)								
	/ETFE-R.....	ETFE cable with Viton/silicon sealing (suitable for mineral oil products, medium temp. up to 40°C)								
	/PU + PTFE.....	Polyurethane cable with PTFE shielding (medium temp. up to 80°C)								
	/ETFE + PTFE.....	ETFE cable with PTFE shielding (medium temp. up to 80°C)								
	L=...m	Cable length (standard: 5m, 10m, 12m, 15m, 20m, a multiple of 5m, other length on request)								
Accessories	/SG.....	Cable hanger								
	/PP.....	Junction box								

Smart hydrostatic level probe type SGE-25.Smart/Modbus



SGE-25.Smart/Modbus

Communication

Level probes with communication protocol Modbus RTU. The communication standard for data interchange with the transmitter is the Modbus RTU. Communication with the transmitter is carried out with PC using RS converter and Aplisens software.

Technical data*

Metrological parameters

Accuracy	≤ ±0,1%
Long-term stability (for nominal range)	≤ accuracy for 3 years
Thermal error	< ±0,1% (FSO) / 10°C max ±0,4% (FSO) in the whole compensation range
Thermal compensation range.	-25...80°C (other range on request)
Additional electronic damping	0...30 s

Electrical parameters

Power supply	4,5...28 V DC
Transmission range	1200 m
Output	MODBUS RTU + 4...20 mA
Address space	1...247 devices address
Transmission speed	600...115200 bps
Parity transmission	no parity, odd, even
frame transmission	10...11 bit (1, 2 bit-stop)

*more information about technical data available in user's manual

Special version

◇ **Teflon** – teflon cable shielding

Ordering procedure

SGE-25.Smart/Modbus / ___ / ___ / L = ... m

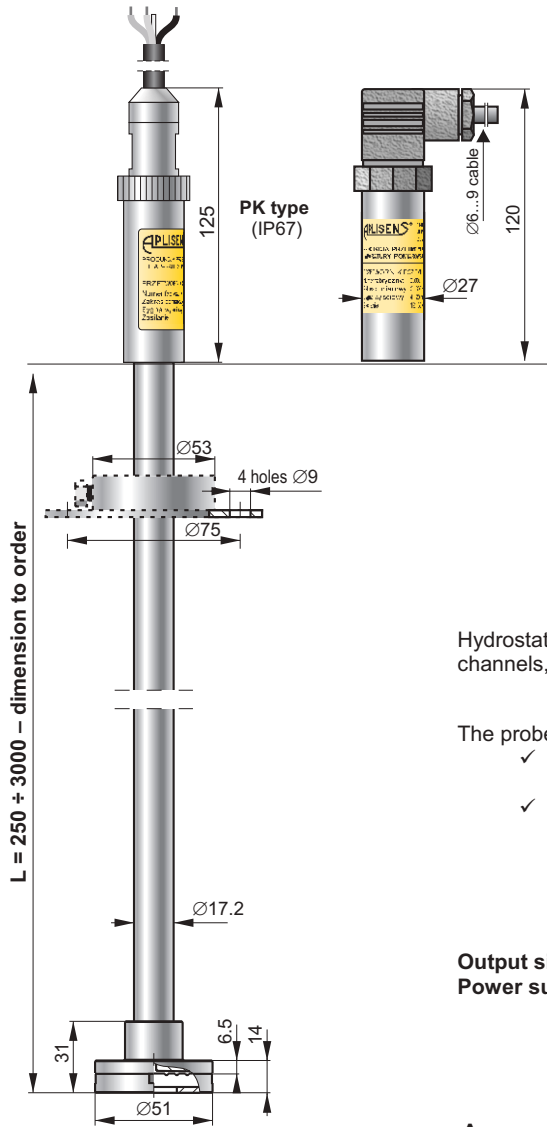
Spec. Version.: Teflon, Hastelloy

Set range

Cable length
(standard: 5m, 10m, 12m, 15m, 20m,
a multiple of 5m, other lengths on request)

Example: level probe SGE-25.Smart/Modbus, teflon cable shielding, set range 0 ÷ 10 m H₂O, cable length 10 m
SGE-25.Smart / Modbus / Teflon / 0 ÷ 10 m H₂O / L = 10 m

Hydrostatic level probe type PCE-28P



PK type
(IP67)

PD type
(IP65)

✓ Any measuring range from 0...200 to 0...3000 mm H₂O

✓ ATEX Intrinsic safety

II 1/2G Ex ia IIC T4/T5/T6 Ga/Gb
II 1D Ex ia IIC T110°C Da
I M1 Ex ia I Ma

IECEX Ex ia IIC T4/T5/T6 Ga/Gb
Ex ia IIC T110°C Da
Ex ia I Ma

✓ Marine certificate - DNV, BV

Application

Hydrostatic level probes are applicable to measure levels of liquids in open tanks, channels, measuring constrictions of open channels, streams etc.

Installation

The probe may be installed in any manner subject to the following conditions:

- ✓ the expected maximum level of liquid may not cause flooding of the electronic circuits;
- ✓ if a flange fastener is to be used to install the probe in the tank cover, it should be ordered alongside with the probe, as these fasteners are to be mounted during the probe manufacturing.

Electrical parameters*

Output signal 4 ÷ 20 mA
Power supply 8 ÷ 36 VDC
(Ex 9...28 VDC)

Technical data*

Any measuring range from 0...200 to 0...3000 mm H₂O

Accuracy max. +/- 0,25%
Medium temperature range -25 ÷ 80°C
Material of the wetted parts SS316L
Material of casing SS304

* more information about technical data and electrical parameters available in user's manual.

Ordering procedure

PCE-28P / _ / _ ÷ _ / _ / L = ... m

Special version:

- Exia - ATEX Intrinsic safety
- MR - Marine certificate

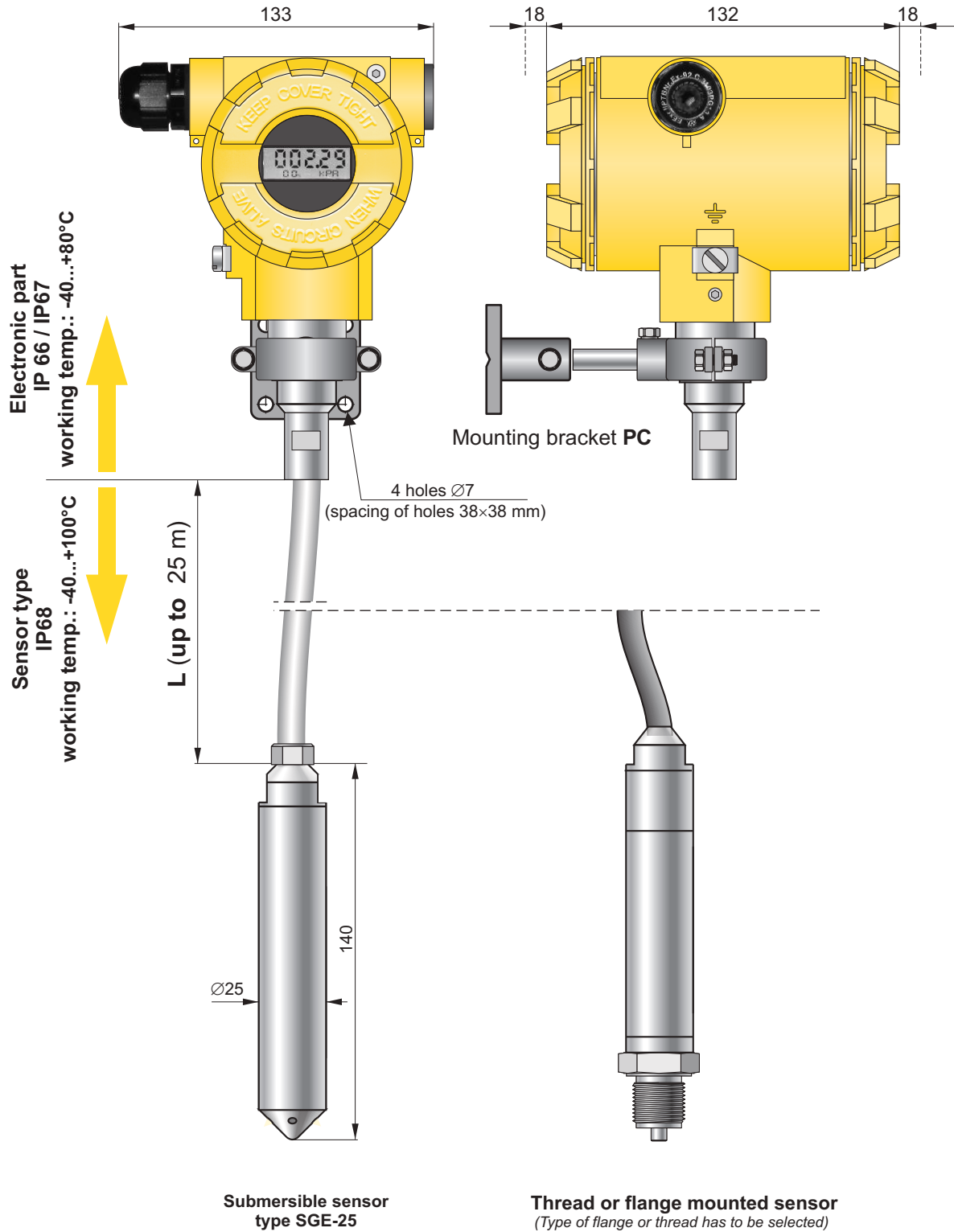
Start and end of measuring range, in relation to 4 mA and 20mA output

Type of electrical connection: PD, PK

Tube length

Smart level transmitter type APC-2000ALW/L

- ✓ Programmable zero shift, range and damping ratio
- ✓ 4...20 mA output signal + HART protocol
- ✓ Accuracy 0,16%
- ✓ Local display
- ✓ Intrinsic safety certificate (ATEX, IECEx)



APC-2000ALW/L function:

- ☑ 4...20 mA output signal + HART protocol,
- ☑ Possibilities of the adjusting both zero point and of the start and end of the measuring range, characteristic etc. with the display panel keys,

Configurable display 5 digits with illumination (working temperature range -40...+85°C)

Measuring range

No	Nominal range (FSO)	Min. set range	Overpressure limit
1	0...20 m H ₂ O	2 m H ₂ O	0...200 m H ₂ O
2	0...10 m H ₂ O	1 m H ₂ O	0...100 m H ₂ O
3	0...2,5 m H ₂ O	0,5 m H ₂ O	0...25 m H ₂ O

*other measuring ranges on request

Application

The APC-2000ALW/L level probe is applicable to measure liquid levels in tanks, deep wells or piezometers.

The APC-2000ALW/L probe is applicable to measure levels of liquids containing contaminants or suspensions. A typical use for this probe is the measurement of levels of liquid waste in intermediate pumping stations, fermentation chambers, settling tanks etc. Because in submersible part of level probe is mounted only measuring sensor level probe can be use for measurement hot liquids max. 100°C.

Configuration

The following metrological parameters can be configured:

- ◆ The units of pressure;
- ◆ Start and end-points of set range;
- ◆ damping time constant;
- ◆ inverted characteristic (output signal 20 ÷ 4 mA).

Communication

The communication standard for data interchange with the probe is the Hart protocol.

Communication with the probe is carried out with:

- KAP-03 communicator
- Raport 2 software or other Hart communication devices.

Technical data*

Metrological parameters

Accuracy	≤±0,16%
Long-term stability	≤0,16% for 2 years
Thermal error	< ±0,1% (FSO) / 10°C max. ±0,4% (FSO) in the whole compensation range
Thermal compensation range	-25...100°C -40...80°C special version
Output actualization time	0,5 s
Additional electronic damping	0...60 s
Error due to supply voltage changes	0,002% (FSO) / V

* more information about technical data available in user's manual.

Electrical parameters

Power supply	10...55 VDC (Exia: 10,5...30 VDC)
Output signal	4...20 mA 2-wires + Hart protocol
Resistance required for communication	min. 240 Ω

Load resistance

Operating conditions

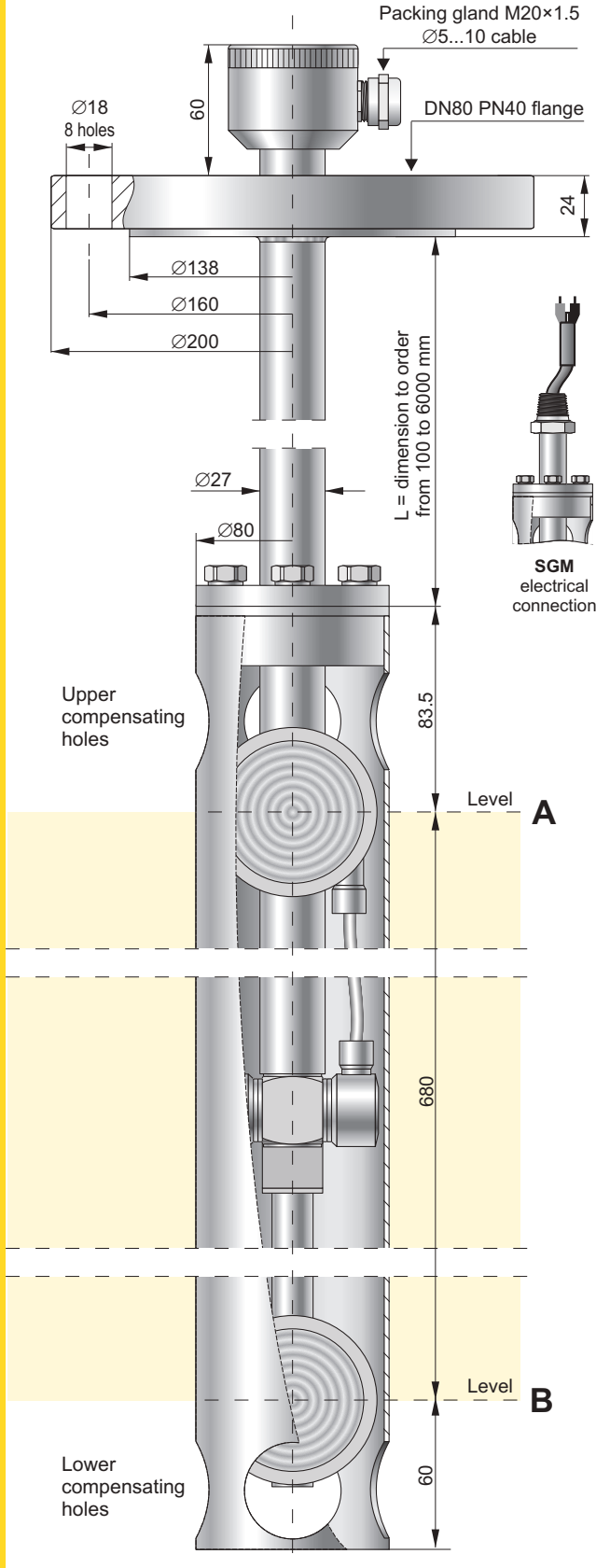
Operating temperature range (ambient temp.)	-40...85°C
Medium temperature range:	PU, ETEFE-R version: 0...40°C ETFE, PU+PTFE version: 0...80°C ETFE+PTFE version: 0...100°C

$$R[\Omega] = \frac{U_{ZAS}[V] - 10V}{0,0225A}$$

Ordering procedure

Model	Code	Description								
APC-2000ALW/L		Smart level probe								
Sensor type	/SGE-25.....									
	/SGE-25S.....									
	/SGE-25S.Titanium.....									
Versions, certificates	/Exia.....	II 1/2G Ex ia IIB T4/T5 Ga/Gb II 1D Ex ia IIIC T105°C Da Ex ia IIC T4/T5 Ga/Gb Ex ia IIIC T105 C Da Compensation range -40...80°C								
	/-40...80°C.....									
Nominal measuring range	/0...2,5 m H ₂ O.....	<table border="1"> <thead> <tr> <th>Range</th> <th>Min. set range</th> </tr> </thead> <tbody> <tr> <td>0...2,5 m H₂O</td> <td>0,5 m H₂O</td> </tr> <tr> <td>0...10 m H₂O</td> <td>1 m H₂O</td> </tr> <tr> <td>0...20 m H₂O</td> <td>2 m H₂O</td> </tr> </tbody> </table>	Range	Min. set range	0...2,5 m H ₂ O	0,5 m H ₂ O	0...10 m H ₂ O	1 m H ₂ O	0...20 m H ₂ O	2 m H ₂ O
	Range	Min. set range								
	0...2,5 m H ₂ O	0,5 m H ₂ O								
0...10 m H ₂ O	1 m H ₂ O									
0...20 m H ₂ O	2 m H ₂ O									
/0...10 m H ₂ O.....										
/0...20 m H ₂ O.....										
Measuring set range	/...+... [required units]	Calibrated range in relation to 4mA and 20mA output								
Cable	/PU.....	Polyurethane cable (medium temp. up to 40°C)								
	/PU PZH.....	Polyurethane, halogen free cable with hygienic certification (medium temp. up to 40°C)								
	/ETFE.....	ETFE cable (not suitable for mineral oil products, medium temp. up to 80°C)								
	/ETFE-R.....	ETFE cable with Viton/silicon sealing (suitable for mineral oil products, medium temp. up to 40°C)								
	/PU + PTFE.....	Polyurethane cable with PTFE shielding (medium temp. up to 80°C)								
	/ETFE + PTFE.....	ETFE cable with PTFE shielding (medium temp. up to 100°C)								
Accessories	L=...m	Cable length (max. 25m)								
	/PC.....	Mounting bracket								
	/F.....	Flange type connection								

Smart hydrostatic density transmitter PG-28.Smart



- ✓ Density measuring range 0...1 g/cm³ or 0...2 g/cm³
- ✓ Accuracy 0,1%
- ✓ Output signal 4...20 mA + HART
- ✓ Static pressure limit 40 bar

Construction and operation

The hydrostatic density transmitter PG-28.Smart has been developed on the base of the smart differential pressure transmitter with two remote diaphragm seals. Fixed remote diaphragm seals along with the differential pressure transmitter have been mounted in a protecting tube, 80 mm in diameter. The assembly should operate in a vertical position, and the medium surface should be above the upper compensating holes of the tube.

The input signal for the density transmitter is the hydrostatic pressure generated by the medium layer between the levels assigned by the axes of diaphragm seals. In the picture those levels are marked with the letters **A** and **B**. Considering the constant thickness of the "**A-B**" layer, it can be assumed that the input signal for the density transmitter is the average density of the "**A-B**" layer.

The welded flange DN80 PN40 is provided to mount the density transmitter on a pressure tank. The location of the device working part at appropriate depth is possible with the Ø27 tube having the length "L", depending on a purchaser's order.

The density transmitter can be mounted on an atmospheric pressure tank with any fastener for the Ø27 tube, but the vertical position of assembly must be kept.

The typical application for the transmitter is to measure the density of the following media: petroleum products, liquid fuels, including LPG and other liquids, which are non-corrosive against 316 Lss acid resistant steel.

The electrical clamp box, degree of protection IP 65, adapted to weather conditions, is provided to connect the density transmitter.

An important advantage of the density transmitter design is the application of welded diaphragm seals as well as measuring element, which guarantees that the assembly stays hermetic for a long-time.

Configuration and calibration (example)

Measurement task: transform the change of density from 400 kg/m³ to 600 kg/m³ into the change of input current in the range from 4 mA to 20 mA.

Procedure:

Calibration with reference to water density at 20°C (998,20 kg/m³) and determination of transmitter characteristic

Pour distilled water having the temperature of 20°C to the vessel at least 85 cm in height. Immerse transmitter, connected to a power source, in water, remembering the vertical operating position. When the temperature equilibrium is reached (after about 20 min), accomplish the pressure zeroing of the probe (“Zero Trim” in Calibration menu).

Then, pull the density transmitter out of water and position it vertically. It is assumed that the probe is surrounded by the medium having density 1.16 kg/m³ (air density in normal conditions). After pressing the PV key, choose the command “current pressure reading” and record the measured value, e.g. P_{air} = -6.649 kPa. In this way, the two-point density transmitter characteristic has been performed.

For water: P_{water} = 0,000 kPa, ρ_{water} = 998,20 kg/m³
 For air: P_{air} = -6,649 kPa, ρ_{air} = 1,16 kg/m³

Determination of the pressure corresponding to the start point of the measuring range, ρ_{min} = 400 kg/m³:

$$\frac{P_{\text{water}} - P_{\text{air}}}{\rho_{\text{water}} - \rho_{\text{air}}} \times (\rho_{\text{min}} - \rho_{\text{water}}) = \frac{6.649}{997.04} \times (-598.2) = -3.989 \text{ kPa}$$

Determination of the pressure corresponding to the end point of the measuring range, ρ_{max} = 600 kg/m³

$$\frac{P_{\text{water}} - P_{\text{air}}}{\rho_{\text{water}} - \rho_{\text{air}}} \times (\rho_{\text{max}} - \rho_{\text{water}}) = \frac{6.649}{997.04} \times (-398.2) = -2.655 \text{ kPa}$$

The calculated values for hydrostatic pressure corresponding to both start and end points of the density measuring range are sent to the transmitter (Configuration → Reranging → Upper and Lower Range value → Keyboard).

After the above parameters have been entered, the transmitter carries out the measuring task.

Manufacturing calibration, operation guidelines

The user can order the density transmitter with manufacturing calibration in a required density range, specified in the order. Such a transmitter carries out assumed measurement just after electrical connection and installation at operation place.

Pressure zeroing of the transmitter in distilled water at 20°C is recommended after every 24 months of the transmitter operation.

Measuring range

No	Nominal measuring range (FSO)	Nominal range with reference to measured density	Minimum set range	Ability to shift the start of the range
1	-70...0 mbar	0...1000 kg/m ³	100 kg/m ³	0...900 kg/m ³
2	-70...70 mbar	0...2000 kg/m ³	200 kg/m ³	0...1800 kg/m ³

Technical data

Metrological parameters

Accuracy ≤ ±0,1% of the calibrated range
 ≤ ±0,3% for the range 0...10% FSO
Long term stability ≤ accuracy for 2 years
Thermal error < ±0,1% (FSO) / 10°C
 max. ±0,4% (FSO) in the whole compensation range
 < ±2% of minimal measuring range in the whole compensation range
Thermal compensation range -30...60°C
Time constant 1 s
Additional electronic damping 0...30 s
Error due to supply voltage changes 0,002% (FSO) / V

Electrical parameters

Power supply 10,5...36 VDC
Output signal 4...20 mA, two wire transmission
Load resistance R[Ω] ≤ $\frac{U_{\text{supl}}[\text{V}] - 10,5\text{V}}{0,0225\text{A}}$
Resistance required for communication min. 240 Ω

Operating conditions

Medium temperature range -40...80°C
 Note: The medium must not be allowed to freeze in the immediate vicinity of the transmitter

Material of casing and supporting structure 0H18N9 (SS304)
Material of diaphragm seals 00H17N14M2 (SS316L)

Ordering procedure

PG-28.Smart / / / L = ... mm

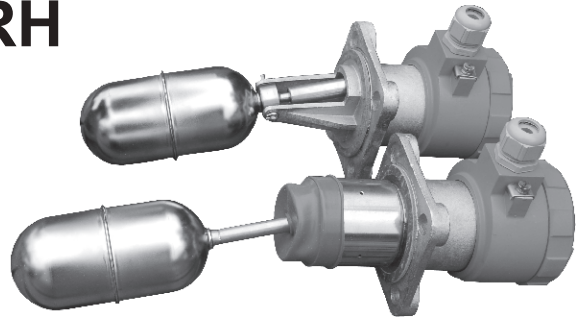
Nominal measuring range

Set density range

∅27 Tube length

Level switch type ERH

- ✓ Explosion proof version
- ✓ Wetted parts material 321SS
- ✓ Housing material: Aluminium or 321SS
- ✓ Housing protection IP66/68
- ✓ Nominal pressure 40bar
- ✓ Marine certificates (DNV-GL, LR, BV, PRS)

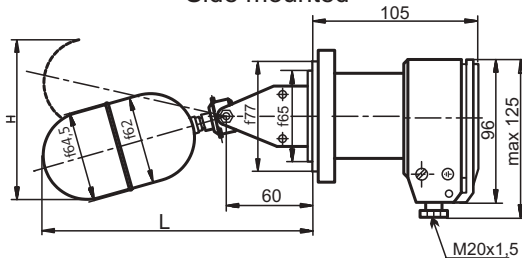


Application

Float level switches are used for point level detection of liquids in all type of vessels. Operation without external power, side or top mounting, wide temperature and pressure ranges, various process connections, stainless steel wetted parts, Ex version and marine certificates make it a universally applicable level switch. Level switches are available with floats in two sizes: Ø64.5 x 130mm or Ø52 x 162mm)

Type	IP	ATEX	DNV-GL	LR	BV	PRS	PZH
ERH-xx-04	IP66						
ERH-xx-06	IP66		•	•	•	•	•
ERH-xx-07	IP68		•	•	•	•	
ERH-xx-16	IP66	•	•	•	•	•	
ERH-xx-16.1	IP68	•	•	•			

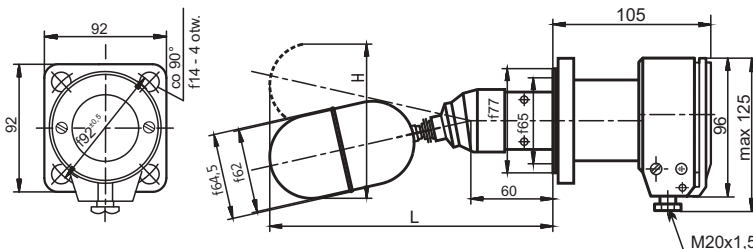
ERH-01-...
Side mounted



ERH-01-04, ERH-01-06, ERH-01-07
ERH-02-04, ERH-02-06, ERH-02-07

Symbol	H [mm]	L [mm]	Hysteresis [mm]
- 1	120	190	10
- 2	140	230	20
- 3	150	255	30

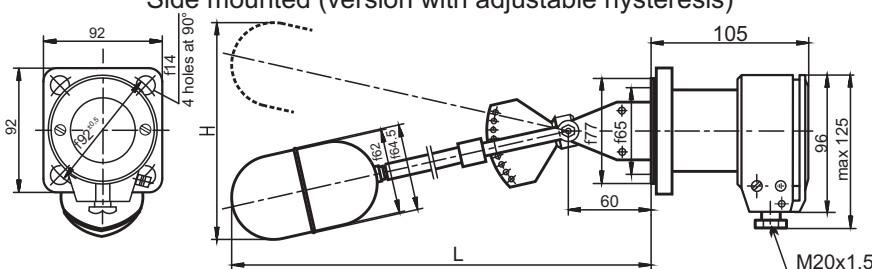
ERH-02-...
Side mounted (version with protection sleeve)



ERH-01-16, ERH-01-16.1
ERH-02-16, ERH-02-16.1

Symbol	H [mm]	L [mm]	Hysteresis [mm]
- 1	140	230	10
- 2	180	305	20
- 3	240	405	30

ERH-03-...
Side mounted (version with adjustable hysteresis)



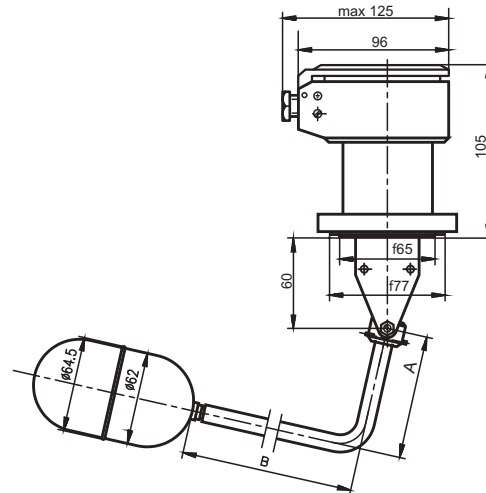
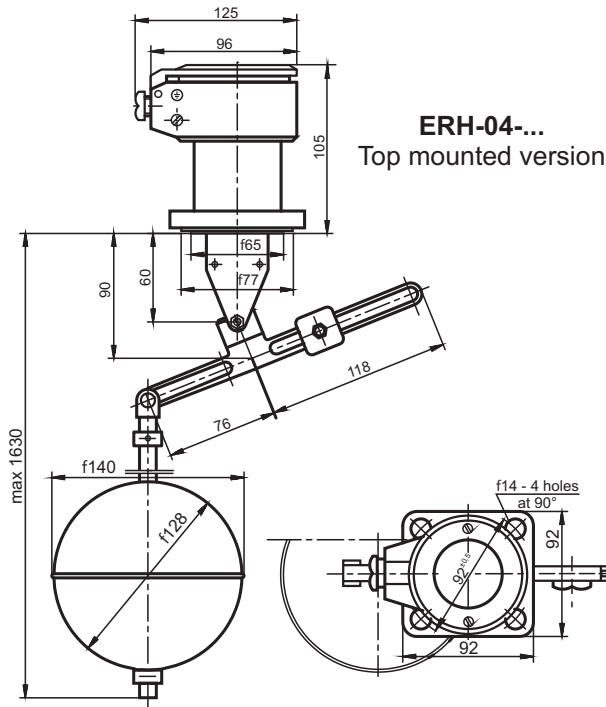
ERH-03-04, ERH-03-06, ERH-03-07

Symbol	H [mm]	L [mm]	Hysteresis [mm]
- 1	680	510	100...400
- 2	450	380	50...250

ERH-03-16, ERH-03-16.1

H [mm]	L [mm]	Hysteresis [mm]
680	510	50...400

ERH-01-...-4-... / ERH-02-...-4-...
Top mounted version



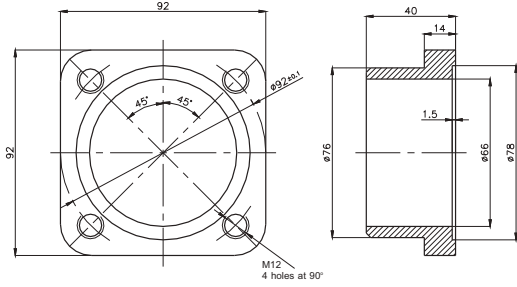
Technical data

Parameters		ERH-01-	ERH-02-	ERH-03-	ERH-04-
Hysteresis	ERH-xx-04, -06, -07	10, 20, 30 mm		50...250 mm	32...1350 mm
	ERH-xx-16, -16.1			100...400 mm	
Repeatability		±15%		±15%...±2% depending on the range	
Min. medium density		0,60 g/cm ³			
Max. process pressure	ERH-xx-04, -06, -16	4,0 MPa			1,6 MPa
	ERH-xx-07, -16.1	0,2 MPa			
Max. medium temperature	ERH-xx-04, -06	250°C			
	ERH-xx-16	100°C			
	ERH-xx-07, -16.1	70°C			
Ambient temperature		-25...+70°C			
Ingress Protection	ERH-xx-04, -06, -16	IP66			
	ERH-xx-07, -16.1	IP68			
Weight	ERH-xx-yy	1,8 kg	2,0 kg	2,1 kg	3,0 kg
	ERH-xxK-yy	2,6 kg	2,8 kg	2,9 kg	3,8 kg
	1m of cable	0,2 kg			
Explosion-proof	ERH-xx-16, -16.1	Ex II 1/2G c Ex de IIBT4 Ga/Gb			
Application		Liquids without contaminations by solid suspensions			Liquids without contaminations and contaminated by solid suspensions
Electric parameters	ERH-xx-04, -06, -07	AC15* U 230V; (50...60)Hz; I 10A; durability of contacts 3x10 ⁵ DC13** U 220V; I < 0,6A; durability of contacts 0,3x10 ⁵ Minimum voltage and switching current 10V; 20mA Cross section of connecting cables: one-wire 1...2,5mm ² multi-wire 0,75...1,5mm ²			
	ERH-xx-16, -16.1	AC15* U 230V (50...60)Hz; I 2,5A; durability of contacts 0,85x10 ⁵ DC13** U 220V; I < 0,3A; durability of contacts 0,3x10 ⁵ Minimum voltage and switching current 10V; 20mA Cross section of connecting cables: one-wire 1mm ² multi-wire 1mm ²			

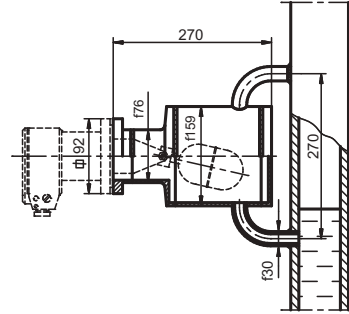
Category of usage: * acc. to PN-EN 60947-5-1, Electromagnet control (>72VA); ** acc. to PN-EN 60947-5-1, Electromagnet control

Accessories

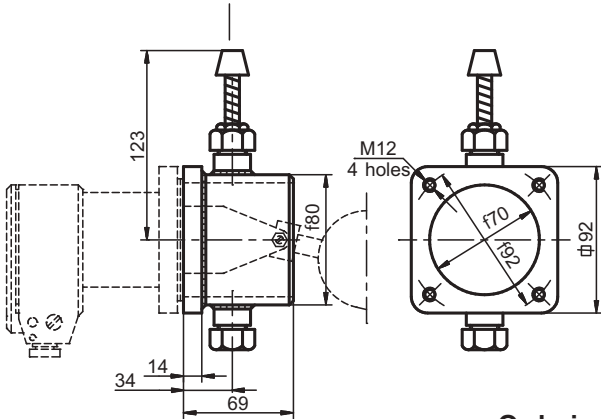
Counterflange type ER2-1646



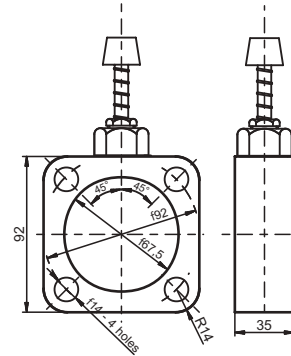
Assembly chamber ER3-1631



Tester ER3-1495



Tester ER3-1560



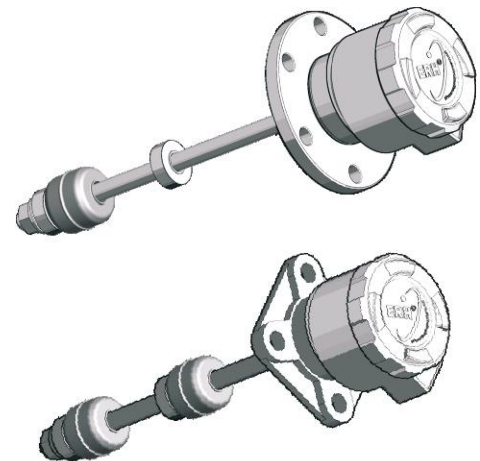
Ordering procedure

Model	Code	Description	
ERH		Level switch	
Constructional version	-01	Standard version	
	-02	Version for contaminated liquids with protection sleeve	
	-03	Version with adjustable hysteresis	
	-04	Top mounting version	
Version/certificate	-04	IP66, standard version	
	-04K	IP66, standard version, SS version	
	-06	IP66, marine approval, hygienic approval	
	-06K	IP66, marine approval, hygienic approval, SS version	
	-07	Submersible version IP68	
	-07K	Submersible version IP68, SS version	
	-16	IP66, explosion proof version	
	-16K	IP66, explosion proof version, SS version	
	-16.1	Submersible version IP68, explosion proof version	
	-16.1K	Submersible version IP68, explosion proof version, SS version	
Floating arm length/hysteresis	Options for ERH-01 and ERH-02 only	-1	Hysteresis h=10mm
		-2	Hysteresis h=20mm
		-3	Hysteresis h=30mm
		-4-0	Floating arm length A=125mm, B=125mm
		-4-1	Floating arm length A=185mm, B=80mm
		-4-2	Floating arm length A=250mm, B=125mm
		-4-3	Floating arm length A=140mm, B=120mm
		-4-4	Floating arm length A=100mm, B=120mm
		-4-5	Floating arm length A=120mm, B=80mm
		-4-6	Floating arm length A=150mm, B=80mm
	-4-Y	Floating arm length on request (please specify A and B)	
	Options for ERH-03 only	-1	Adjustable hysteresis min 100mm, max 400mm
		-2	Adjustable hysteresis min 50mm, max 250mm
			for ERH-03-16 and ERH-03-16.1 hysteresis min 50mm, max 400mm
Cable	-1	Without cable	
	-2	With cable L= ...m (standard 3m, other length on request,)	
Accessories	/ER3-1560-1	Testing equipment (material: St3S)	
	/ER3-1560-2	Testing equipment (material: 321ss)	
	/ER3-1495	Testing equipment to weld in a tank	
	/ER2-1646-1	Counter flange (material: St3S)	
	/ER2-1646-2	Counter flange (material: 321ss)	
	/ER3-1631	Assembly chamber	
	/DN80	Process connection flange DN80	
	/ANSI 3"	Process connection flange ANSI 3" 150LB	



Magnetic level switch ERH-xx-20

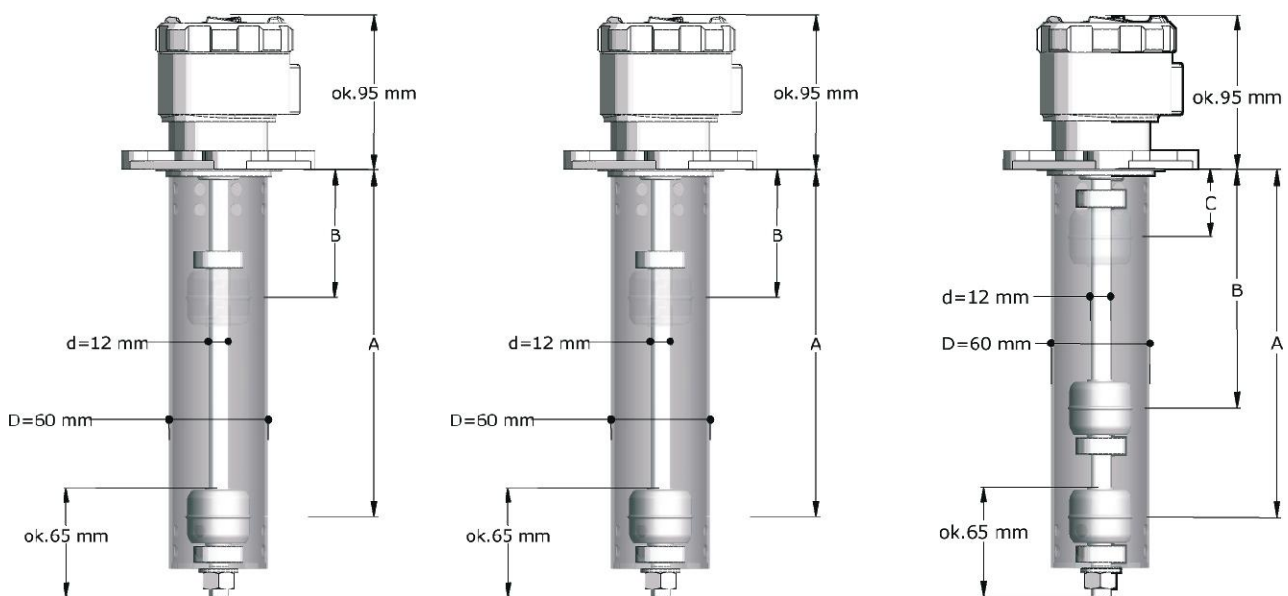
Level signalling of the medium having minimum density 0,70 g/cm³. The basic version, mounted from the top, is available with 92x92mm flange connector, head made from aluminium alloy and M20x1,5 cable gland with casing protection degree IP68. Other versions of mechanic or threaded flange connectors according to the ordering code. There is also a possibility of ordering the level switch with connector according to the requirements, e. g. with flange acc. to DIN or ANSI standard. The level switch can also be ordered in version fully made from acidproof steel, with additional cover protecting the float, made from stainless steel, with additional cover protecting the float, as well as with certified cable of optional length. The level switch has DNV GL Marine approval.



Technical data

Min. medium density	0,70 g/cm ³	Ingress Protection	IP68
Max. process pressure	1,0 MPa	Material of the wet part	316L
Ambient temperature	-25°C...+ 60°C	Material of the dry part	aluminum alloy or 316
Medium temperature	-25°C...+ 80°C	Floating element	Ø40x35mm
Switching points	1,2 or 3	Protection tube	Ø60
Switching rate *	230 V AC; 100VA; 1A 230 V DC; 50W; 0,5A	Weight of the level switch **	0,3...8,5 kg
Hysteresis	10mm	Weight of the cable	0,15 kg/m

* maximum parameters of the reed relays apply to the loads of resistance character; for inductive loads such as relay coils, one should apply adequate protecting systems (detailed pieces of information in Operation Manual)
** it depends on the version



The dimensions A, B and C depend on the ordered version. For one signalling point: A min. 50mm, A max. 1000mm. For two signalling points: A min. 150mm, A max 1000mm; B min. 50mm, B max 900mm; (A - B) min. 100mm. For three signalling points: A min. 250mm, A max 1000mm; B min. 150mm, B max 900mm; C min. 50mm, C max 800mm; (A - B) min. 100mm, (B - C) min. 100mm.

Ordering procedure

ERH-02-20	Level switch with flange connector □ 92mm (4 holes Ø14/Ø92mm)	
ERH-04-20	Level switch with flange connector Ø120mm (6 holes Ø12/Ø100mm)	
ERH-06-20	Level switch with flange connector DN80PN40 (8 holes Ø18/Ø160mm)	
ERH-09-20	Level switch with threaded connector 2" NPT	
ERH-XX-20	Level switch with connector according to the order	
	/A	1 switching point (give value A in mm)
	/A/B	2 switching points (give values A and B in mm) *
	/A/B/C	3 switching points (give values A, B and C in mm) *
	-1	Electric connector without cable
	-2	Electric connector with cable 3m length **
	-3	Electric connector ER2-1593 with cable 3m length **
	-K	Fully stainless steel version ***
	-P	With protection of float
ERH-11-20	Level switch with mounting clamp (mini version - fully stainless steel)	
	/H	1 switching point approximately in the middle of tube length
	-2	Electric connector with cable 3m length **
	-Y	With yoke / shackle
	-P	With protection of float

* the dimensions A, B and C depend on the ordered version; for one signalling point: A min. 50mm, A max. 1000mm; for two signalling points: A min. 150mm, A max 1000mm; B min. 50mm, B max 900mm; (A – B) min. 100mm; for three signalling points: A min. 250mm, A max 1000mm; B min. 150mm, B max 900mm; C min. 50mm, C max 800mm; (A – B) min. 100mm, (B – C) min. 100mm

** other lengths of cable upon the order

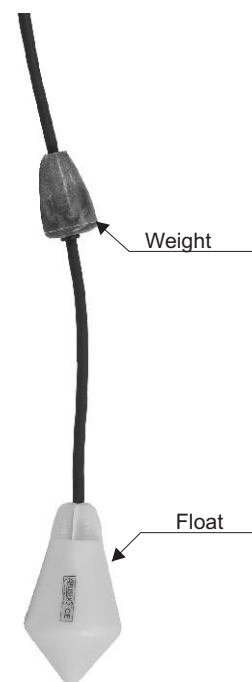
*** for controllers designed for operation in full submersion - we recommend selection of version options - fully stainless steel

Float level switch ERH-01-18

- ✓ **Min/max signalization**
- ✓ **Range change possible by changing weight position**
- ✓ **Direct control of low power pumps**
- ✓ **Chemical resistance to most common media**
- ✓ **High mechanical and electrical resistance**

Technical data

Minimal signalization range	350mm ±15%
Max. medium temperature	85°C
Max. pressure	0,35 MPa
Nominal current I_{nc}	20 A
Power supply	250V AC-50/60Hz
Contacts	filling - black – blue emptying - black – brown
Ambient temperature	-25...+80 °C
Ingress protection class	IP68
Cable length	10 or 20 m
Cable type	Neoprene HR HY H07RN8-F 3x1mm ²
Float material	Copolymer polypropylene
Additional accessories	Weight



Ordering procedure

ERH-01-18 / L = ... m/...

Cable length

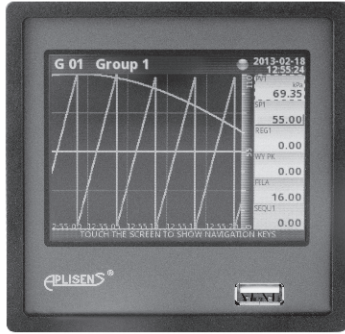
Optional: weight

Chapter VI

Digital indicators

Multichannel controllers with data logging capabilities type PMS-110R and PMS-111R.....	VI/ 2
Data logger model PMS-90R.....	VI/ 4
Display WW-11ALW	VI/ 6
Displays – WW-11N and WW-45.....	VI/ 7
Digital indicators with relay outputs PMS-920 and PMT-920.....	VI/ 8
Digital indicator with relay outputs PMS-970T.....	VI/ 9
Digital indicator with relay outputs PMS-970P	VI/ 10
Digital indicator with relay outputs PMS-620N	VI/ 11

Multichannel controller with data logging capabilities type PMS-110R / PMS-111R

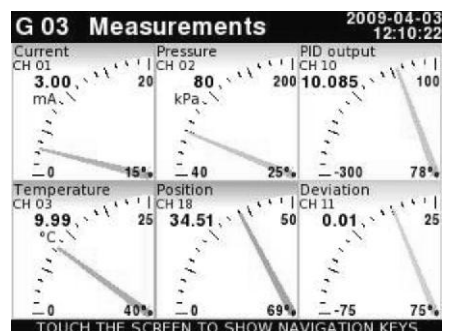
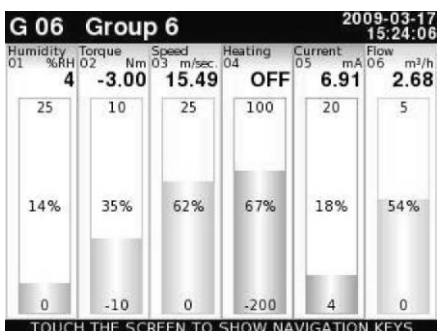
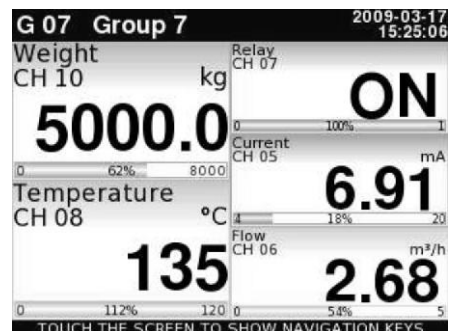
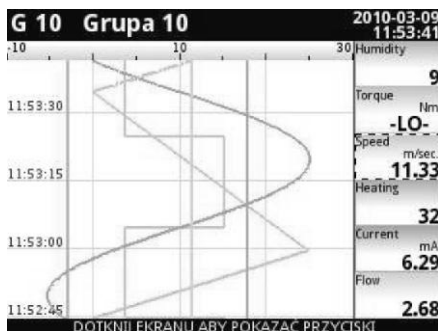


- ✓ compact multichannel controller with data logging capabilities
- ✓ analog / digital / universal inputs
- ✓ thermocouple / RTD inputs
- ✓ counter / flowmeter/ ratemeter inputs
- ✓ current or relay / SSR outputs
- ✓ USB Host port for flush data storage
- ✓ free configuration and recording software
- ✓ 3.5"/5.7 TFT, 320 x 240 pixels, touchscreen navigation

Application and functions

The data logger PMS-11..R is a powerful and versatile compact multichannel-controller with a capability to record data, if the recording function is requested and activated. Thanks to that it is one of the first industrial devices which integrates advanced control functions (PID, ON/OFF, time & profiles etc.) and logging of setpoints, excitations and current state of controlled objects. Based on Linux firmware, is stable and the touch screen makes configuration easy and comfortable and data presentation also readable and attractive. The device can simultaneously record all build-in logical channels, and is capable to record data with maximum speed 10Hz (ten samples per second, with some limitation of number of recorded channels). 1.5GB of internal data memory is enough for continuous recording of all channels with a speed of 1 sample per second (each channel) for over 50 days (250 000 000 samples in total!). An operator can download stored data using a USB flashdisk or via Ethernet.

Display configuration option



Technical data

Power supply: 19V ± 50V DC; 16V ± 35V AC or 85 ± 260V AC/DC

Power consumption: 15 VA typical; 20 VA max.

Communication interface:

standard: RS-485 (Modbus RTU), 1 x USB Host, USB Device
 enhanced version with ACM module: 2 x RS-485, 1 x RS-485/232,
 1 or 2 x USB Host, 1 x USB Device, 1 x Ethernet 10 MB
 enhanced version with ETU module: 1 x RS-485,
 1 or 2 x USB Host, 1 x USB Device, 1 x Ethernet 10 MB

Protection:

IP 65 (front) for version without front USB, available
 with additional sealing frame IP 65 for panel,
 IP 40 (front) for version with front USB
 IP 54 (front) for version with front USB with add. transparent door

Data memory: internal 1.5 GB, over 50 days (250 000 000 samples)

Working temperature: 0°C to +50°C

Storage temperature: -10°C to +70°C

Case style: panel mounting

Case material: NORYL - GFN2S E1

PMS-110R

Display: 3.5" graphic TFT, 16-bit colour, 320 x 240 pixels,
 touchscreen navigation

Measuring inputs:

- 48 analogue inputs (0/4-20 mA, 0/1-5V or 0/2-10V) max.
- 48 digital inputs max.
- 24 Thermocouple inputs max. (J,K, S, T, N, R, B, E)
- 12 RTD inputs max.
- 9 universal inputs (U/I/RTD/TC/mV) max
- 12 counter inputs max
- 12 flowmeter/ratometer inputs

Digital input: 1 x 24V DC, optocoupled

Sensor supply: 24 V DC ± 5% (200 mA max. for version with current inputs)

Outputs: - 8 analog (4-20 mA)

- 16 relay (1A/250V) / SSR outputs or 4 relay 5A/250V max.

Remote inputs and outputs available, via RS-485/Modbus RTU

Case dimensions: 96 x 96 x 100 mm

Panel cut-out dimensions: 90.5 x 90.5 mm

Installation depth: 102 mm min.

Panel thickness: 5 mm max

PMS-111R

Display: 5.7" graphic TFT, 16-bit colour, 320 x 240 pixels,
 touchscreen navigation

Measuring inputs:

- 72 analogue inputs (0/4-20 mA, 0/1-5V or 0/2-10V) max.
- 72 digital inputs max.
- 36 Thermocouple inputs max.(J,K, S, T, N, R, B, E)
- 18 RTD inputs max.
- 15 universal inputs (U/I/RTD/TC/mV) max
- 12 counter inputs max
- 12 flowmeter/ratometer inputs

Digital input: 1 x 24V DC, optocoupled

Sensor supply: 24 V DC ± 5% (200 mA max. for version with current inputs)

Outputs: - 18 analog (4-20 mA) max

- 36 relay (1A/250V), 72 SSR outputs or 18 relay 5A/250V max.

Remote inputs and outputs available, via RS-485/Modbus RTU

Case dimensions: 144 x 144 x 100 mm

Panel cut-out dimensions: 138,5 x138,5 mm

Installation depth: 102 mm min.

Panel thickness: 5 mm max

Optional accessories



- USB/RS-485 converter
- RS-232/RS-485 converter

Transparent door with
 moulded frame with key



Ordering code

PMS-110R

PMS-111R/



Logging capability:

L1: With logging capabilities

L0: Without logging capabilities

Modules:

slot A: choose module

slot B: choose module

slot C: choose module

Power supply:

1. 19..50V DC or 16..35V AC

2. 85V...260V AC/DC

Communication options:

AA: rear USB host

AB: front USB Host

AC: rear and front USB Host

BA: ACM module

BB: ACM module, front USB Host

CA: ETU module

CB: ETU module, front USB Host

Module	Description	PMS-110R			PMS-111R		
		Slot A	Slot B	Slot C	Slot A	Slot B	Slot C
P	empty slot	o	o	o	o	o	o
UI4	4 x voltage input + 4 x current input	o	o	o	o	o	o
UI8	8 x voltage input + 8 x current input	o	o	o	o	o	o
UI12	12 x voltage input + 12 x current input				o	o	o
UI4N8	4 x voltage inputs + 4 x current inputs + 8 x NTC inputs	o	o	o	o	o	o
UI4D8	4 x voltage inputs + 4 x current inputs + 8 x digital inputs	o	o	o	o	o	o
UI8N8	8 x voltage inputs + 8 x current inputs + 8 x NTC inputs				o	o	o
UI8D8	8 x voltage inputs + 8 x current inputs + 8 x digital inputs				o	o	o
U16	16 x voltage input	o	o	o	o	o	o
U24	24 x voltage input				o	o	o
I16	16 x current input	o	o	o	o	o	o
I24	24 x current input				o	o	o
IS6	6 x current input, isolated	o	o	o	o	o	o
RT4	4 x RTD input	o	o	o	o	o	o
RT6	6 x RTD input				o	o	o
TC4	4 x TC input	o	o	o	o	o	o
TC8	8 x TC input	o	o	o	o	o	o
TC12	12 x TC input				o	o	o
D8	8 x digital input	o	o	o	o	o	o
D16	16 x digital input	o	o	o	o	o	o
D24	24 x digital input				o	o	o
R81*	8 x SPST relay 1A output		o	o	o	o	o
R121	12 x SPST relay 1A output				o	o	o
R45*	4 x SPDT relay 5A output			o	o	o	o
R65	6 x SPDT relay 5A output				o	o	o
S8	8 x SSR output				o	o	o
S16	16 x SSR output				o	o	o
S24	24 x SSR output				o	o	o
IO2	2 x 4-20 mA output		o	o	o	o	o
IO4	4 x 4-20 mA output		o	o	o	o	o
IO6	6 x 4-20 mA output				o	o	o
IO8	8 x 4-20 mA output				o	o	o
UN3	3 x universal inputs	o	o	o	o	o	o
UN5	5 x universal inputs				o	o	o
CP2	2 x pulse input (universal counters)	o	o	o	o	o	o
CP4	4 x pulse input (universal counters)	o	o	o	o	o	o
HM2	2 x hourmeters, isolated	o	o	o	o	o	o
HM4	4 x hourmeters, isolated	o	o	o	o	o	o
FT2	2 x pulse input (flowmeters / ratemeters) + 2 x current input	o	o	o	o	o	o
FT4	4 x pulse input (flowmeters / ratemeters) + 4 x current input	o	o	o	o	o	o
FI2	2 x current input (flowmeters) + 2 x current input	o	o	o	o	o	o
FI4	4 x current input (flowmeters) + 4 x current input	o	o	o	o	o	o
CP4	4 x pulse input (universal counters)	o	o	o	o	o	o

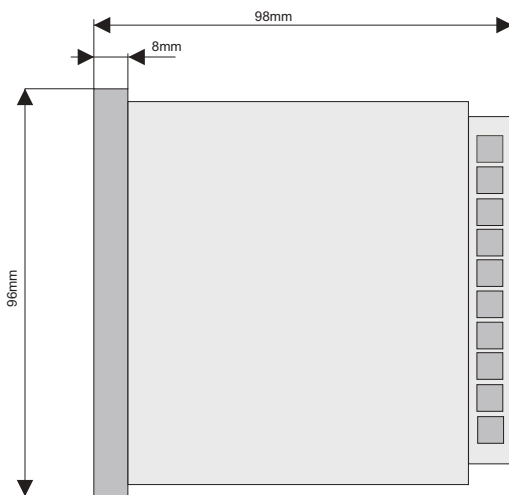
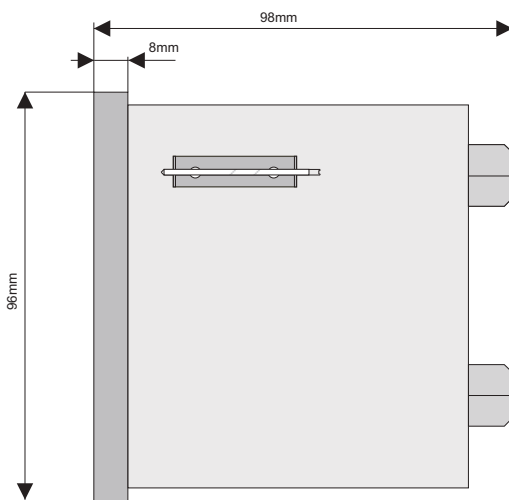
* R81 and R45 output modules of PMS-110R must be installed in slot C only.
 If two relay output modules are needed than they must be installed in slots B and C.

Data logger type PMS-90R



- ✓ Up to 8 I/U inputs or RTD/TC inputs
- ✓ 1 digital input for recording release
- ✓ 2 relay outputs in standard (optoMOS)
- ✓ USB Host port for flush data storage
- ✓ RS-485 / Modbus RTU
- ✓ Power supply 19V ÷ 50V DC, 85 ÷ 260V AC
- ✓ Free configuration and recording software

Application and functions

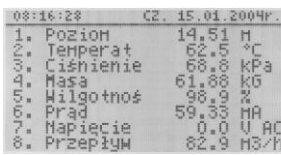


The industrial data logger PMS-90R is designed to record and display current values as well as to present technological parameters in the form of graphs. The device is equipped with 1, 4 or 8 U/I inputs (0/4-20mA, 0/1-5V, 0/2-10V) or RTD/TC inputs (Pt100, Pt500, Pt1000, TC type K, S, J, T, N, R, B, E), one impulse (digital) input for controlling the recording process and one USB Host port for flash data storage. The device has the memory capacity of 8 MB in version with USB (3 000 000 data recordings).

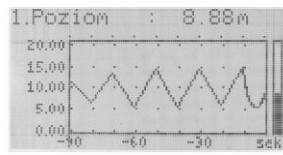
The measurement results can be represented in various forms (numerical, analog, graphic) equally as a singular reading, series of readings, or a group of channels. The archive of registered data can be searched, and the results of the search can be represented in graphic or tabular form.

The PMS-90 has 6 keys on the front panel. Keys enable the PMS-90R configuration. The menu assisted with full text descriptions makes the unit configuration of process quite easy. The data logger is fitted for galvanic insulated RS-485 interface, programmed with ModBus RTU transmission protocol. The PMS-90R can be programmed through PC with RS converter and Loggy Soft software.

Front panel views



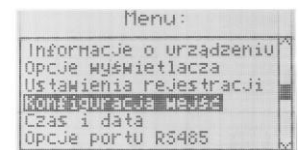
8- channels view displayed on the same time



History of process in time

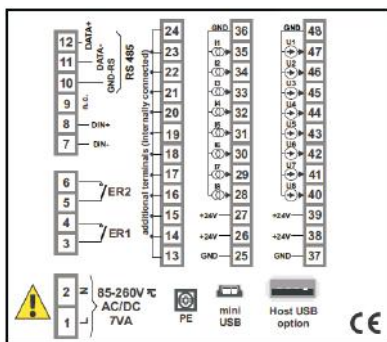


Presentation of results in "Single circuit" mode

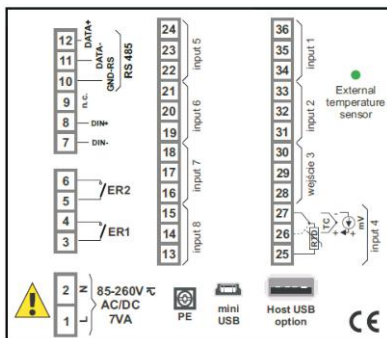


Main menu

Electrical diagram



Version with U/I inputs



Version with RTD/TC inputs

Input signal

Technical data

U/I (0/4–20mA, 0/1-5V, 0/2-10V or mixed)

RTD/TC (Pt100, Pt500, Pt1000, TC type

K, S, J, N, R, B, E,

0-60mV, 0-75mV, 0-150mV or mixed)

19 – 50V DC, 85 – 260V AC

max. 12 VA

Power supply

Power consumption

Measuring range

± 9999 (current inputs)

-100°C ÷ +600°C (RTD input)

Digital input

1 input 24V DC

Internal power supply

24V DC/200mA

Communication interface

RS-485 (Modbus RTU), USB Host port

Transmission speed

up to 115 200bit/sec.

Memory capacity

8 MB

Display

graphic LCD 128x64

Working temperature

0 ÷ 50 °C

Casing dimensions

96x96x100 [mm]

Relay outputs

24VAC (35VDC)/200mA (ER1, ER2)

IP protection

Front side:

IP40 (front USB version)

IP65 (rear USB version)

Terminals:

IP20

Optional accessories

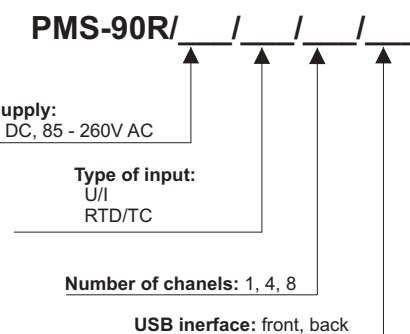


- USB/RS-485 converter
- RS-232/RS-485 converter



Transparent door with moulded frame with key

Ordering procedure



Display WW-11ALW

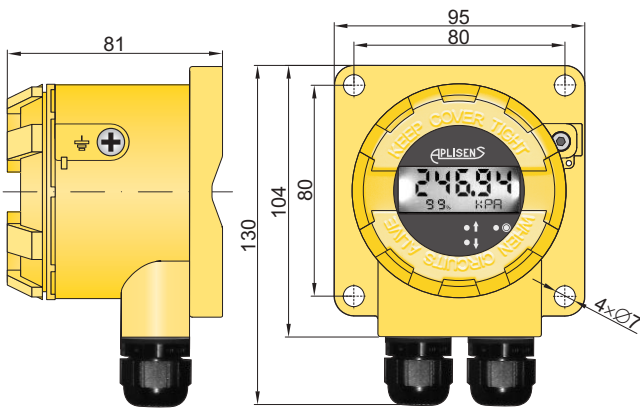
NEW



- ✓ Backlight display 5 × 10 mm
- ✓ Current input 4...20 mA
- ✓ Aluminum, wall or pipe mounted casing
- ✓ IP66
- ✓ Intrinsic safety certificate

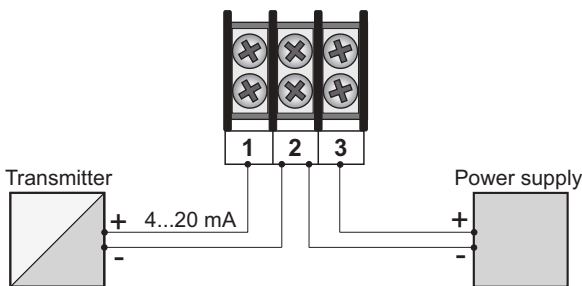
Application and function

The **WW-11ALW** digital indicator is designed to be used with any device with a 4...20 mA. The WW-11ALW has a configurable range of readings from -99999 to 99999. It has a display with 10 mm high figures. The position of the decimal point is also configurable. In addition display shows units of measured value and value of current in current loop or percentage of measuring range. Display can be mounted directly on wall or on Ø35...Ø65mm The indicator does not require an external power supply.



Technical data

Input signal	4 ÷ 20 mA
Display range	-99999...99999
Display error	0,2% ± 1 digit
Voltage drop	3 V
Additional voltage drop when backlight is on	3 V
Ambient temperature	-30...80°C
Ingress protection class	IP66 special version – IP67



Electrical diagram

Ordering procedure

WW-11ALW /

Options: **IP67**, **Ex**, **Ex(Da)**, **PP**

IP67 - ingress protection class IP67

Ex - Intrinsic Safety version

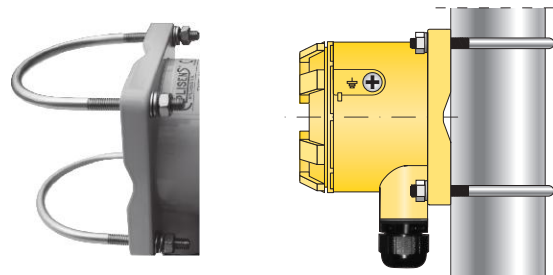
Ex II 2G Ex ia IIC T4 Gb

Ex(Da) - Intrinsic Safety version

Ex II 2G Ex ia IIC T4 Gb
II 1D Ex ia IIIIC T110°C Da

PP - version for transmitters with capillary in cable
(not available in Ex and Ex(Da) version)

Factory settings: range: **0...100,00**; unit: %; current value in measuring loop **4...20 mA**



Mounting bracket for for mounting WW-11ALW on vertical or horizontal pipe Ø35...Ø65

Ordering code: Mounting bracket **WW-11ALW**

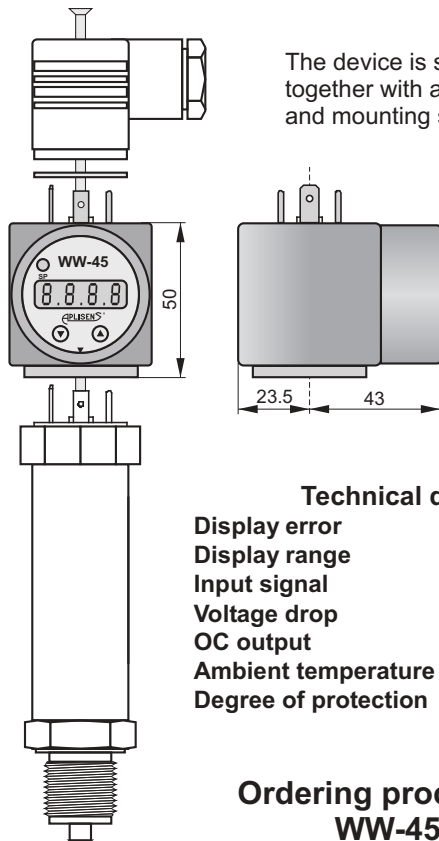
Displays WW-11N type and WW-45



Display WW-45

Application and function

The WW-45 digital indicator is designed to be used with any device with a 4...20 mA output signal and has a standard DIN EN 175301-803 connector on its output terminal. The indicator is typically used to give an additional local reading when carrying out remote measurement of absolute or relative pressures. The WW-45 has a configurable range of readings from -999 to 9999; the position of the decimal point is also configurable. It has a red LED display with 7.62 mm high figures. The indicator does not require an external power supply. It is fitted with a configurable open collector (OC) two-state output.



Technical data	
Display error	0.2% ± 1 digit
Display range	-999...9999
Input signal	4...20 mA
Voltage drop	max. 6 V
OC output	90 mA
Ambient temperature	0...70°C
Degree of protection	IP65

Ordering procedure
WW-45

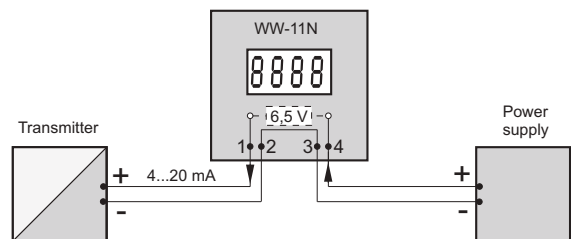


Display WW-11N

Dimensions
height 115, width 65, depth 55

Application and function

The WW-11N display can be used with any device having the output signal of 4...20 mA. The WW-11N has a configurable display range from -999 to 9999. Either linear or radical characteristic may be selected as well as display filtering level and rounding of the reading number. The measurement result is displayed on four-digit display LED (red), with figuring 13 mm high. The casing with a degree of protection IP-65 makes the display possible to be operated under difficult environmental conditions. No external power source is required.



Electrical diagram

Technical data	
Display error	0.2%
Display range	-999...9999
Input signal	4...20 mA
Voltage drop	max. 6.5 V
Ambient temperature	-30...50°C
Degree of protection	IP65

Ordering procedure
WW-11N

Digital indicators with relay outputs

PMS-920, PMT-920

- ✓ 4...20 mA or 0...20 mA current input (PMS-920)
0...5V, 1...5V, 0...10V, 2...10V voltage input (PMS-920)
Pt100 – resistant input (PMT-920)
- ✓ Two settable relay outputs: 1 A, 230 V AC
- ✓ Power supply 230 V AC (optional 24V AC/DC)
- ✓ Integrated power supply 24 V DC



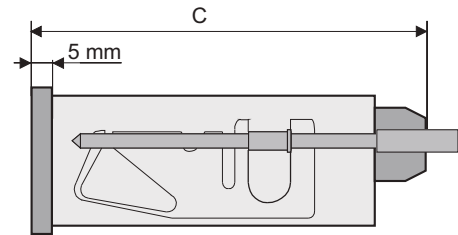
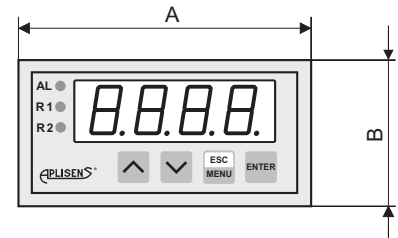
Functions and use

Programmable PMS-920, PMT-920 indicators are applicable to cooperation with the transmitters having a standard current or voltage output signal. Two alarm values controlling the relay outputs can be programmed. Diodes on the front of the indicator indicate the exceeding of the alarm values. The relay outputs have a pair of operating contacts. The transmitter can be powered directly from the indicator with a built-in auxiliary 24 V DC supply unit.

PMS-920 and PMT-920 meters enables the following parameters to be programmed:

- ◆ type of input signal: 4...20 mA or 0...20 mA, 0...5 V, 0...10 V, 1...5 V or 2...10 V, Pt100
- ◆ measured value display range and decimal point position;
- ◆ level and hysteresis of action of relays;
- ◆ state of contact during alarm;
- ◆ password restricting access to the programming menu;
- ◆ display filtering level.
- ◆ Colour of display: red, green.

External dimensions



Technical data	
Input signal	4...20 mA or 0...20 mA, voltage option 0...5 V, 0...10 V, 1...5 V or 2...10 V Resistant option Pt100
Display range	-999 to 9999
Display error	0.25% ± 1 digit
Relay outputs	2 (normally open contacts) 1 A, 250 VAC
Power supply	85 ÷ 260V AC/DC Special version: 24 V AC/DC
Integrated power supply:	24 V DC stab., max. 100 mA
Operating temperature	0...50°C
Storage temperature	-10...70°C
Display size:	LED 4x13mm Special version: LED 4x20mm (PMS-920/20) LED 4x38mm (PMS-920/38)
Casing	panel type, IP 40 (from the front) IP 20 (from the terminals)

PMS-920/ PMT-920:

(A=72mm , B=36mm , C=100mm)
Dimensions of panel cut-out 67mm × 32,5mm

PMS-920/20

(A=96mm , B=48mm , C=100mm)
Dimensions of panel cut-out 90,5mm × 43mm

Ordering procedure

PMS-920 / _____

PMT-920 / _____

20- display 4x20mm, housing 96x48x100mm

Digital indicator with relay outputs PMS-970T



- ✓ Universal measuring input
4...20 mA, 0...20 mA or 0...10 V
- ✓ 4 relay outputs: 1 A, 230 V AC
- ✓ RS-485 digital output
- ✓ 4 × 7 mm red LED display + 26-point bargraph
- ✓ Integrated power supply 24 V DC
- ✓ Additional options:
 - ⇒ passive current output

Functions and use

The programmable PMS-970T indicator is applicable to cooperation with the transmitters having a standard current or voltage output signal. Measurement is visible on 4-digit indication and 26-point bargraph. Four alarm values controlling the relay outputs can be programmed. Alarm values are indicated on bargraph and exceeding of the alarm values is indicated by diodes on the front of the display. The device can use a linear characteristic or a multi-segment characteristic freely definable by the user. The meter has RS-485/MODBUS RTU digital output and can also be provided with an a passive current output with programmable range of current variation.

Outer dimensions:

width **48**, height **96**, depth **120** [mm]

Dimensions of panel cut-out:

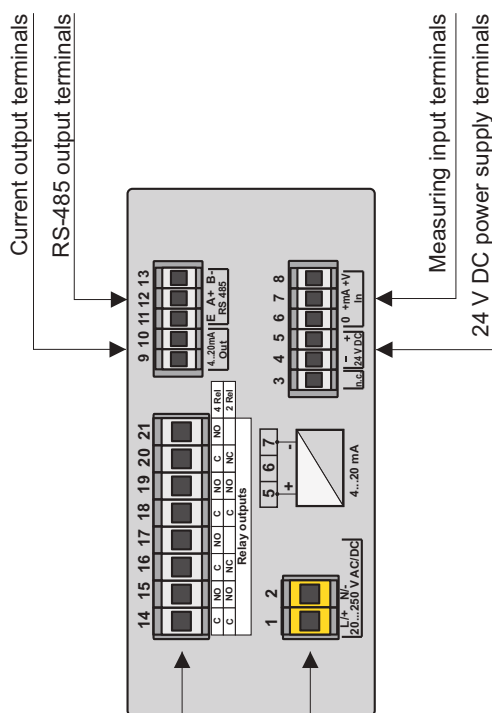
44,5 × 91,5 [mm]

The PMS-970T enables the following parameters to be programmed:

- ◆ measuring value display range and decimal point position;
- ◆ level and hysteresis of action of relays;
- ◆ relay operation mode: normally connected or normally disconnected;
- ◆ input signal conversion characteristic (segmental approximation, max. 15 segments);
- ◆ display filtering level;
- ◆ "alternating control of outputs" function used to balance wear on groups of pumps.
- ◆ two modes of bargraph: 2 and 3 color.

Technical data

Input signal	0/4...20 mA or 0...10 V
Display range	-999 to 9999
Display error	±0.1%
Relay outputs	4 × 1 A/250 V AC, NO
special version:	2 × 1 A/250 V AC, NO/NC
Power supply	20...250 V AC/DC
Integrated power supply	24 V DC stab., max. 25 mA
Operating temperature range	-20...50°C
Storage temperature	-20...70°C
Casing	panel type, IP65 (from the front)



Relay output terminals
Power supply (Mains)

Back side of meter

Ordering procedure

PMS-970T / _____

Special version:
2 – version with 2 relay outputs
WY – passive current output

Digital indicator with relay outputs PMS-970P

- ✓ Universal measuring input
4...20 mA, 0...20 mA or 0...10 V
- ✓ 4 relay outputs: 1 A, 230 V AC
- ✓ 4 × 20 mm red LED display
- ✓ RS-485 digital output
- ✓ Integrated power supply 24 V DC
- ✓ Additional options:
 - ⇒ passive current output



Functions and use

The programmable PMS-970P indicator is applicable to cooperation with the transmitters having a standard current or voltage output signal. Four alarm values controlling the relay outputs can be programmed. Diodes on the front of the indicator indicate the exceeding of the alarm values. The device can use a linear characteristic or a multi-segment characteristic freely definable by the user. The meter has RS-485/MODBUS RTU digital output and can also be provided with a passive current output with programmable range of current variation.

The PMS-970P enables the following parameters to be programmed:

- ◆ measuring value display range and decimal point position;
- ◆ level and hysteresis of action of relays;
- ◆ relay operation mode: normally connected or normally disconnected;
- ◆ input signal conversion characteristic (segmental approximation, max. 15 segments);
- ◆ display filtering level;
- ◆ "alternating control of outputs" function used to balance wear on groups of pumps.

Technical data

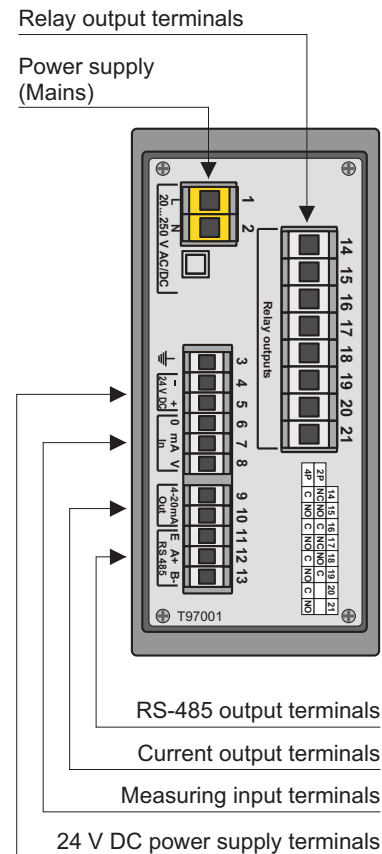
Input signal	0/4...20 mA or 0...10 V
Display range	-999 to 9999
Display error	±0.1%
Relay outputs	4 × 1 A/250 V AC, NO
Power supply	20...250 AC/DC
Integrated power supply	24 V DC stab., max. 25 mA
Operating temperature range	-20...50°C
Storage temperature	-20...70°C
Casing	panel type, IP65 (from the front)

Ordering procedure

PMS-970P / _____

Special version:
WY – passive current output

Outer dimensions:
width 96, height 48, depth 120[mm]
Dimensions of panel cut-out:
91.5 × 44.5[mm]



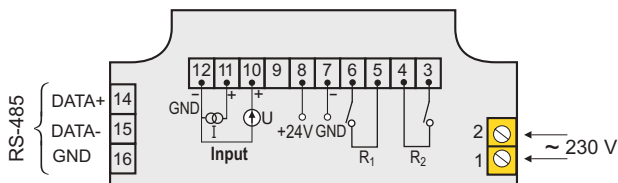
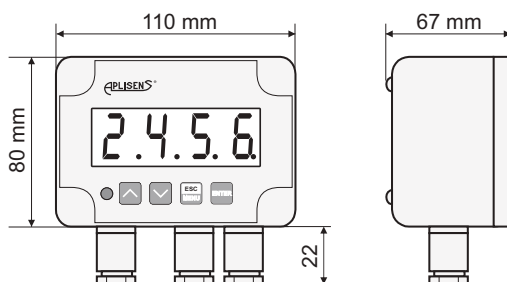
Back side of meter

Digital indicator with relay outputs PMS-620N



PG-7

Degree of protection IP65



- ✓ 4 × 20 mm red LED display
- ✓ Universal measuring input
4...20mA, 0...20mA or 0...10V
- ✓ Two relay outputs: 1 A, 230 V AC
- ✓ RS-485 digital output
- ✓ Integrated power supply 24 V DC
- ✓ Wall mounted casing

Application and function

The programmable PMS-620N indicator is applicable to cooperation with the transmitters having a standard input current and voltage signals. Two alarm values controlling the relay outputs can be programmed. Diodes on the front of the indicator indicate the exceeding of the alarm values. The relay outputs have a pair of operating contacts. The transmitter can be powered directly from the indicator with a built-in auxiliary 24 V DC supply unit.

The casing with a degree of protection IP-65 makes the display possible to be operated under difficult environmental conditions.

The following parameters can be programmed with the PMS-620N indicator:

- ◆ type of input signal
- ◆ measured value display range and decimal point position;
- ◆ level and hysteresis of action of relays;
- ◆ status of contact during alarm;
- ◆ password restricting access to programming menu;

Technical data

Input signal	4...20 mA, 0...20 mA 0..5V, 0..10V, 1..5V, 2..10V
Display range	-999 to 9999
Display error	0,1% ± 1 digit
Relay outputs	2 (normally open contacts) 1 A, 250 V AC, $\cos \varphi = 1$
Power supply	230 V AC ± 10%, max. 4,5 VA
Integrated power supply	24 V DC stab., max. 100 mA
Operating temperature	0...50°C
Storage temperature	-10...70°C
Casing	wall mounted, IP 65

Ordering procedure

PMS-620N

Chapter VII

Power supplies, isolators, signal converters, overvoltage protection

Power supply ZL-25-01	VII/ 2
Power supply ZL-24-08	VII/ 3
Current signal isolator without auxiliary power SP-02	VII/ 4
Power supply / isolator / signal converter ZSP-41	VII/ 5
Isolator / signal converter SP-11	VII/ 6
Intrinsically safe power supply and isolator ZS-30Ex1	VII/ 7
Intrinsically safe power supply and isolator ZS-31Ex1	VII/ 9
Overvoltage protection circuit UZ-2	VII/ 11

Power supply ZL-25-01

- ✓ Output power supply 2x24 V DC
- ✓ Maximum output current 2 × 50 mA
- ✓ Indication of presence of output voltage
- ✓ Permanently resistant to short circuits and excess voltage
- ✓ Casing can be fitted on a standard rail (TS35, TS32)



Applications and functions

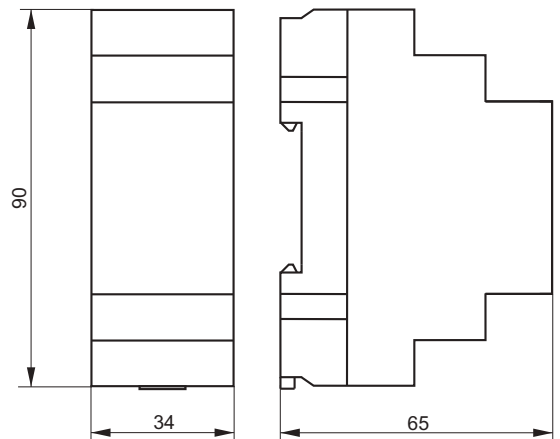
The ZL-24-01 power supply is used with a 230 V, 50 Hz AC network supply to power devices requiring direct current (output voltage in the range 5 ÷ 30 V, standard value 24 V).

The product is available with two voltage DC output 2x24 V DC (2x50mA). To increase output current both channels should be parallel connected.

The ZL-25-01 is typically used to power devices requiring a 24 V DC power supply.

Technical parameters

Input voltage	230 V, 50 Hz (±10%)
Output voltage	2x24 VDC (special versions: 5 ÷ 30 V)
Maximum load current	2 × 50 mA (current limitation 70 mA per circuit)
Galvanic separation	network transformer
Strength test parameters	1,5 kVAC, 50 Hz, 1 min
Ambient temperature	5...60°C
Casing	Z106 (KRADEX)
Ingress protection rating	IP20
Weight	0,4 kg



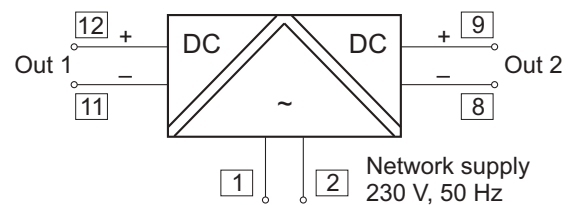
Ordering procedure

Standard version: **ZL-25-01**

Special version: **ZL-....-01**

Output voltage (value from 5 to 30 V)

Electrical diagrams



Power supply ZL-24-08

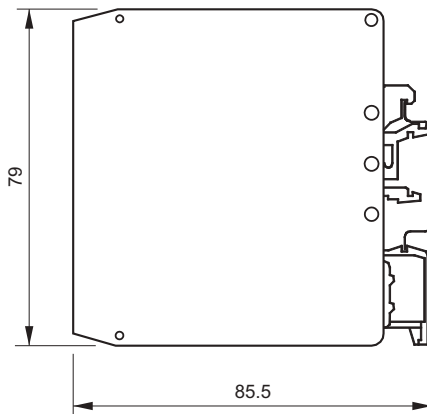


- ✓ Maximum output current 800 mA
- ✓ High energy efficiency
- ✓ Indication of the presence of output voltage
- ✓ Permanently resistant to short circuiting and excess voltage
- ✓ Overvoltage protection
- ✓ Casing can be fitted on a standard rail (TS35, TS32)

Applications and functions

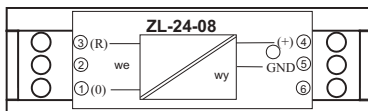
The ZL-24-08 power supply is typically used with a 230 V, 50 Hz AC network supply to power devices requiring direct current (output voltage in the range 5 ÷ 48 V, standard value 24 V).

The ZL-24-08 is typically used to power automatic devices requiring a 24 V DC power supply.

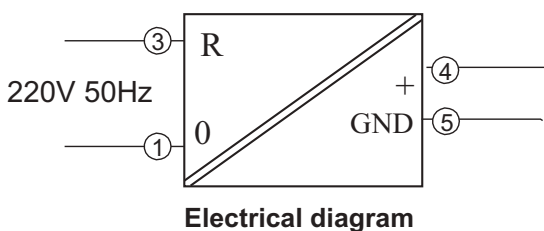


Technical parameters

Input voltage	230 V, 50 Hz (+15%, -20%)
Input current	≤ 100 mA
Output voltage	24 ± 1,2 V DC (special versions: 5 ÷ 48 V)
Maximum load current	0,8 A
Constant load current	0,1...0.5 A
Output power	≤ 20 W
Galvanic separation	pulse transformer
Strength test parameters	1,5 kV AC, 50 Hz, 1 min
Effect of load fluctuations	≤ 5% / 350 mA
Effect of supply voltage fluctuations	≤ 2%
Ambient temperature	5...60°C
Casing	UEGM 25 (PHOENIX)
Ingress protection rating	IP20
Weight	0,25 kg



View of front plate



NOTE: when installing, always ensure a sufficient gap between the power supply and other devices to enable heat to escape. The minimum distance from the side walls of the power supply is 15 mm.

Ordering procedure

Standard version: **ZL-24-08**

Special version: **ZL-....-08**

Output voltage (value from 5 to 48 V)

SP-02 current signal isolator without auxiliary power

- ✓ **Single circuit or dual circuit version in 12,5 mm wide casing**
- ✓ **Accuracy 0,16%**
- ✓ **Casing can be fitted on a standard adapter (TS35)**

Applications and functions

The SP-02 signal isolator provides galvanic separation of an input signal (0/4...20 mA) and converts it, through a separation system into an output signal (0/4...20 mA), with a two-wire power supply in the input signal loop.

The device is typically used to provide galvanic separation between the measurement circuits installed on an object, and the main section. This enables the effect of object-related interference in the monitoring, control and recording systems of automatic devices to be largely eliminated.

Technical parameters

Input data

Input signal	0/4...20 mA
Voltage drop at input	$\leq 3,5 \text{ V} + I_{\text{OUT}} \times R_o$

Output data

Output signal	0/4...20 mA
Load resistance R_o	0...500 Ω

Galvanic separation

Strength test parameters	1,5 kV, 50 Hz, 1 min
---------------------------------	----------------------

Dynamic characteristics

Transmission band	5 Hz (3 dB)
--------------------------	-------------

Conversion errors

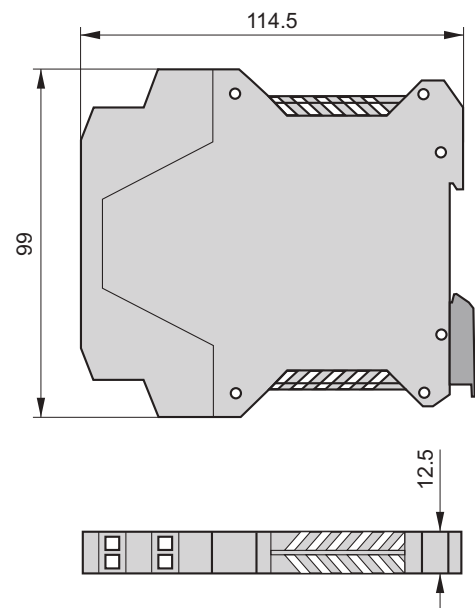
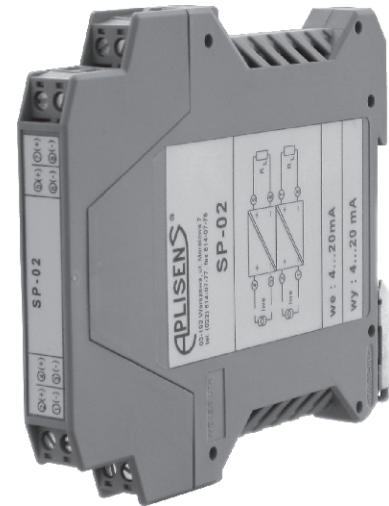
Accuracy	$\leq \pm 0,16\%$
When converting a 0...20 mA signal to 0...20 mA in the range below 1% of signal, the error increases to $\pm 0,5\%$.	
Effect of temperature fluctuations	0,1% / 10°C
Effect of load resistance fluctuations	0,1% / 100 Ω

Conditions of normal use

Ambient temperature	5...60°C
Relative humidity	30...80%

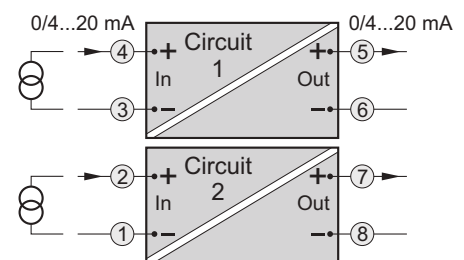
Casing

Type	ME 12.5 (PHOENIX)
Ingress protection rating	IP20
Weight	0,1 kg



Ordering procedure

Standard version:	SP-02 /	↑
Special version: (with 0...10 V voltage output)	SP-02 / 0...10 V /	↑
	Number of circuits (1 or 2)	↑



Electrical diagram

Power supply/isolator/signal converter ZSP-41/1 and ZSP-41/2



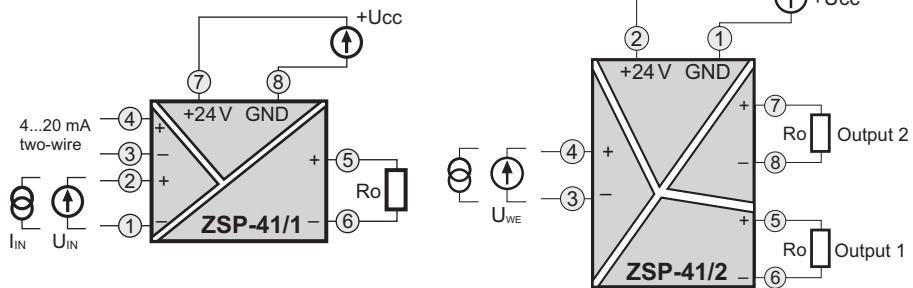
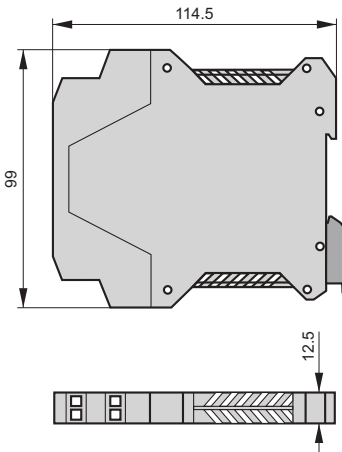
- ✓ Full galvanic separation of circuits (IN-OUT, IN-SUP, OUT-SUP)
- ✓ Ability to select input and output signals
- ✓ Ability to use input line to power a two-wire transmitter
- ✓ Casing can be fitted on a standard rail (TS35)

Applications and functions

The ZSP-41 provides galvanic separation of an input signal (4 ÷ 20 mA, 0 ÷ 20 mA, 0 ÷ 10 V) and converts it, through a separation system into an output signal. An additional input line may be connected to any two-wire transmitter to provide it with a 19 ÷ 24 V. The device is typically used to provide galvanic separation between the measurement circuits installed on an object, and the main section.

Configuration, calibration

The user can use switches to configure input and output settings for the following signals. Access to switches by removing the front panel. Isolator can be produced to support other input and output signals. Calibration is carried out using potentiometers.

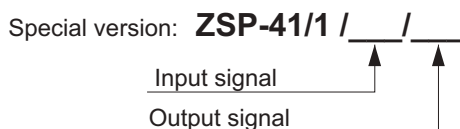


Technical parameters

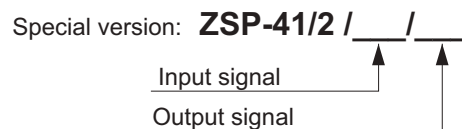
- **Input parameters**
 - Input signal (selected by switch)**
0...20 mA, 4...20 mA, 0...10 V
 - Input resistance**
≥ 50 kΩ (voltage input) / 20 Ω (current input)
- **Output parameters**
 - Output signal (selected by switch)**
0...20 mA, 4...20 mA, 0...10 V
 - Load resistance**
0...500 Ω (current output) / ≥ 1 kΩ (voltage output)
- **Galvanic separation: opto-electronic**
 - Strength test parameters**
1,5 kV AC, 50 Hz, 1 min
- **Dynamic characteristics**
 - Transmission band: 5 Hz (3 dB)**
- **Power supply**
 - Supply voltage: 24 V ± 20%**
 - Supply current: ≤ 100 mA**
- **Conditions of normal use**
 - Ambient temperature: 5...60°C**
 - Relative humidity: 30...80%**
- **Casing**
 - Type: UEGM 22.5 (PHOENIX)**
 - Ingress protection rating: IP20**
- **Weight: 0,1 kg**
- **Conversion errors**
 - Accuracy: ≤ ±0,16%**
Typically, the converter is set for the range 4...20 mA / 4...20 mA. Setting of a different range will lower the class of the converter to 0,25% (tuning is possible using trimmers accessible from the front plate).

Ordering procedure

Standard version: **ZSP-41/1**



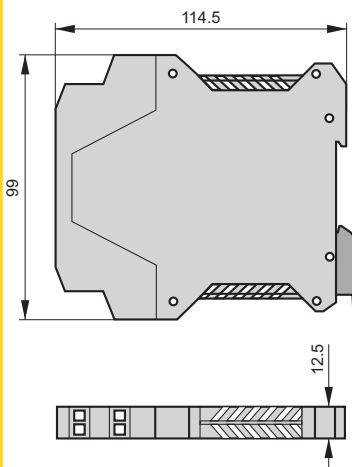
Standard version: **ZSP-41/2**



Isolator/signal converter SP-11



- ✓ Single circuit or dual circuit version in 12,5 mm wide casing
- ✓ Opto-electronic galvanic separation (IN-OUT)
- ✓ Ability to select input signal
- ✓ 9...36 V power supply in the output signal loop
- ✓ Casing can be fitted on a standard rail (TS35)



Applications and functions

The SP-11 signal isolator provides galvanic isolation of an input current or voltage signal and converts it, through a separation system into an output signal 4...20 mA with a two-wire power supply in the output signal loop.

The device is typically used to provide galvanic isolation between the measurement circuits installed on an object, and the main section.

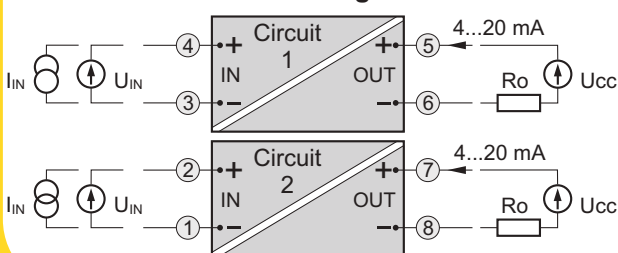
Configuration, calibration

The user can use switches to configure input and output settings for the following signals

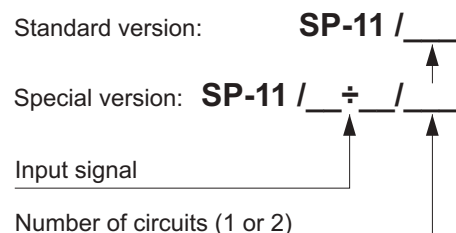
Technical parameters

- **Input parameters**
 - Input signal (selected by switch)**
0...20 mA, 4...20 mA, 0...5mA, 1...5mA,
0...10 V, 2...10V
 - Input resistance**
≥ 50 kΩ (voltage input) / 20 Ω (current input)
- **Output parameters**
 - Output signal:** 4...20 mA
 - Load resistance:** 0...500 Ω
- **Galvanic separation:** opto-electronic
 - Strength test parameters**
1,5 kV AC, 50 Hz, 1 min
- **Dynamic characteristics**
 - Transmission band:** 5 Hz (3 dB)
- **Power supply**
 - Supply voltage:** 9...36 V
- **Conditions of normal use**
 - Ambient temperature:** 5...60°C
 - Relative humidity:** 30...80%
- **Casing**
 - Type:** UEGM 22.5 (PHOENIX)
 - Ingress protection rating:** IP20
- **Weight:** 0,1 kg
- **Conversion errors**
 - Accuracy:** ≤ ±0,16%
 - Typically, the converter is set for the range 4...20 mA / 4...20 mA. Setting of a different range will lower the class of the converter to 0,25% (tuning is possible using trimmers accessible from the front plate).

Electrical diagram



Ordering procedure



Intrinsically safe power supply and isolator ZS-30Ex1



- ✓ Ex I (M1) [Ex ia Ma] I
II (1)G [Ex ia Ga] IIC

Ex-rated intrinsically safe

- ✓ **Full galvanic separation of circuits (IN-OUT, IN-SUPPLY, OUT-SUPPLY)**
- ✓ **Accuracy 0,1%**
- ✓ **Casing can be mounted on a standard TS35 rail**

Application and functions

The ZS-30Ex1 power supply and isolator is a partially intrinsically safe device with an external (input) intrinsically safe circuit.

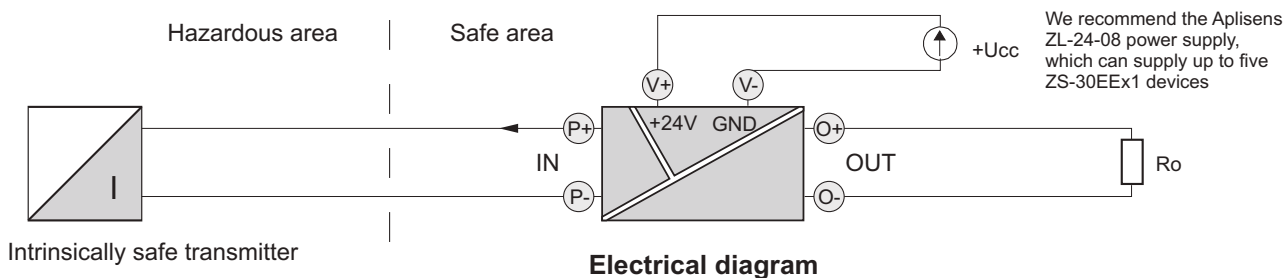
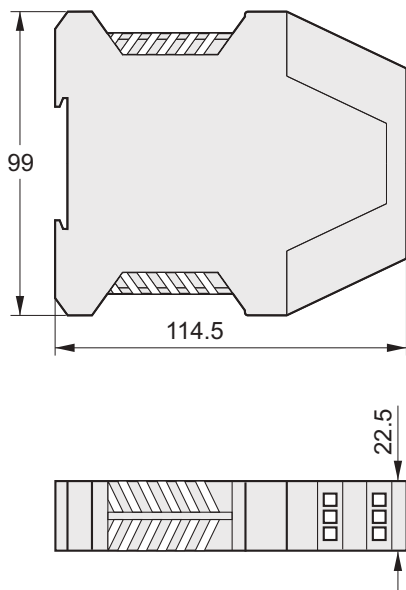
The ZS-30Ex1 is designed to supply power to intrinsically safe transmitters used in a hazardous area, with a 4...20 mA signal in a two-wire transmission, and to transform that signal through a galvanic separation circuit into one of the standard signals used in automatic control.

The supply voltage of the intrinsically safe input circuit of the standard version of the ZS-30Ex1 is 25 V DC. At the customer's request this voltage can be altered to 16, 18, 22 or 24 V DC.

The output circuit can be connected to any apparatus with a separated supply voltage of < 250 V (from transformer-based network supplies).

Calibration

The user can adjust the setting of the start-point and width of the range using potentiometers accessible via marked holes in the front panel.



Technical parameters

- Input parameters

Input signal from the transmitter 4...20 mA

Standard version

Supply voltage of the input circuit U_{IN}	15 V	18 V	20 V	22 V	25 V
Maximum voltage on the terminals of the input circuit U_0	15,75 V	18,9 V	21 V	23,1 V	25,5 V

Input voltage after loading by the transmitter with output signal 4...20 mA
 $U_{IN20} = U_{IN} [V] \cdot 0,75$
 U_{IN} is the supply voltage of the input circuit

Maximum shorting current of input circuit $I_0 = 100 \text{ mA}$

- Output parameters

Output signal	Output load resistance
4...20 mA	500 Ω
0...20 mA	500 Ω
0...5 mA	2 k Ω
0...5 V, 1...5 V, 0...10 V	10 k Ω

Standard version

- Galvanic separation

IN-OUT optoelectronic
 IN-SUPPLY, OUT-SUPPLY pulse transformer
 Test voltage between circuits 2,5 kV AC, 50 Hz or equivalent DC

- Conversion errors

Accuracy 0,1%
 Non-linearity $\pm 0,05\%$
 Effect of temperature fluctuations $\leq \pm 0,1\% / 10^\circ\text{C}$
 Effect of load resistance fluctuations $\leq \pm 0,05\%$
 Effect of supply voltage fluctuations $\leq \pm 0,1\%$

- Dynamic characteristics

Time constant c. 0,05 s (by arrangement: 0,1...1 s)

- Power supply

Supply voltage 24V DC $\pm 10\%$
 Permitted ripple $\leq 1\%$
 Supply current $\leq 90 \text{ mA}$

- Conditions of normal use

Ambient temperature 5...60°C
 Relative humidity 30...80%

- Casing

Ingress protection rating IP20

- Weight

0,2 kg

Ordering procedure

Standard version ($U_{IN} = 25 \text{ V}$, output 4...20 mA): **ZS-30Ex1**

Special version: **ZS-30Ex1 /** **/**

Input circuit voltage \uparrow

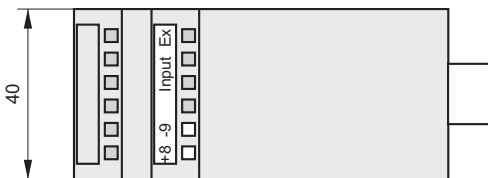
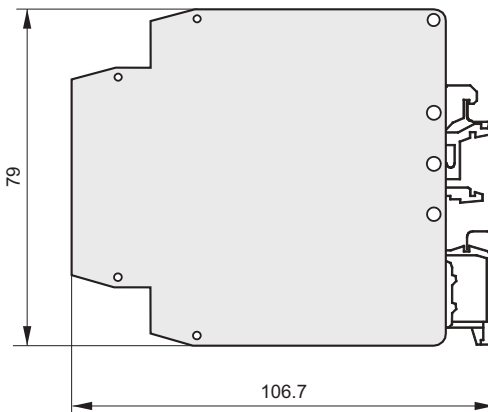
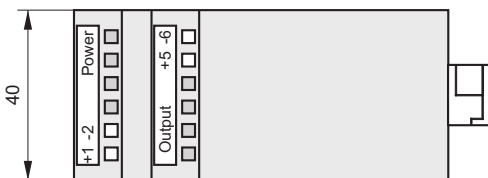
Output signal \uparrow

Important: For transmitters in version ALW with switched on illumination of display and used internal resistor 250 Ω should be specified model ZS-30Ex1/24V/25.2V.

Intrinsically safe network power supply and isolator ZS-31Ex1



- ✓ I (M1) [Ex ia Ma] I
II (1)G [Ex ia Ga] IIC
Ex-rated intrinsically safe
- ✓ **Full galvanic separation of circuits (IN-OUT, IN-SUPPLY, OUT-SUPPLY)**
- ✓ **Accuracy 0,1%**
- ✓ **Casing can be mounted on a standard rail (TS35, TS32)**



Application and functions

The ZS-31Ex1 power supply and isolator is a partially intrinsically safe device with an external (input) intrinsically safe circuit.

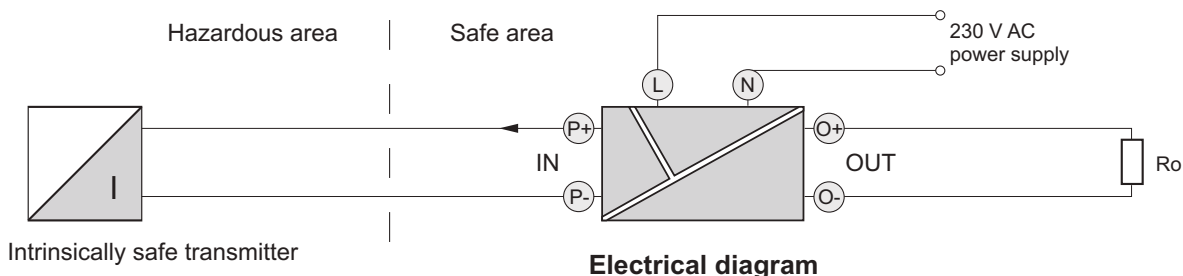
The ZS-31Ex1 is designed to supply power intrinsically safe transmitters used in a hazardous area, with a 4...20 mA signal in a two-wire transmission, and to transform that signal through a galvanic separation circuit into one of the standard signals used in automatic control.

The supply voltage of the intrinsically safe input circuit of the standard version of the ZS-31Ex1 is 25 V DC. At the customer's request this voltage can be altered to 16 or 18 V DC.

The output circuit can be connected to any apparatus with a separated supply voltage of < 250 V (from transformer-based network supplies).

Calibration

The user can adjust the setting of the start-point and width of the range using potentiometers accessible via marked holes in the front panel.



Technical parameters

• Input parameters

Input signal from the transmitter 4...20 mA

Standard version

Supply voltage of the input circuit U_{IN}	15 V	18 V	20 V	22 V	25 V
Maximum voltage on the terminals of the input circuit U_0	15,75 V	18,9 V	21 V	23,1 V	25,5 V

Input voltage after loading by the transmitter with output signal 4...20 mA

$$U_{IN20} = U_{IN} [V] \cdot 0,75$$

U_{IN} is the supply voltage of the input circuit

Maximum shorting current of input circuit

$$I_0 = 100 \text{ mA}$$

• Output parameters

Output signal	Output load resistance
4...20 mA	500 Ω
0...20 mA	500 Ω
0...5 mA	2 k Ω
0...5 V, 1...5 V, 0...10 V	10 k Ω

Standard version

• Galvanic separation

IN-OUT

optoelectronic

IN-SUPPLY, OUT-SUPPLY

network transformers

Test voltage between circuits

2,5 kV AC, 50 Hz or equivalent DC

• Conversion errors

Accuracy

0,1%

Non-linearity

$\pm 0,05\%$

Effect of temperature fluctuations

$\leq \pm 0,1\% / 10^\circ\text{C}$

Effect of load resistance fluctuations

$\leq \pm 0,05\%$

Effect of supply voltage fluctuations

$\leq \pm 0,1\%$

• Dynamic characteristics

Time constant

c. 0,05 s (by arrangement: 0,1...1 s)

• Power supply

Supply voltage

rated: 230 V AC $\pm 10\%$

Maximum power

$\leq 4 \text{ VA}$

• Conditions of normal use

Ambient temperature

5...60 $^\circ\text{C}$

Relative humidity

30...80%

• Casing

Ingress protection rating

IP20

• Weight

0,35 kg

Ordering procedure

Standard version ($U_{IN} = 25 \text{ V}$, output 4...20 mA): **ZS-31Ex1**

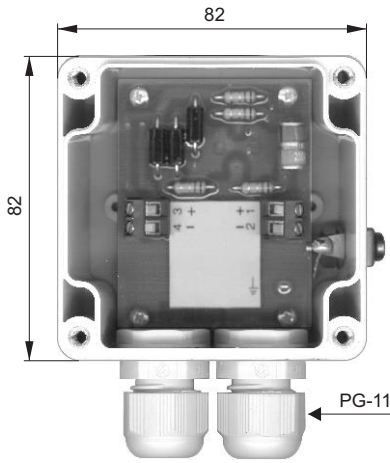
Special version: **ZS-31Ex1 /** **/**

Input circuit voltage

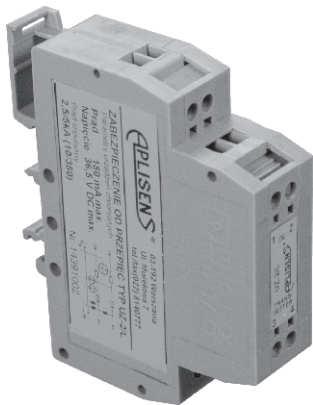
Output signal

Important: For transmitters in version ALW with switched on illumination of display and used internal resistor 250 Ω should be specified model ZS-31Ex/24V/25.2V.

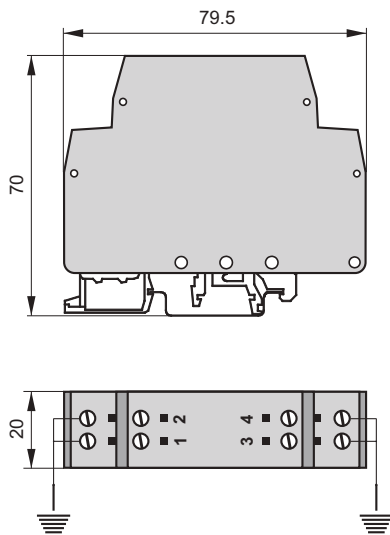
Overvoltage protection circuit UZ-2



Wall-mounted version



Rail mounted version



Application

The UZ-2 protection circuit is designed to provide overvoltage protection for measurement transmitters and auxiliary devices. The most common types of overvoltage which cause danger to measuring apparatus are:

- ◆ voltage and current pulses in the signal line, caused for example by a break in the induction circuit, the effect of high frequency circuits or high-power energy supply devices;
- ◆ overvoltages caused by atmospheric discharge.

Note that the UZ-2 may not be used as a basic lightning protector, but only as additional protection for a measuring device.

The UZ-2 is a type of barrier consisting of diode transiles, resistors and gas arresters.

The barrier provides protection by limiting the size of the voltage which can be applied to the protected device to the voltage of the diode transiles, i.e. approximately 43 V in the case of static overload. Both leads of the signal line are protected independently of each other.

Installation

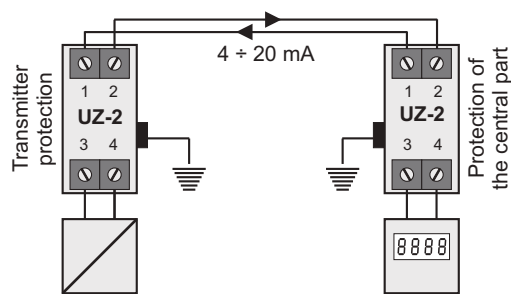
The device is produced in two versions: a wall-mounted version (N) and rail mounted version (L). It is best to install the device close to the protected apparatus. Electrical connections should be made as shown in the diagram, taking care to ensure proper earthing.

Operating parameters

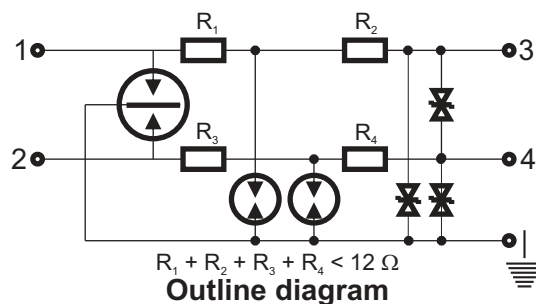
Maximum working current	150 mA
Maximum working voltage	36,5 V DC
IP 65	

Ordering procedure

Wall-mounted version	UZ-2/N
Rail mounted version	UZ-2/L



Electrical diagram



Outline diagram

Chapter VIII

Flow measuring systems

Electromagnetic flowmeter PEM-1000	VIII/ 2
Flange type of nozzle flowmeter ZPK.....	VIII/ 6
Welded type of nozzle flowmeter ZPR	VIII/ 7
Orifice flowmeter with assembling element ZPS	VIII/ 8
Venturi type flowmeter ZPV.....	VIII/ 9
Pitot tube flow measurement.....	VIII/ 10

Electromagnetic flowmeter type PEM-1000

- **Nominal size:** DN10...1000 (ANSI 0,5...40")
- **Maximum static pressure** 1,6MPa, 2,5MPa or 4MPa
- **Accuracy:** +/-0,5%
- **Analog outputs:** 4...20mA,
- **Communication interface:** Modbus RTU / RS 485
- **Pulse output (uni- or bidirectional) / frequency output**

Application

Electromagnetic flowmeter for bidirectional measurement of liquids with a minimum conductivity of 5 µS/cm:

- Acid, alkalis
- Paints
- Pastes
- Water, wastewater, etc.

Measuring principle:

Following Faraday's law of magnetic induction, a voltage is induced in a conductor moving through a magnetic field. In the electromagnetic measuring principle, the flowing medium is the moving conductor. The voltage induced is proportional to the flow velocity and is supplied to the amplifier by means of two measuring electrodes. The flow volume is calculated by means of the pipe cross-sectional area. The DC magnetic field is created through a switched direct current of alternating polarity.

Measuring system

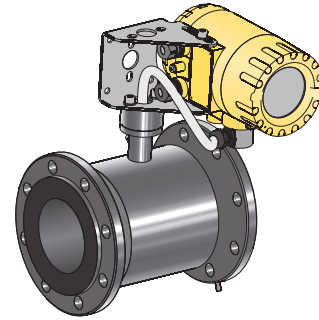
The measuring system consists of a transmitter and a sensor.

Two versions are available:

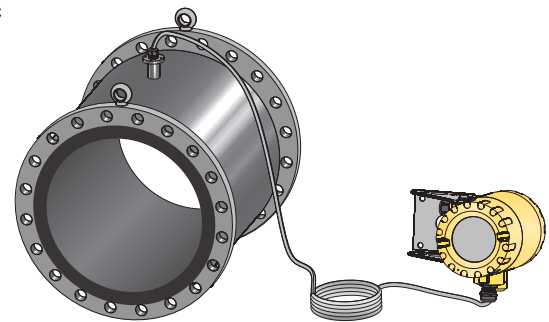
- Compact version: Transmitter and sensor form a mechanical unit PEM-1000ALW
- Remote version: Sensor is mounted separate from the transmitter PEM-1000NW

Advantages

- Flexible and clever assembling system
- Easy and fast-moving change from compact to remote version
- Innovative and high-power transmitter for every application
- Robust and resistant cover of sensor and transmitter



PEM-1000ALW



PEM-1000NW

Flow value table in [m ³ /h]						
DN	v=0,3m/s	v=1m/s	v=3m/s	v=5m/s	v=8m/s	v=10m/s
10	0,085	0,283	0,848	1,414	2,262	2,827
15	0,191	0,636	1,909	2,545	3,181	3,817
20	0,339	1,131	3,393	5,655	9,048	11,310
25	0,530	1,767	5,301	8,836	14,137	17,671
32	0,869	2,895	8,686	14,476	23,162	28,953
40	1,357	4,524	13,572	22,619	36,191	45,239
50	2,121	7,069	21,206	35,343	56,549	70,686
65	3,584	11,946	35,838	59,729	95,567	119,46
80	5,429	18,096	54,287	90,478	144,76	180,96
100	8,482	28,274	84,823	141,37	226,19	282,74
125	13,254	44,179	132,54	220,89	353,43	441,787
150	19,085	63,617	190,85	318,087	508,94	636,17
200	33,929	113,10	339,30	565,49	904,78	1130,0
250	53,014	176,71	530,14	883,57	1413,7	1767,1
300	76,341	254,47	763,41	1272,3	2035,7	2544,7
350	103,90	346,36	1039,1	1731,8	2770,9	3463,6
400	135,72	452,39	1357,2	2261,9	3619,1	4523,9
500	212,06	706,86	2120,6	3534,3	5654,9	7068,6
600	305,36	1017,9	3053,6	5089,4	8143,0	10178,7
800	542,87	1809,6	5428,7	9047,8	14476,4	18095,5
1000	848,23	2827,4	8482,3	14137,1	22619,4	28274,3

Optimal flow speed v=3m/s

Standard Qmax and recommended Qmax range		
DN	Standard flow rate [m ³ /h]	Flow rate range [m ³ /h]
10	1	1 - 1,7
15	2	2 - 3,8
20	4	3,5 - 6,8
25	5	5 - 10,6
32	10	9 - 17,4
40	15	14 - 27,1
50	20	20 - 42,4
65	30	30 - 72
80	50	50 - 109
100	100	85 - 170
125	150	130 - 265
150	200	190 - 380
200	360	340 - 680
250	500	500 - 1060
300	760	760 - 1530
350	1000	1000 - 2080
400	1300	1300 - 2700
500	2000	consult manufacturer
600	3000	
800	5000	
1000	8000	

Technical data

Specification for PEM-1000 control unit

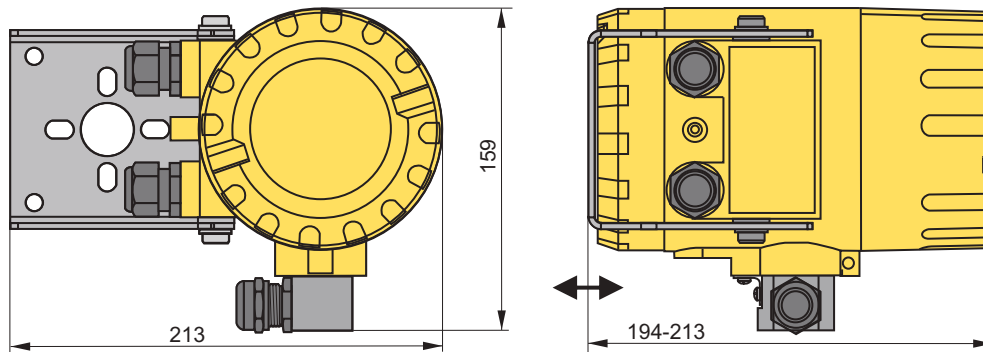
Electrical conductivity of the medium	≥ 5µS/cm
Input resistance	≥ 10 ¹⁰ Ω
Accuracy	±0,5% of reading at 20÷100% Q _{max} ±1,0% of reading at 10÷20% Q _{max} (for reference conditions)*
Low flow rejection	adjustable, any value
Actual flow	both directions (l/s, m ³ /h, m ³ /s, other)
Totalizer	2-side (m ³ , other)
Configuration	LCD display/buttons or Modbus RTU via RS485
Empty pipe detection	cyclic, configurable
Analog output	4÷20mA/500Ω active output (passive output – on request)
Pulse/frequency output	max. 24V/10mA DC 0,1...1000Hz in frequency mode direction signaling by 2-state output
Communication output	Modbus RTU/RS 485 galvanic insulation
2-state input	5...35V DC/2mA passive input, galvanic insulation, reverse polarity protection
Power supply	90...260V AC/50Hz/15VA 10...36V DC/15W (reverse polarity protection)
Protection class	IP66 (IP67 on request)
Ambient temperature	-20...60°C
Weight	3,5kg

Specification for PEM-1000 sensor

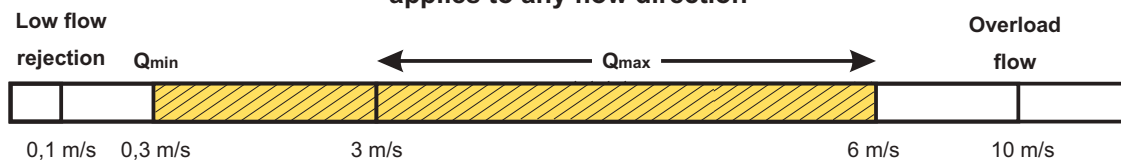
Nominal size	DN10÷1000 (ANSI 0,5"…40")
Max. static pressure	standard: 1,6MPa (2,5MPa, 4MPa on request)
Process connection	flange DIN (ANSI, BS)
Ambient temperature	-20÷60°C
Liner temperature range	Rubber: -5÷90°C Teflon: -25÷130°C
Connection cable	standard: 8m (other on request)
Electrodes material	316L (Hastelloy/Tantalum/Titanium/Platinum)
Flowtube material	321
Liner	Hard rubber DN20÷1000 Teflon PTFE DN10÷500 Halar ECTFE DN350÷600
Casing and flange material	standard : carbon steel (304, 321 on request)
Rustproofing	acrymetal paint
Excitation coils supply	from the transmitter
Excitation of coils isolation class	E
Protection class	standard: IP67, (IP68 on request)
Measuring principle	electromagnetic
Accessories	grounding rings

* Reference conditions according to PN-EN 29104:2003

Dimensions of control unit

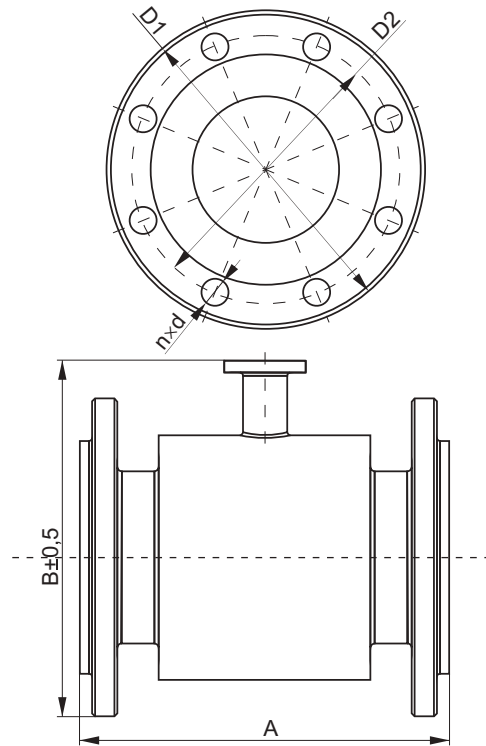


Range selection of the flowmeter applies to any flow direction



Dimensions of sensor

DN	PN	Dimensions [mm]						Weight kg	
		A	B	D1	D2	d	n		
10	16	150 or 200	153	90	60	14	4	2,5	
15			155	95	65	14	4	2,5	
20			160	105	75	14	4	3	
25			167	115	85	14	4	3,5	
32			180	140	100	18	4	5	
40			185	150	110	18	4	6	
50		200	191	165	125	18	4	7	
65			209	185	145	18	4	8	
80			224	200	160	18	8	9,5	
100		250	245	220	180	18	8	12	
125			276	250	210	18	8	15	
150		600	300	305	285	240	22	8	20
200			350	375	340	295	22	12	36
250			400	430	405	355	26	12	58
300			500	487	460	410	26	12	70
350			542	520	470	26	16	85	
400	615		580	525	30	16	100		
450	657		640	585	30	20	120		
500	750		715	650	33	20	160		
600	870		840	770	36	20	190		
700	700		927	910	840	36	24	260	
800	800	1050	1025	950	39	24	350		
900	900	1145	1125	1050	39	28	450		
1000	1000	1285	1255	1170	42	28	550		

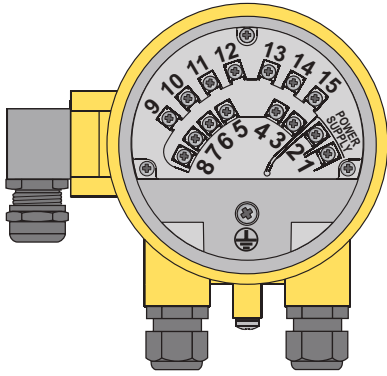


DN 10 – DN 150 A ± 5 mm
DN 200 – DN 1000 A ± 10 mm

DN	PN	Dimensions [mm]						Weight kg	
		A	B	D1	D2	d	n		
10	25	150 or 200	153	90	60	14	4	2,5	
15			155	95	65	14	4	2,5	
20			160	105	75	14	4	3	
25			167	115	85	14	4	3,5	
32			180	140	100	18	4	5	
40			185	150	110	18	4	6	
50		200	191	165	125	18	4	7	
65			209	185	145	18	4	8	
80			224	200	160	18	8	9,5	
100		250	245	235	190	22	8	12	
125			276	270	220	26	8	15	
150		600	300	305	300	250	26	8	20
200			350	375	360	310	26	12	36
250			400	430	425	370	30	12	58
300			500	487	485	430	30	16	70
350			542	555	490	33	16	85	
400	615		620	550	36	16	100		
450	657		670	600	36	20	120		
500	750		730	660	36	20	160		
600	870		845	770	39	20	190		
700	700		927	960	875	42	24	260	
800	800	1050	1085	990	48	24	350		
900	900	1145	1185	1090	48	28	450		
1000	1000	1285	1320	1210	56	28	550		

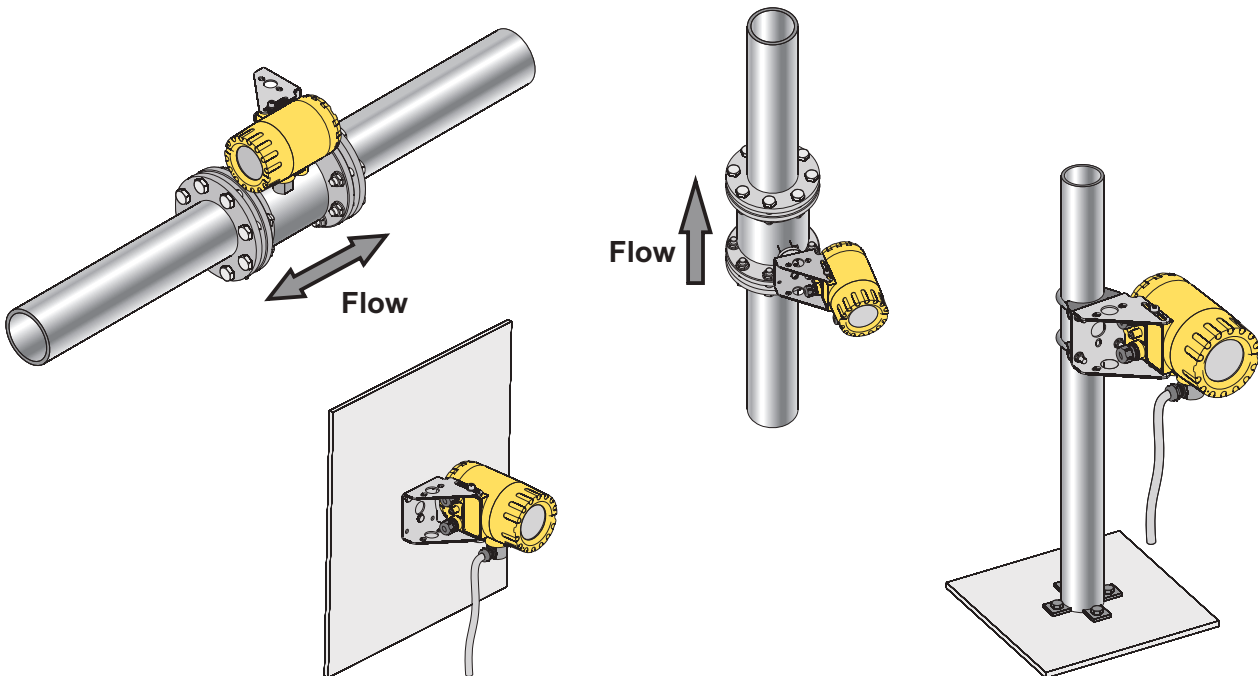
DN	PN	Dimensions [mm]						Weight kg	
		A	B	D1	D2	d	n		
10	40	150 or 200	153	90	60	14	4	2,5	
15			155	95	65	14	4	2,5	
20			160	105	75	14	4	3	
25			167	115	85	14	4	3,5	
32			180	140	100	18	4	5	
40			185	150	110	18	4	6	
50		200	191	165	125	18	4	7	
65			209	185	145	18	4	8	
80			224	200	160	18	8	9,5	
100		250	245	235	190	22	8	12	
125			276	270	220	26	8	15	
150		600	300	305	300	250	26	8	20
200			350	375	375	320	30	12	36
250			400	430	450	385	33	12	58
300			500	487	515	450	33	16	70
350			542	580	510	36	16	85	
400	615		660	585	39	16	100		
450	657		685	610	39	20	120		
500	750		755	670	42	20	160		
600	870		890	790	42	20	190		

Electrical diagrams



	Terminal	Description	
Power supply	1	90...260V AC	(-)
	2		(+)
2-state output 1	3	reverse polarity protection, galvanic insulation, passive	
	4		
Pulse/frequency output	5	reverse polarity protection, galvanic insulation, passive	
	6		
Current output 4÷20 mA	7	(+)	active (passive on request)
	8	(-)	
	9	RS 485 A	
Communication	10	RS 485 B	
	11	RS 485	
		GND / shield	
2-state input (passive)	12	reverse polarity protection, galvanic insulation	
	13		
2-state output 2	14	reverse polarity protection, galvanic insulation, passive	
	15		

Examples of installation



Ordering procedure

PEM-1000ALW / - / / / / / / /

PEM-1000NW / - / / / / / / / / L = m

Nominal diameter: DN10...1000

Pressure rating: PN16, PN25, PN40

Electrodes material: 316L, Hastelloy, Tantalum, Titanium, Platinum

Liner material: hard rubber, Teflon, ECTFE

Cable length (standard L=8m)

Special version: IP68, IP67, SS, Q_{max}, PZH

Power supply: 90...260 V AC, 10...36 V DC

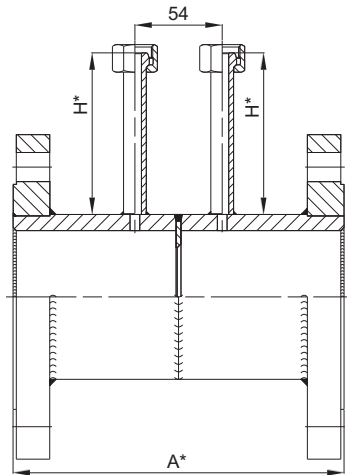
Communication: Modbus RTU/RS 485

Special versions

- IP68** – sensor protection class IP68
- IP67** – transmitter protection class IP67
- SS** – stainless steel sensor casing

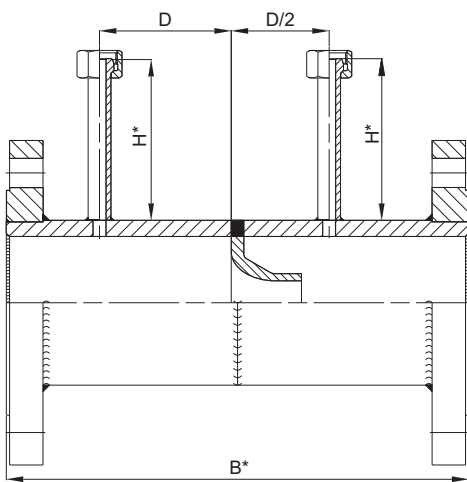
- Q_{max}** – non-standard value of Q_{max}.
- PZH** – approval for contact with potable water

Flange type of nozzle flowmeter ZPK



Technical data:

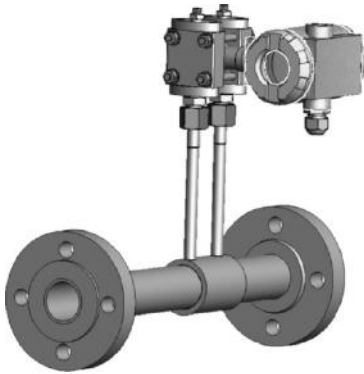
- nominal pressure PN6+PN100
- size of flowmeter DN25+DN800
- material of flow element (orifice, nozzle):
stainless steel 1.4301
- material of construction elements:
carbon steel
austenitic steel
stainless steel
- temperature up to 500°C
- material certification
- calculation acc. to PN-EN ISO 5167, ISO/TR 15377



Application:

Nozzle flowmeter is used for flow measurement of liquid medium in close pipeline.
An orifice plate installed in line creates a pressure drop. This difference of pressure is measured via impulse line by differential pressure transmitter. The relationship between the rate of flow and pressure drop is very well known and allows to easily convert measured pressure difference to flow value.
Flowmeters without correction are used for mediums with constant values of pressure and temperature.
For custody transfer measurement it's recommend to use differential pressure transmitters without SQRT characteristic and correction from changes of medium's pressure and temperature. This kind of measurement have to be calculated in dedicated flow counters.
Characteristic:

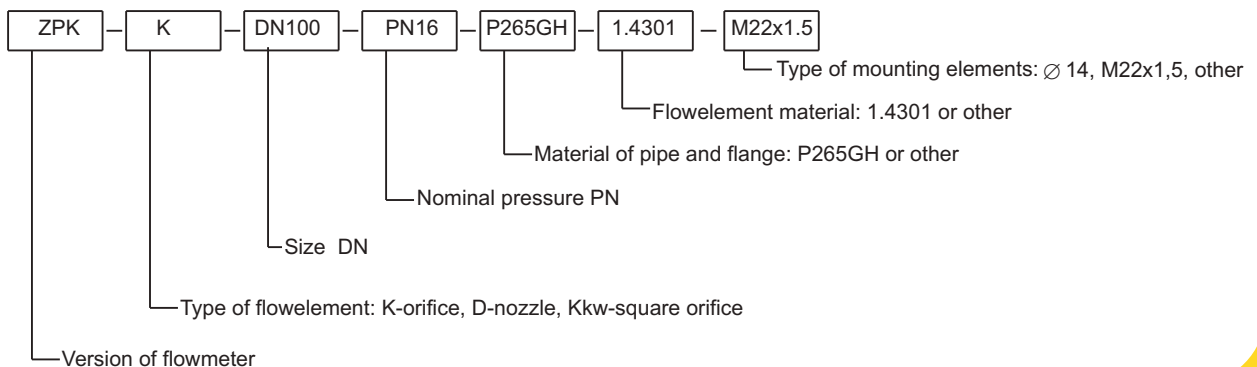
- high accuracy of measurement in wide range of flow
- resistant for aggressive media
- work in wide range of temp. and pressure



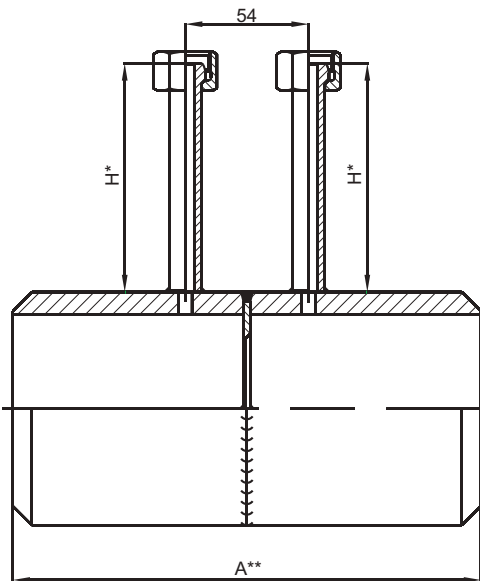
DN	25	32	40	50	65	80	100	125	150	200	250	300	350	400	500	600	800
A	150		200			250		300	350	400	500		600			800	
B	150	165	185	210	245	285	330	390	450	570	700	820	940	1060	1300	1550	2040
H	60	70	80	90	90	90	95	110	115	105	115	130	145	150	180	180	200

Version with straight sections and flanges for screwing

Ordering procedure:



Welded type of nozzle flowmeter ZPR



Technical data:

- nominal pressure PN6+PN100
- size of flowmeter DN25÷DN800
- material of flow element (orifice, nozzle): stainless steel 1.4301
- material of construction elements: carbon steel, austenitic steel, stainless steel
- temperature up to 500°C
- material certification
- calculation acc. to PN-EN ISO 5167, ISO/TR 15377

Application:

Nozzle flowmeter is used for flow measurement of liquid medium in close pipeline.

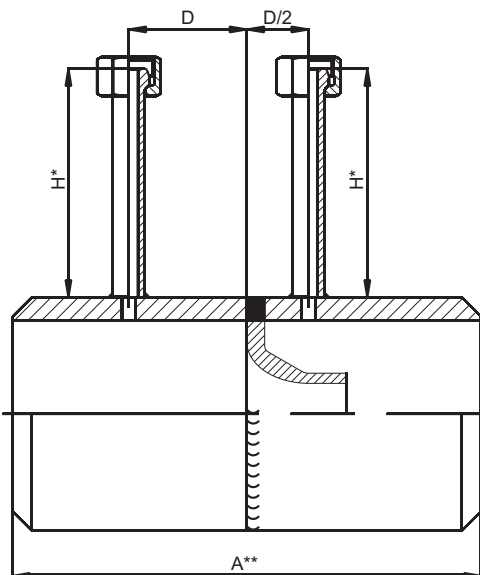
An orifice plate installed in line creates a pressure drop. This difference of pressure is measured via impulse line by differential pressure transmitter. The relationship between the rate of flow and pressure drop is very well known and allows to easily convert measured pressure difference to flow value.

Flowmeters without correction are used for mediums with constant values of pressure and temperature.

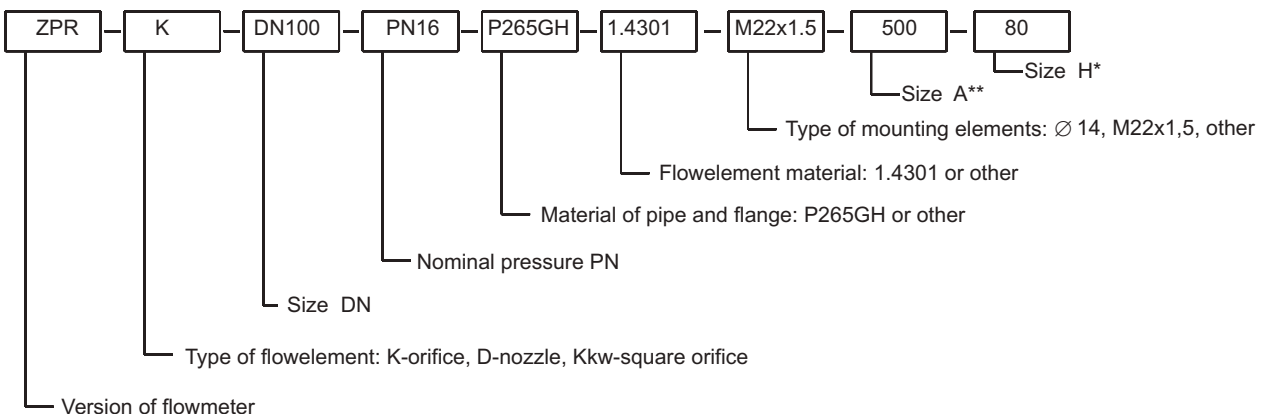
For custody transfer measurement it's recommend to use differential pressure transmitters without SQRT characteristic and correction from changes of medium's pressure and temperature. This kind of measurement have to be calculated in dedicated flow counters.

Characteristic:

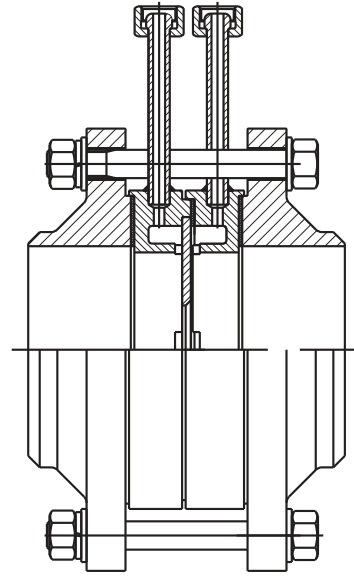
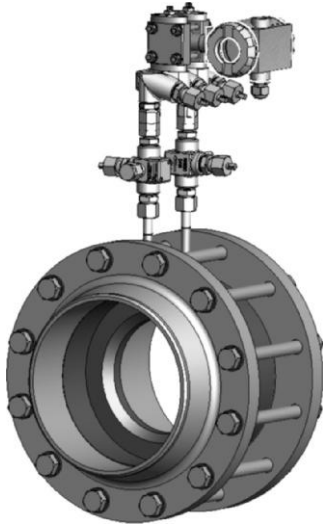
- high accuracy of measurement in wide range of flow
- resistant for aggressive media
- work in wide range of temp. and pressure



Ordering procedure:



Orifice flowmeter with assembling element ZPS



DN	angle spacing between measuring points Y							Steam PN 6, 10, 16, 25 40, 63, 100
	medium, gas							
	nominal pressure							
	PN6	PN10	PN16	PN25	PN40	PN63	PN100	
25+50	135°	135°	135°	135°	135°	135°	135°	0°, 90°, 180°
65	90°	90°	90°	90°	90°	90°	90°	
80								
100								
125	60°	60°	60°	60°	60°	60°	60°	
150								
200								
250								

Technical data:

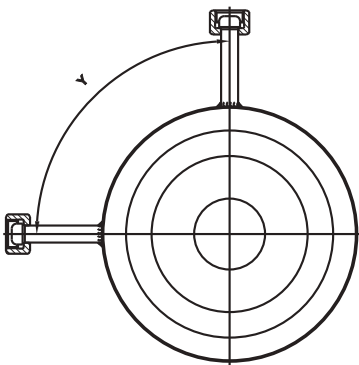
- nominal pressure PN6+PN100
- size of flowmeter DN25+DN800
- material of flow element:
stainless steel 1.4301
- material of construction elements:
carbon steel
austenic steel
stainless steel
- temperature up to 500°C
- material certification
- calculation acc. to PN-EN ISO 5167, ISO/TR 15377

Application:

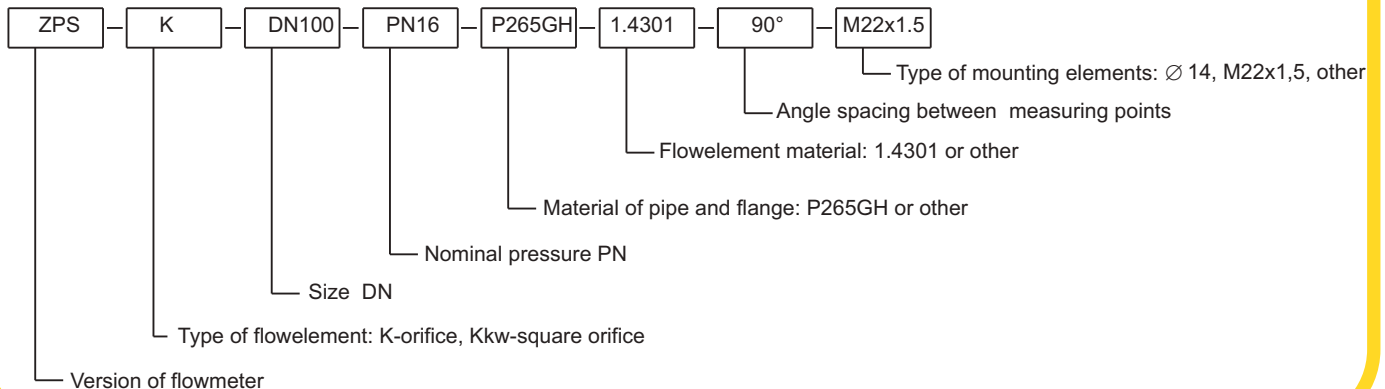
Measurement based on orifice plate with differential pressure transmitter is most widely used type of flow measurement. It can be used in flow measurement of steam, water and gases.

The biggest advantages of this solution are:

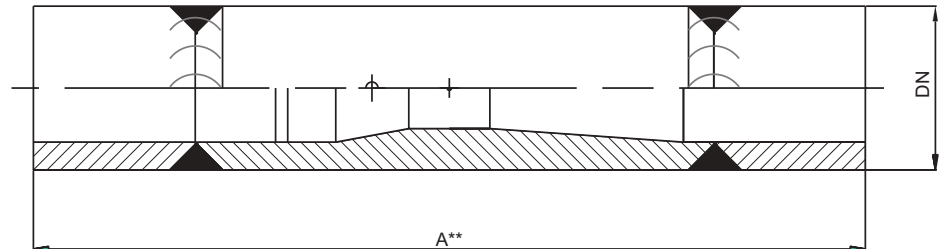
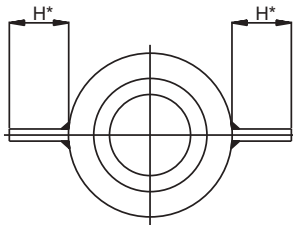
- high accuracy in wide measuring ranges
- applicable to measure flow of neutral and aggressive mediums
- easy calibration



Ordering procedure:



Venturi type flowmeter ZPV



Technical data:

- nominal pressure PN6+PN160
- size of flowmeter DN65+DN800
- material of flow element (orifice, nozzle):
stainless steel 1.4301
- material of construction elements:
carbon steel
austenitic steel
stainless steel
- temperature up to 600°C
- material certification
- calculation acc. to PN-EN ISO 5167

Application:

Venturi flowmeter is used for flow measurement of liquid medium in close pipeline. An orifice plate installed in line creates a pressure drop. This difference of pressure is measured via impulse line by differential pressure transmitter. The relationship between the rate of flow and pressure drop is very well known and allows to easily convert measured pressure difference to flow value.

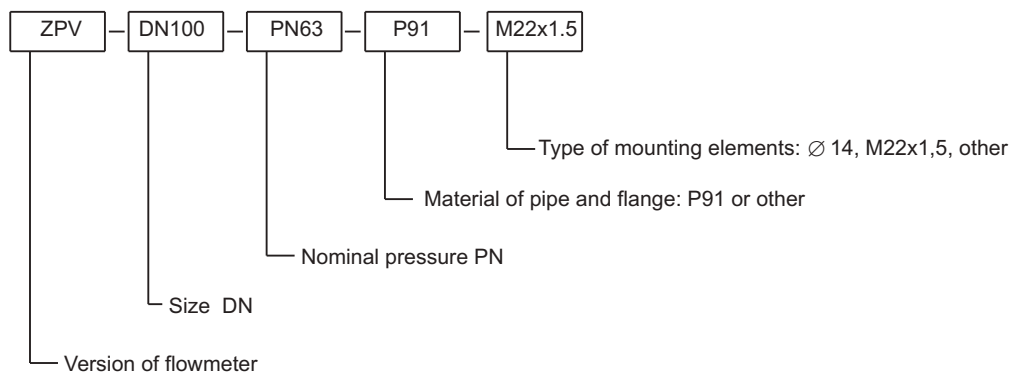
Flowmeters without correction are used for mediums with constant values of pressure and temperature.

For custody transfer measurement it's recommend to use differential pressure transmitters without SQRT characteristic and correction from changes of medium's pressure and temperature. This kind of measurement have to be calculated in dedicated flow counters.

Characteristic:

- high accuracy of measurement in wide range of flow
- resistant for aggressive media
- work in wide range of temp. and pressure

Ordering procedure:



Pitot Tube Flow Sensor Type PRP

- ✓ Long-term accuracy
- ✓ Low installation costs
- ✓ Short up/down straight pipe run requireme
- ✓ Low permanent pressure loss
- ✓ Cost effective
- ✓ Maintenance-free
- ✓ Bi-directional flow measurement

Measuring Principle

The PRP Sensor is a Pitot tube based flow Sensor which belongs to the family of primary flow Elements! These devices measures the flow in pipes and ducts by using the differential pressure principle based on the basics of Bernoulli. The flow calculation is similar the calculation according to EN ISO 5167-1. A rectangular design of the PRP sensor profile is divided diagonally into two symmetrically constructed chambers with sensing holes (dp-tappings). The chamber facing to the upstream generate a higher pressure (p+) and the chamber in the downstream a lower pressure (p-). Several dp-tappings along the sensor profile provide a steady averaging of the flow velocity. This facilitates exact metering even with irregular flow profiles. Each chamber is connected to the corresponding side of a differential pressure transmitter. The value of the differential pressure is the measure to determine the flow. With increasing flow the dp increases. A differential transmitter converts the dp into an electrical signal (i.e. 4-20mA) that is transmitted to the process control system..

Performance

Accuracy	1,0% of flow
Repeatability	± 0,1 % of actual value
Measuring relation	10:1

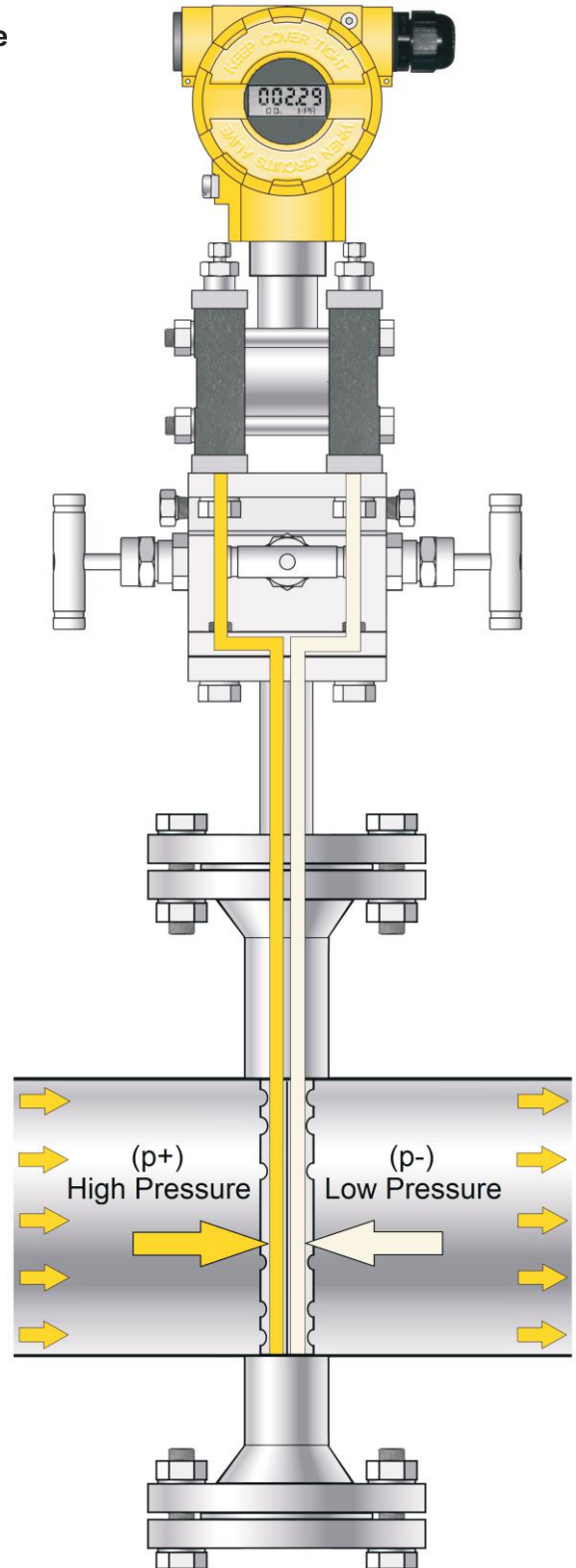


Fig. 1
PRP-F22 Sensor with flanged end support

Technical specification:

- Pipe diameters: 40 to 2500 mm
- Operating pressure: up to PN100
- Operating temperature: -50° C to +450°C
- Sensor material : Stainless steel M.-Nr. 1.4571 (316Ti)
- Differential pressure ports: ½" NPT, R ½" flange plate
- Process connection: welded coupling, flanged version (DIN, ANSI)
- End support: Pipe thread with cap, flanged version (DIN, ANSI)

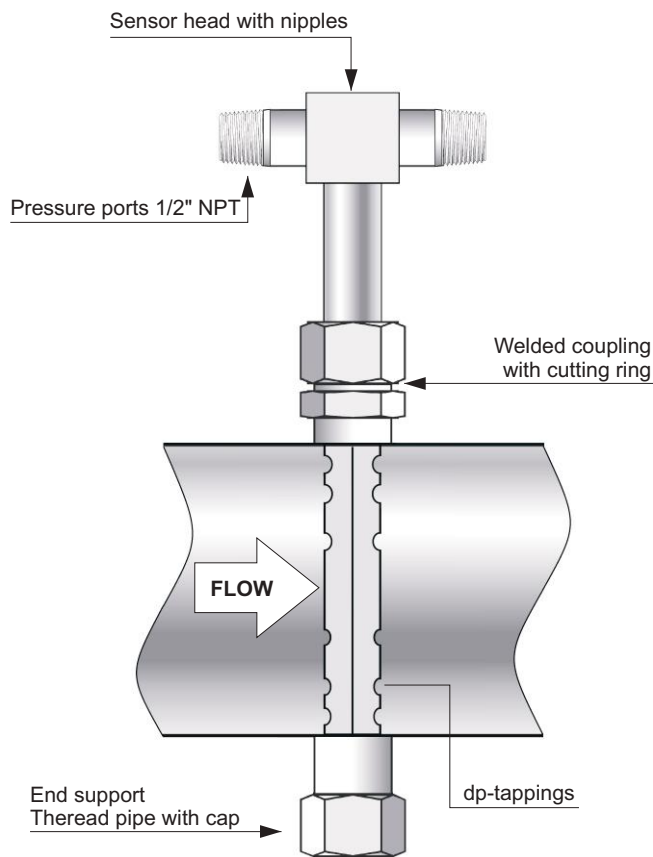


Fig. 2
PRP-M22 Sensor

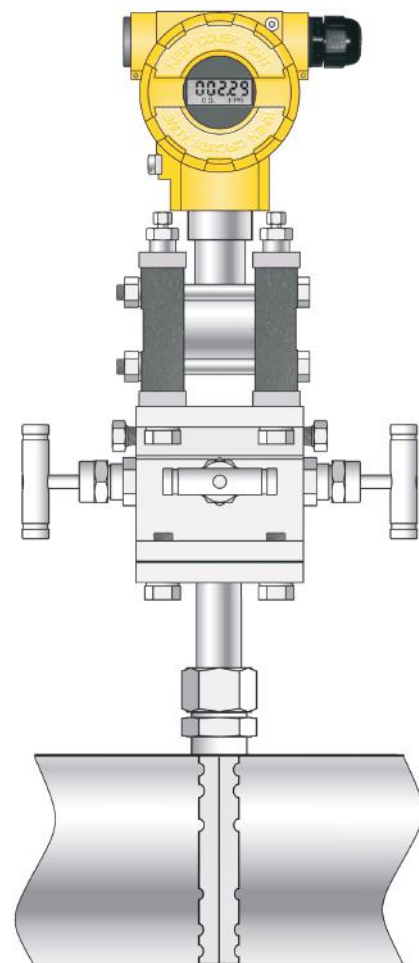
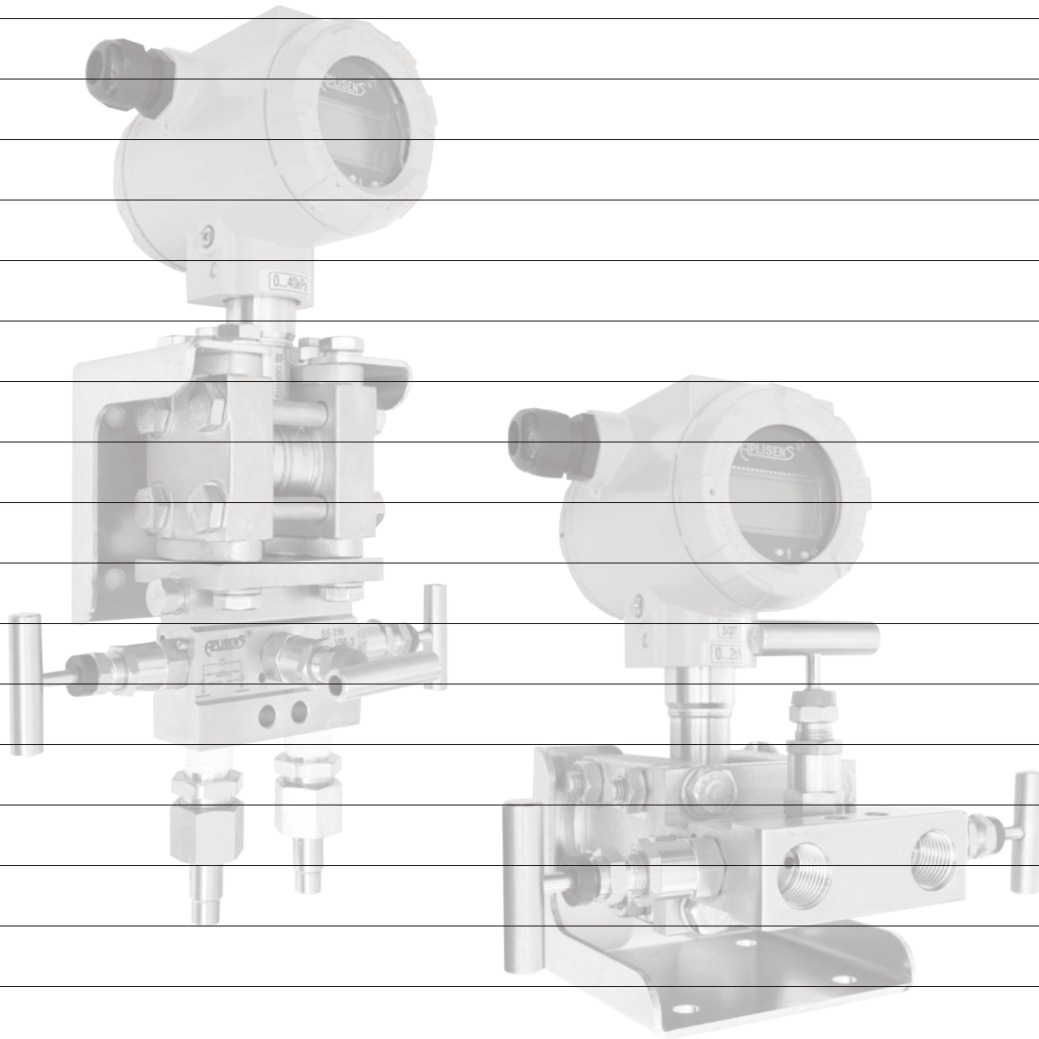


Fig. 3
PRP-M10 Sensor with flange plate
for direct transmitter mounting

**For technical offer please fulfill form available on our website.
The following information will be needed:**

- Medium
- Density
- Operating pressure
- Operating temperature
- Flowrate
- Process connection
- Pipe diameter and wall thickness
- Insulation thickness
- Pipe orientation
- Direct mount / remote mount transmitter

Notes



Chapter IX

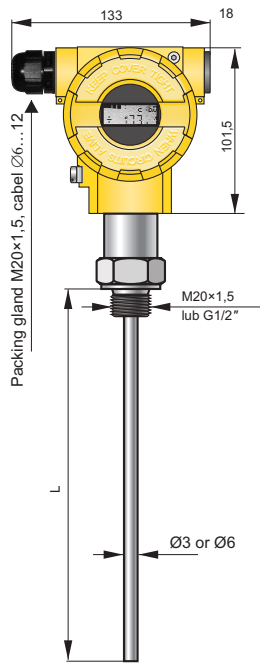
Temperature transmitters

Smart temperature transmitter APT-2000ALW	IX/ 2
Smart temperature transmitter LI-24ALW	IX/ 5
Smart temperature transmitter APT-28.....	IX /9
Temperature transmitter PT-25.....	IX /11
Smart temperature transmitters LI-24L and LI-24/Ex.....	IX/ 12
Temperature transmitter ATL	IX/ 13
Temperature transmitter LI-24G	IX/ 14
Temperature transmitter AT-2	IX/ 15
Temperature transmitter ATX-2	IX/ 16
Temperature transmitter GI-22-2, GIX-22-2.....	IX/ 17

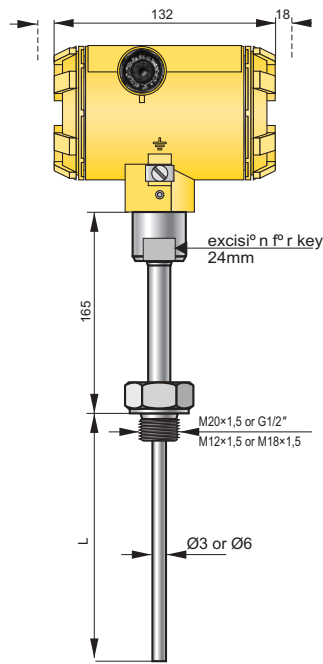
Smart temperature transmitter APT-2000ALW



- ✓ 4...20 mA output signal + HART protocol
- ✓ Programmable range, zero shift, characteristic and damping ratio with local panel keys
- ✓ ATEX Intrinsic safety , ATEX Explosion proof
- ✓ Resistant or thermocouple measuring element
- ✓ MID (Measuring Instruments Directive) – certificate acc. to 2004/22/WE directive and OIML R140:2007 recommendations.

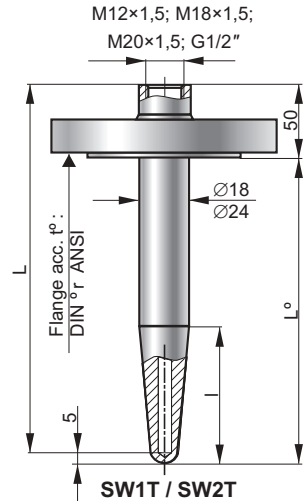
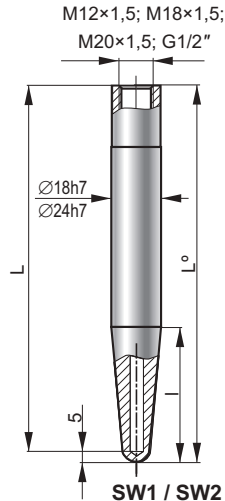
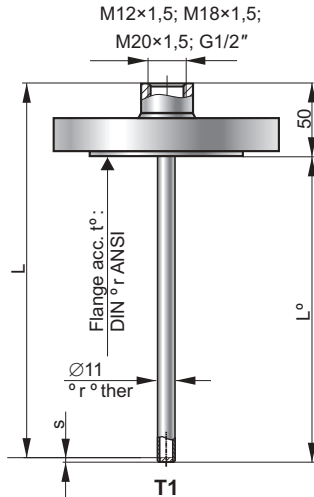
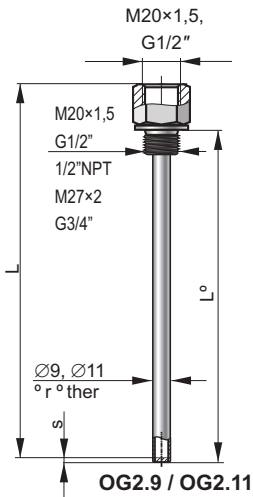


APT-2000ALW/GB



APT-2000ALW/GN

Thermowell



Technical data Metrological parameters

Error (digital value)

± (0,2 + 0,002·|t|)°C for Pt100 sensors
 ± 1,5°C for TC type K sensors and t ≤ 375°C
 ± (0,004·t)°C for TC type K sensors and t > 375°C

Additional error for analog output ±0,04%·z

where:

|t| – absolute value of the measured temperature °C

t – value of the measured temperature °C

z – transmitter setting range °C

Measuring range

Sensor type	Min set range	Nominal range
Pt100	10°C	-200...550°C*
K	10°C	-40...550°C

* for GB version -50...150°C

Electrical parameters

Power supply 12...55 V DC (Ex 13,5...28 V)

Additional voltage drop

when display illumination switched on 3 V

Output signal 4...20 mA + Hart protocol

Resistance required for communication (HART)

min. 240Ω

Load resistance

$$R[\Omega] = \frac{U_{ZAS}[V] - 12V}{0,0225A}$$

* – 15 V when display illumination switched on

Operating conditions

Ambient temperature -40...85°C
 for version with Ex ia -40...80°C
 for version with Ex d -40...75°C

Min. immersion length L=100mm

Materials

Casing Aluminium,
316Lss- special version
Sensor material 321ss
Thermowell according to table page.

Communication and configuration

The communication standard for data interchange with the transmitter is the Hart protocol.

Communication with the transmitter is carried out with:

- a KAP-03, KAP-03Ex communication,
- some other Hart type communications,
- a PC using an HART/USB converter and Raport 2 configuration software.

The data interchange with the transmitter enables the users to:

- identify the transmitter;
- configure the output parameters;
- read the currently measured temperature value of the output current and the percentage output current level;
- force an output current with a set value;
- calibrate the transmitter in relation to a measured temperature.

Standard thermowell data

Thermowell type	Standard dimensions of thermowell						Thermowell material	Available process connection	
	Ø[mm]		L[mm]		l[mm]				
OG2.9	9x1		100, 160, 250, 400		-		316Lss	M20x1,5, M27x1 G1/2", G3/4", 1/2"NPT	
OG2.11	11x2		100, 160, 250, 400		-		316Lss	M20x1,5, M27x1 G1/2", G3/4", 1/2"NPT	
T1	11x2		100, 160, 250, 400		-		316Lss	Flange according to DIN and ANSI	
SW1	SW2	18h7	24h7	100 140 200	140 200	35 65 65	65 65	15HM, 10H2M 316Lss	-
SW1T	SW2T	18h7	24h7	100 140 200	140 200	35 65 65	65 65	15HM, 10H2M 316Lss	Flange according to DIN and ANSI
SW1G	SW2G	18h7	24h7	100 140 200	140 200	35 65 65	65 65	15HM, 10H2M 316Lss	M20x1,5, G1/2" M27x1,5, G3/4"

Ordering procedure

APT-2000ALW/___/___/___/___/ L = mm /___/___ ÷ ___ °C/___/___

Special versio n:

Exia - ATEX certificate

⊕ II 1/2G Ex ia IIC T4/T5/T6 Ga/Gb

Exia(Da) - ATEX certificate

⊕ II 1/2G Ex ia IIC T4/T5/T6 Ga/Gb
II 1D Ex ia IIC T105°C Da
I M1 Ex ia I Ma (versio n with SS h° using)

Exd - ATEX certificate

⊕ II 1/2G Ex ia/d IIC T* Ga/Gb
II 1/2D Ex ia/t IIIC T* Da/Db
I M2 Exd ia I Mb (versio n with SS h° using)
T* - temperature class transmitter (P r gas)
° r maximum surface teperature (P r dust)

SS - H° using material 316SS

IP67, IP66/67

Versio n: **GB, GN**

Therm° well type: acc° rding t° table

Type ° f thread ° f flange c° nnectio n:

M20x1,5; G1/2"; M27x2; G1" or flange

Immersio n length

Type ° f measuring element: **Pt100, K**

Set measuring range

Alarm signal: 3,8 ° r 23 mA

Elcctrical c° nnectio n: **without marking** (M20x1,5) ° r **US** (1/2"NPTF)

SMART TEMPERATURE TRANSMITTER APT-2000ALW with MID

Application

Smart temperature transmitters APT-2000ALW MID is applicable to the measurement of the temperature in applicatio n designed according to directive 2004/22/WE (MID), harmonized standard PN-EN12405-1:2005 + A2:2010 and recommended OIML R140:2007. Device subcompon ent suitable for custody transfer measurement of gas with MID approval. Mechanical construction and installation of the transmitter enclosure shall comply with the transmitter APT-2000ALW are described on page IX/ 2, IX/ 3 of catalogue. Transmitter due to factory blockade of transmitter's configuration cannot be configurable by user. Electrical connection of the transmitter is according to drawing on page IX/ 3. Available are only terminals SIGNAL + and SIGNAL -. Temperature transmitter APT-2000ALW MID are produced with GB type of sensor and with resistant sensor Pt100. Note! For custody transfer applications, the cover clamp screws have to be locked with seal wire.

Metrological parameters

Max. permissible error according to EN12405-1 (calculated in relation to the measured value)

- in reference conditions	
20±3°C(±1 during the measurement)	≤ 0,1%
- minimal operating conditions	< 0,2%
special version	< 0,1%
Long-term stability	< 0,2% / 5 years
Operating temperature range	-25...55°C
Immersion length	150...290mm
Power supply	Exia: 13,5...28VDC Exd: 13,5...45VDC

MID Parts Certificate No. 28/12

Exia: ⊕ II 1/2G Ex ia IIC T4/T5/T6 Ga/Gb

Exd: ⊕ II 1/2G Ex ia/d IIC T* Ga

Measuring range

Measuring range: -20...60°C

Ordering procedure

APT-2000ALW/MID/___/___/ L = mm

Special versio n:

Exia - Intrinsic safety versio n (ATEX)

Exd - Expl° di° n pr° ° f versio n (ATEX)

SS - H° using material 316SS

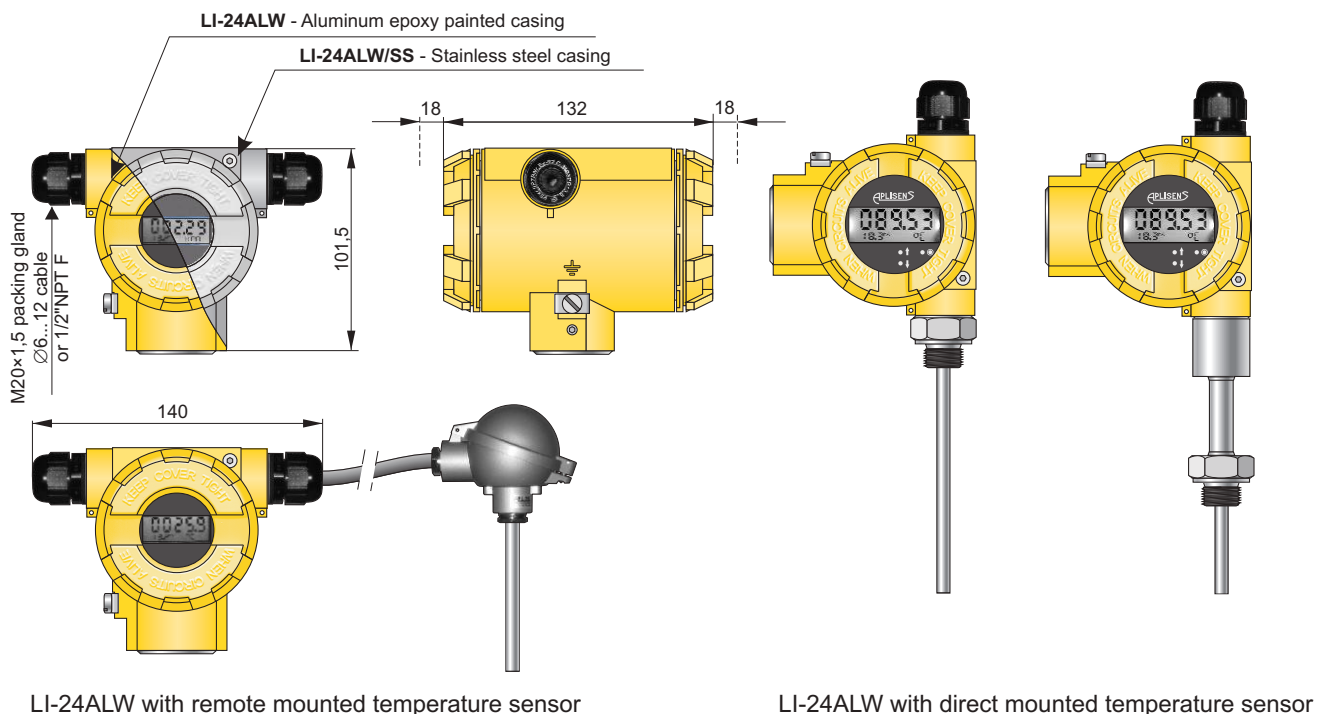
Process connection type: **M20x1,5 , G1/2"**

Immersio n length

Smart temperature transmitter LI-24ALW



- ✓ Output signal 4...20mA with Hart protocol
- ✓ Galvanic insulation (In, Out)
- ✓ Programmable sensor type
- ✓ Programmable measuring range
- ✓ Thermoresistance line compensation
- ✓ Compensation of thermocouple cold junction
- ✓ Autodiagnostic system
- ✓ Intrinsic safety certificate (ATEX, IECEx)
- ✓ Explosion proof certificate (ATEX, IECEx)



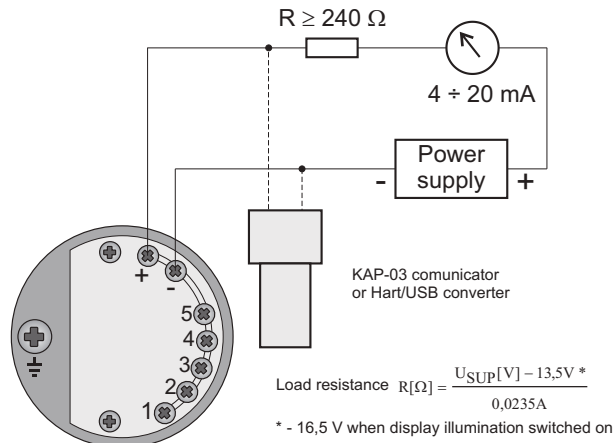
Application and function

The temperature transmitter LI-24ALW is applicable to converting resistance of temperature or voltage of thermocouple sensor to standard current signal 4-20mA. The transmitter has two separate channels enabling measurement of temperature difference, average, average with redundancy, max. or min. temperature. Transmitter has compensation of ambient temperature influence and compensation of thermocouple cold junction using internal/external (Pt100) sensor or constant temperature. Most of parameters such as: sensor type, measuring range, current alarm signal when electric circuit is broken, output characteristic correction, user characteristic (60 points) are programmed using PC with HART/USB converter and Aplisens RAPORT 2 configuration software. For request Aplisens can set temperature transmitter parameters like measuring range, type of sensor. Their values are printed on label. Transmitter LI-24/ALW is designed for field use. LI-24ALW can be used with temperature sensors mounted directly in transmitter's casing or with external sensors connected with cable.

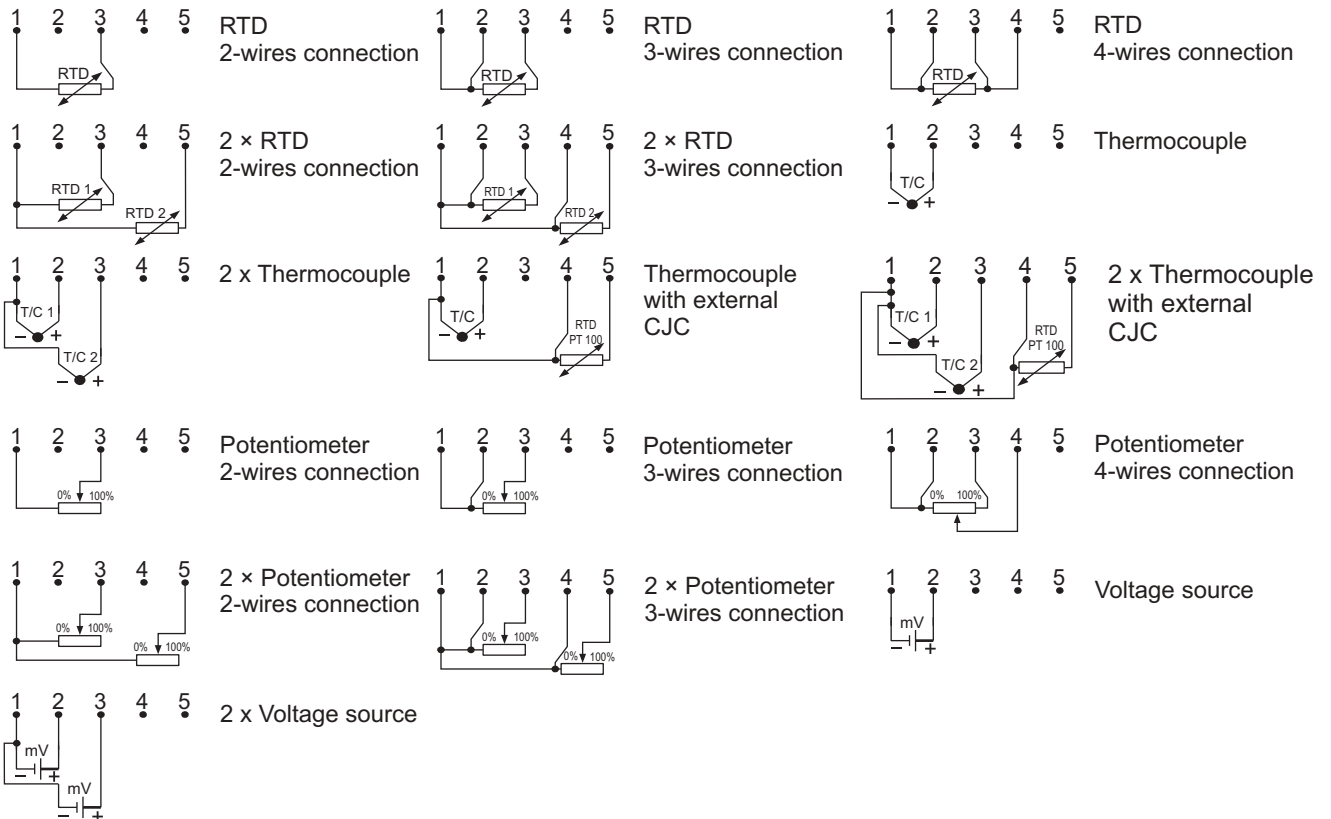
Technical data

Input signal	K, J, S, B, N, T, R, E, voltage Pt100, Ni100 resistance
Limit process	-10mV < E < 100mV or -100mV < E < 1000mV 0Ω < R < 400Ω or 0Ω < R < 2000Ω
Min. measuring range	10mV or 10Ω or 10K
Output signal	4 - 20 mA + Hart
Power supply	13,5...55 VDC (Ex 13,5..30 VDC) when display illumination switched on 16,5...55 VDC (Ex 16,5..30 VDC)
Max. wires resistance	500Ω
Alarm signal	3,75mA / 21,5mA (NORMAL) or 3,6 mA / 21 mA (NAMUR NE89) or setting by user
Sensor current	0,42mA
Galvanic insulation	Optoelectrical
Accuracy	acc. to below table
Time constant	0,3s
Additional electronic damping	0..30s
Ambient temperature	-40...+80°C (Ex -40...+75°C)

Electrical diagrams



Electrical diagrams



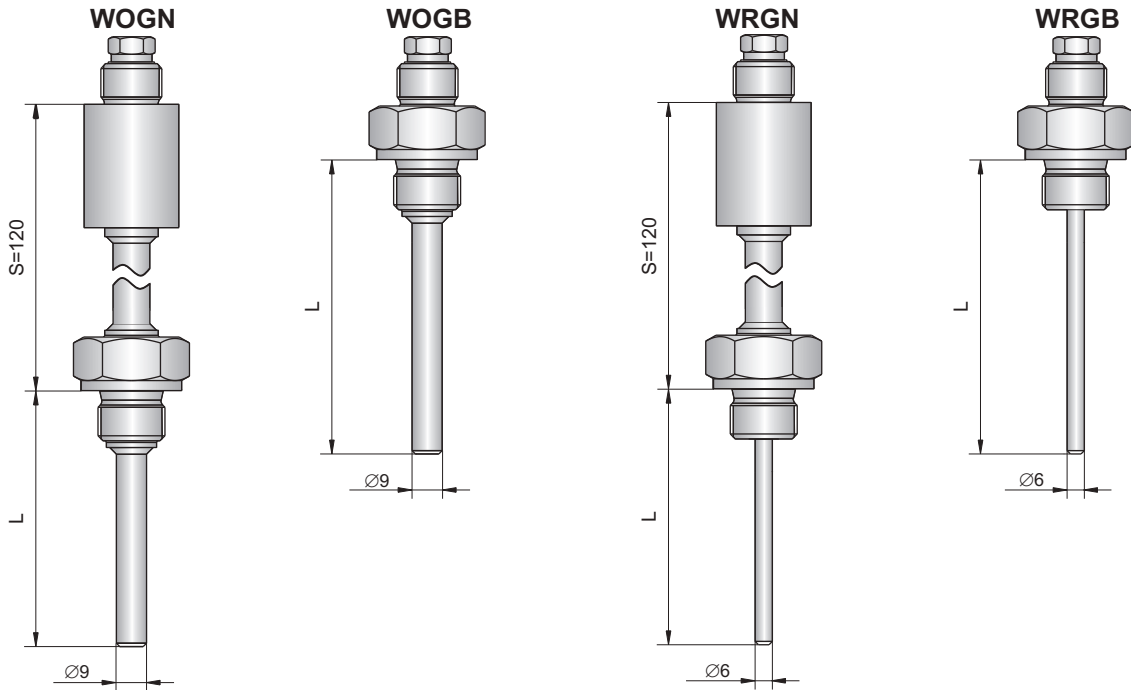
Type of input signals and metrological parameters

RTD sensor connected with 2, 3 or 4 wires						
Input – RTD						
Thermal resistance sensors		2, 3 or 4 wires connection				
Sensor current		~420uA				
Maximum wires resistance		25Ω				
Minimum range		10 °C				
Sensor type	Standard	Basic range	Min. range span	Processing error Δp	Temperature processing error Δtp	Analogue output error
		°C	°C	K	K/K	%
1	2	3	4	5	6	7
Pt10 (α=0.003850)	EN 60751+A2, IEC751, DIN43760, JISC 1604-97, BS 1904	-200÷850	10	±0.8	±0.035	Analogue output error is 0.05% FSO (Full Scale Output) over the operating temperature range.
Pt50 (α=0.003850)		-200÷850	10	±0.2	±0.0070	
Pt100 (α=0.003850)		-200÷850	10	±0.07	±0.0035	
Pt200 (α=0.003850)		-200÷850	10	±0.2	±0.0020	
Pt500 (α=0.003850)		-200÷850	10	±0.05	±0.0007	
Pt1000 (α=0.003850)		-200÷266	10	±0.03	±0.0003	
Pt 98 (α=0.003923)	SAMA RC-4-1966	-200÷650	10	±0.07	±0.0035	
Ni100 (W100=1.617)	PN-83/M-53952	-60 ÷ 180	10	±0.07	±0.0030	
Cu100 (W100=1.426)		-50 ÷ 180	10	±0.07	±0.0030	
Pt10 (α=0.003916)	JIS C1604-81	-200÷630	10	±0.8	±0.035	
Pt50 (α=0.003916)		-200÷630	10	±0.2	±0.0070	
Pt100 (α=0.003916)		-200÷630	10	±0.07	±0.0035	
Pt10 (W100=1.3910)	GOST 6651-94	-200÷1100	10	±0.8	±0.035	
Pt50 (W100=1.3910)		-200÷1100	10	±0.2	±0.0070	
Pt100 (W100=1.3910)		-200÷1100	10	±0.07	±0.0035	
Pt500 (W100=1.3910)		-200÷1100	10	±0.05	±0.00070	
Cu50 (W100=1.426)		-50 ÷ 200	10	±0.2	±0.0070	
Cu100 (W100=1.426)		-50 ÷ 200	10	±0.07	±0.0030	
Cu50 (W100=1.428)		-185 ÷ 200	10	±0.2	±0.0070	
Cu100 (W100=1.428)		-185 ÷ 200	10	±0.07	±0.0030	
Ni100 (W100=1.617)		-60 ÷ 180	10	±0.07	±0.0030	
Resistance (resistor, potentiometer)						
		Ω	Ω	mΩ	mΩ/K	As above
Measuring range No.1		0...400	10	±30	±2	
Measuring range No.2		0...2000	10	±120	±2	
1	2	3	4	5	6	7

Thermocouples						
Input – Thermocouples						
Input impedance		>10MΩ				
Maximum wires resistance		500Ω (wires + thermocouple)				
Cold junctions compensation		internal sensor, external sensor Pt100				
Minimum range		temperature constant of the cold junctions 50 °C				
Sensor type	Standard	Basic range	Min. range span	Processing error Δp	Temperature processing error Δtp	Analogue output error
		°C	°C	K	K/K	%
1	2	3	4	5	6	7
B (Pt30Rh-Pt6Rh)	EN 60751+A2, IEC584, NIST MN175, DIN43710, BS4937, ANSI MC96.1, JIS C1602, NF C42-321	250 ÷ 1820	10	±0.55	<±0.001	Analogue output error is 0.05% FSO (Full Scale Output) over the operating temperature range.
E (Ni10Cr-Cu45Ni)		-200 ÷ 1000	10	±0.15	<±0.001	
J (Fe-Cu45Ni)		-210 ÷ 1200	10	±0.20	<±0.001	
K (Ni10Cr-Ni5)		-200 ÷ 1372	10	±0.30	<±0.001	
N(Ni14CrSi-NiSi)		-200 ÷ 1300	10	±0.25	<±0.001	
R(Pt13Rh-Pt)		-20 ÷ 1768.1	10	±0.35	<±0.001	
S(Pt10Rh-Pt)		-30 ÷ 1768.1	10	±0.40	<±0.001	
T(Cu-Cu45Ni)		-200 ÷ 400	10	±0.15	<±0.001	
TC Type L	EN 60751+A2, GOST P 8.585-2001	-200 ÷ 800	10	±0.20	<±0.001	

Voltage						
		mV	mV	μV	μV/K	As above
Measuring range No.1		-10...100	10	±6	<±0.06	
Measuring range No.2		-100...1000	10	±50	<±0.5	
1	2	3	4	5	6	7

Direct mounted sensors



Sensor type	Standard dimensions of sensor			Sensor material	Available process connection
	Ø[mm]	L[mm]	S[mm]		
WOGN	9	100, 160, 250, 400	120	304ss, 316Lss	M20x1,5 , G $\frac{1}{2}$ " , G $\frac{3}{4}$ " , $\frac{1}{2}$ "NPT
WOGB	9	100, 160, 250, 400	-	304ss, 316Lss	M20x1,5 , G $\frac{1}{2}$ " , G $\frac{3}{4}$ " , $\frac{1}{2}$ "NPT
WRGN	6	100, 160, 250, 400	120	304ss, 316Lss	M20x1,5 , G $\frac{1}{2}$ " , G $\frac{3}{4}$ " , $\frac{1}{2}$ "NPT
WRGB	6	100, 160, 250, 400	-	304ss, 316Lss	M20x1,5 , G $\frac{1}{2}$ " , G $\frac{3}{4}$ " , $\frac{1}{2}$ "NPT

WOGN, WOGB - welded sensors; WRGN, WRGB - spring-loaded sensors (to use with additional thermowell)

Ordering code

LI-24ALW / / / ÷ °C / /

Version:

Exia – Intrinsic safety certificate (ATEX, IECEx)

1) II 1/2G Ex ia IIC T4/T5/T6 Ga/Gb
 IECEx Ex ia IIC T4/T5/T6 Ga/Gb
 2) II 2(1)G Ex ia [ia Ga] IIC T4/T5/T6 Ga/Gb
 IECEx Ex ia [ia Ga] IIC T4/T5/T6 Ga/Gb

Exia(Da) – Intrinsic safety certificate (ATEX, IECEx)

1) II 1/2G Ex ia IIC T4/T5/T6 Ga/Gb
 II 1D Ex ia IIIC T105°C Da
 I M1 Ex ia I Ma (with SS enclosure)
 Ex ia IIC T4/T5/T6 Ga/Gb
 IECEx Ex ia IIIC T105°C Da
 Ex ia I Ma (with SS enclosure)
 2) II 2(1)G Ex ia [ia Ga] IIC T4/T5/T6 Ga/Gb
 II 1D Ex ia IIIC T105°C Da
 I M1 Ex ia I Ma (with SS enclosure)
 Ex ia [ia Ga] IIC T4/T5/T6 Ga/Gb
 IECEx Ex ia IIIC T105°C Da
 Ex ia I Ma (with SS enclosure)

Exd – Explosion proof certificate (ATEX, IECEx)

1) II 2G Ex d IIC T* Gb
 II 2D Ex t IIIC T* Db
 I M2 Ex d I Mb (with SS enclosure)
 Ex d IIC T* Gb
 IECEx Ex t IIIC T* Db
 Ex d I Mb (with SS enclosure)
 2) II 2(1)G Ex d [ia Ga] IIC T4/T5/T6 Gb
 II 2(1)D Ex t [ia Da] IIIC T105°C Db
 I M2 Ex d [ia Ma] I Mb (with SS enclosure)
 Ex d [ia Ga] IIC T4/T5/T6 Gb
 IECEx Ex d [ia Da] IIIC T105°C Db
 Ex t [ia Ma] I Mb (with SS enclosure)

1) transmitter with sensor mounted in casing 2) transmitter without sensor or with cable sensor

IP67 – protection class IP67

SS – housing material SS316

US – electrical and sensor connection 1/2"NPT F

Sensor type (optionally):
 Direct: **WOGN, WOGB, WRGN, WRGB**
 (According to below ordering code)
 Remote: According to **Chapter X**

Settings (optionally):
 Type of measuring element,
 measuring range, alarm signal

WOGN/Exia/L=400mm/S=120mm/G1/2"/Pt100-A-2/316Lss/1/2"NPT

Type of sensor

Version: Standard, Exia, Exd

Dimensions L and S [mm]

Process connection

Connection thread between sensor and transmitter

Sensor material

Type of measuring element

NEW

Smart temperature transmitter type APT-28

- ✓ Programmable measuring range
- ✓ Output signal 4 ÷ 20 mA
- ✓ Stainless steel casing

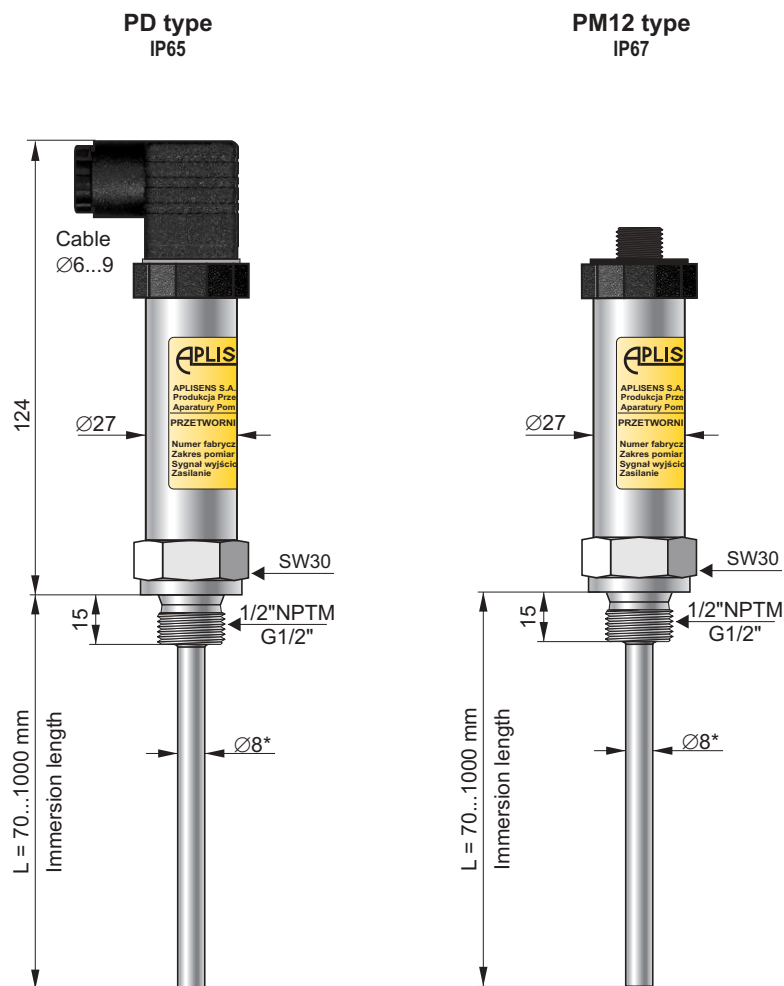
Application and construction

Smart temperature transmitter type APT-28 is designed for temperature measurement in range from -50 to +80°C (up to +140°C in special version). Resistance signal from RTD element is converted to standard 4...20mA output signal. Casing of transmitter is made in stainless steel. Standard electrical connection is DIN EN 175301-803 connector with ingress protection class IP 65.

Configuration

Transmitter is delivered with measuring range according to customer's order, however it can be change by user. For configuration user will need: PC computer, RS converter, APT-28 converter and AT software. Beside changes of measuring range customer will be able to proceed calibration of the transmitter and make correction of output characteristic. Configuration is available only in transmitters with PD and ALW electrical connection.

Electrical connections



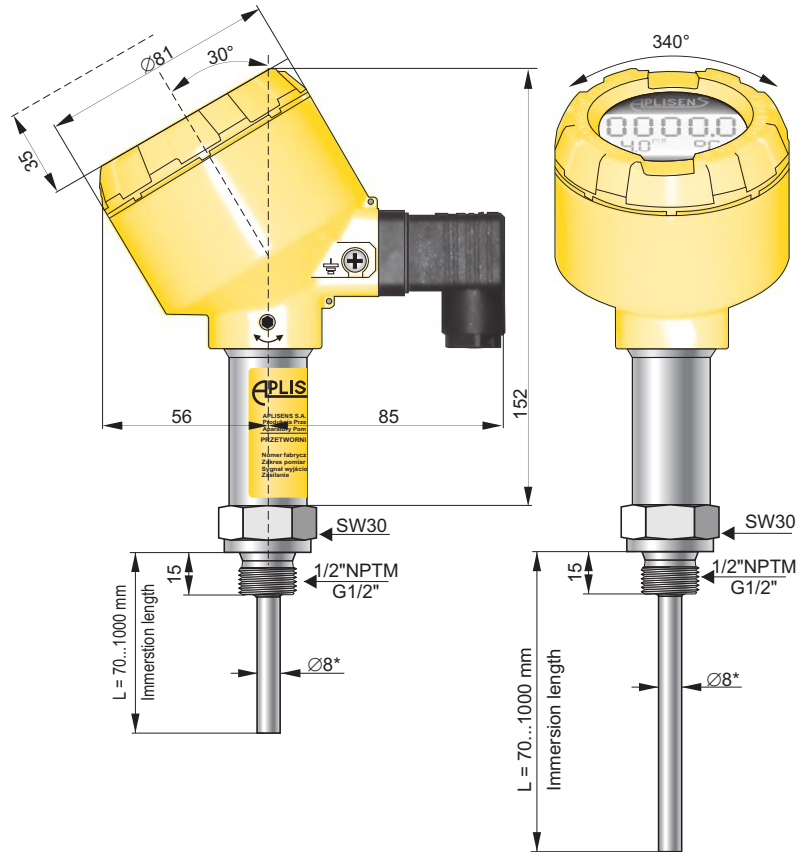
* - other diameters on request

Electrical connection type ALW

Aluminum casing with programable local display. The design of the casing enables the use of a local display, rotation of the display, rotation of the casing by 0–340° relative to the sensor.

Electrical connection DIN EN 175301-803, IP65.

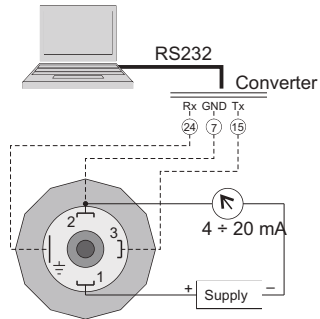
Display with backlight allows to read:
 - measured temperature in user units or % of measuring range
 - current in output loop in mA



Technical data

Measuring range	-50...+80°C
Minimal width of measuring range	30°C
Transmitter accuracy	±0,16%
Sensor accuracy	±(0,15 + 0,002 · t)°C
	t – absolute value of the measured temperature °C
Error due to ambient temp. changes	0,1% / 10°C
Error due to supply voltage changes	0,1%
Output signal	4 ÷ 20 mA, 2-wires
Power supply U_{zas}	7...29 V DC
APT-28/ALW	10...29 V DC
Additional voltage drop when backlight is on	3V
Load resistance	$R[\Omega] \leq \frac{U_{zas}[V] - 7V}{0,023A}$
Alarm signal	3,8 mA or 23 mA factory setting: 23 mA
Ambient temperature	-25...+80°C
Materials:	sensor shield and process connection ss321 casing ss304
Ingres protection class	PD – IP65, PM12 – IP67

Electrical diagrams



Ordering procedure

APT-28/___/L = ... mm/___/___/___ ÷ °C/___

Electrical connection: **PD** (connector DIN EN 175301-803)
PM12 (connector M12x1)
ALW (with display)

Immersion length: **L=...mm**

Diameter of sensor: **8 mm** (other on request)

Connection thread: **G1/2", 1/2"NPT, M20x1,5**

Measuring range

Alarm signal: **3,8 or 23 mA**

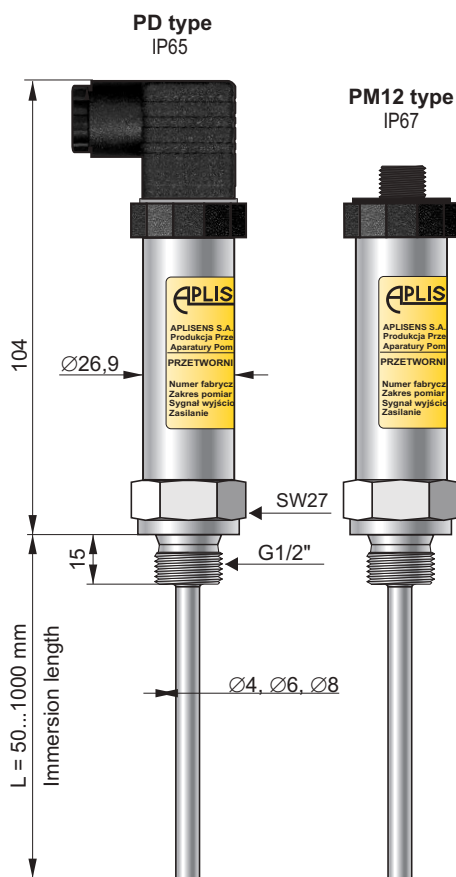
NEW

Temperature transmitter type PT-25

- ✓ Output signal 4 ÷ 20mA
- ✓ Stainless steel casing and wetted parts
- ✓ Factory configured

Application and construction

Temperature transmitter type PT-25 is designed for temperature measurement of liquid and gaseous media in range from -40 to +200°C. Resistance signal from RTD element is converted to standard 4...20mA output signal. Casing of transmitter and wetted parts are made in stainless steel. Transmitter is manufactured in two versions: with removable measuring insert and not removable measuring insert which has additional protection against vibrations. Available electrical connections are angular connector DIN EN 175301-803 or connector M12x1.



Technical data

Output signal	4...20mA
Measuring range	acc. to request from range -40...200°C
Minimum span	25K
Accuracy	± 1%
Power supply	8...35 V DC
Alarm signal	<3,1mA or >26,1mA
Wetted parts material	316L
Sensor diameter	Ø4, Ø6, Ø8mm
Process connection	G1/2", other on request
Immersion length	50...1000mm
Extension neck	on request
Ingress protection	PD - IP65, PM12 - IP67

Ordering procedure

PT-25/___/L = ... mm/___/___/___/___ ÷ °C/___

Electrical connection: **PD** (connector DIN EN 175301-803)
PM12 (connector M12x1)

Immersion length: **L=...mm** (standard: 50, 100, 150, 200, 250 mm
other length on request)

Diameter of sensor: **4, 6, 8 mm**

Connection thread: **G1/2"**, other on request

Measuring range

Alarm signal: **3,1 or 26,1 mA**

Measuring insert: **R** - removable, **NR** - not removable

Rail-mounted smart temperature transmitters type LI-24L and LI-24/Ex



LI-24L

LI-24/Ex

- ✓ Galvanic insulation (In, out)
- ✓ Programmable sensor type
- ✓ Programmable measuring range
- ✓ Thermoresistance line compensation
- ✓ Compensation of thermocouple cold junction
- ✓ Output signal 4...20mA + Hart protocol
- ✓ Ambient temperature from -25 to +75 °C
- ✓ Rail mounting system.
- ✓ Autodiagnostic system
- ✓ Hart protocol
- ✓ ATEX certificate (LI-24/Ex) Ex II 1G Ex ia IIC T4/T5 Ga
I M1 Ex ia I Ma



Technical data

Input signal	K, J, S, B, N, T, R, E voltage Pt10, Pt50, Pt100, Pt200, Pt500, Pt1000, Ni100, Cu100, resistance
Limit process	- 10mV < E < 100mV or -100mV < E < 1000mV 0Ω < R < 400Ω or 0Ω < R < 2000Ω
Min. measuring range	10mV or 10Ω
Output signal	4...20mA + HART
Power supply	LI-24L: 8,5...50V DC LI-24/Ex 14...30V DC
Max. Wires resistance	500Ω
Alarm signal	21,5mA or 3,75 mA or setting by user
Sensor current	0,42mA
Accuracy	± 0,1%
Time constant	0,3s - 1,2s
Additional electronic damping	0...30s
Ambient temperature	-25...+75°C
Dimensions (WxHD)	LI-24L: 12,5mmx99mmx114,5mm LI-24/Ex: 27,5mmx80mmx106,7mm

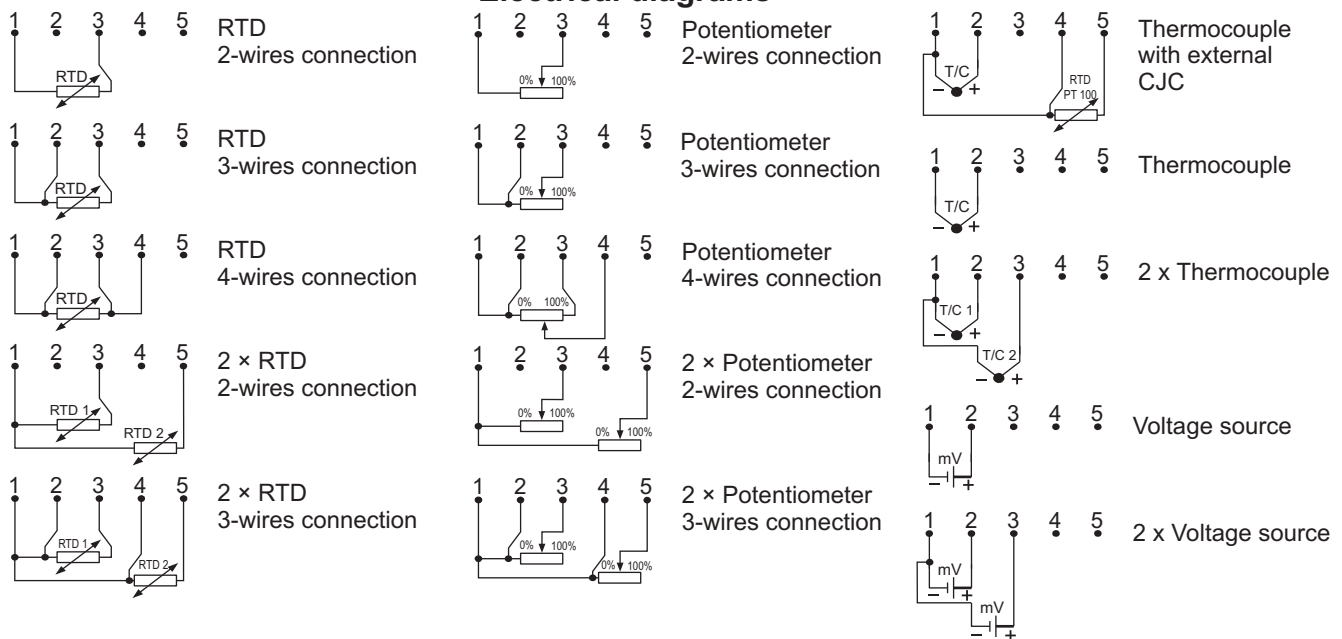
Application and function

The temperature transmitter LI-24L and LI-24/Ex are applicable to converting resistance of temperature or voltage of thermocouple sensor to standard current signal 4-20mA. The transmitters have two separate measuring channels enabling measurement of temperature difference, average, average with redundancy, max or min temperature. Transmitter has compensation of ambient temperature influence and compensation of thermocouple cold junction using internal/external (Pt100) sensor or constant temperature.

Most of parameters such as: sensor type, measuring range, current alarm signal when electric circuit is broken, output characteristic correction, user characteristic (60 points) are programmed using PC with HART/USB converter and Raport 2 configuration software.

For request Aplisens can set temperature transmitter parameters like measuring range, type of sensor. Their values are printed on label. Transmitter for rail mounting (TS-35).

Electrical diagrams



LI-24L / _ / _ / _ / _

LI-24/ Ex / _ / _ / _ / _

Version: SIL2 or none
Sensor type
Measuring range
Alarm signal

Sensor type
Measuring range
Alarm signal

Rail-mounted temperature transmitter type ATL

- ✓ Programmable sensor type PT100 i Ni100
- ✓ Programmable measuring range.
- ✓ Thermoresistance line compensation (3 wires line)
- ✓ Output signal 4...20mA
- ✓ Rail- mounting system.



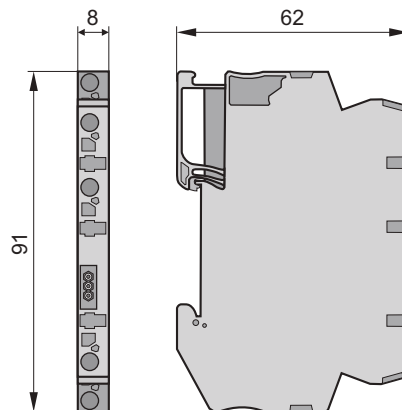
Application and function

The temperature economical transmitter ATL is applicable to converting resistance of temperature sensor to standard current signal 4...20mA.

Most of parameters such as: sensor type, input signal, measuring range may be adapted by user for specific requirements of his measuring system. The transmitter is programmed using PC with RS converter and Aplisens AT configuration software.

If you define type of sensor, measuring range in the order, then the transmitter is programmed with required parameters and their values are printed on serial number label.

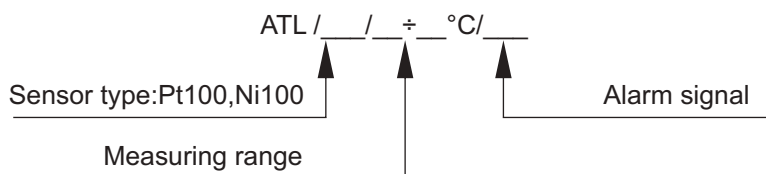
Transmitter for rail mounting.



Technical data

Input signal	Pt 100, Ni 100
Limit process	$20\Omega < R < 380\Omega$
Min. measuring range	10 Ω
Output signal	4 – 20 mA
Power supply	6...29V DC
Load resistance	$R_o[k\Omega] < (U_z - 7V)/25mA$
Alarm signal	23mA or 3,8mA
Accuracy for $\Delta R > 20\Omega$	$\pm 0,2\%$
Thermal error	$\pm 0,1\% / 10^\circ C$
Ambient temperature	-25...+80°C
Error due to supply voltage changes	$\pm 0,1\%$

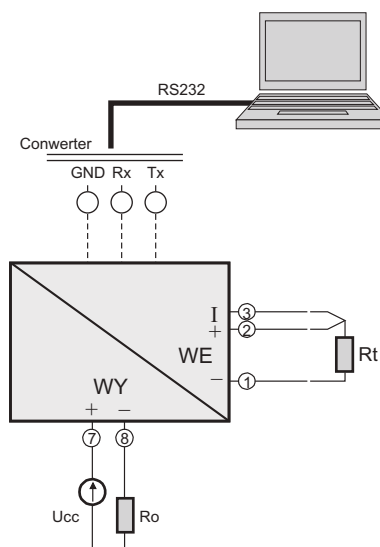
Ordering procedure.



Example: temperature transmitter ATL, sensor type Pt100, measuring range 0...100°C, alarm signal 23mA.

ATL/Pt100/ 0...100°C/23mA

Electrical diagrams

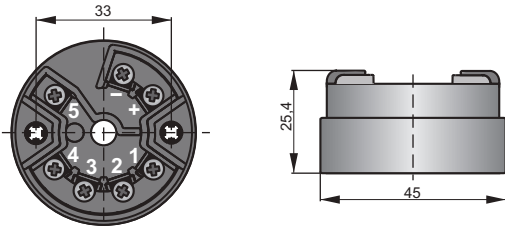


Head-mounted smart temperature transmitter type LI-24G



SIL2
Manufacturer's declaration

- ✓ Galvanic insulation (In, out)
- ✓ Programmable sensor type
- ✓ Programmable measuring range
- ✓ Resistant thermoresistance line compensation
- ✓ Compensation of thermocouple cold junction
- ✓ Output signal 4...20mA + Hart protocol
- ✓ Ambient temperature from -25 to +75 °C
- ✓ Autodiagnostic system
- ✓ Hart protocol
- ✓ Intrinsic Safety version



Ex I M1 Ex ia I Ma
II 1G Ex ia IIC T5/T6 Ga
II 1D Ex ia IIIC T105°C Da

Technical data

Input signal	L, K, J, S, B, N, T, R, E voltage Pt10, Pt50, Pt98, Pt100, Pt200, Pt500, Pt1000, Ni100, Cu50, Cu100, resistance
Limit process	- 10mV < E < 100mV or -100mV < E < 1000mV 0Ω < R < 400Ω or 0Ω < R < 2000Ω
Min. measuring range	10mV or 10Ω
Output signal	4...20mA + HART
Power supply	8,5...36V DC
Max. sensor resistance	150Ω/200Ω
Alarm signal	21,5mA or 3,75 mA or setting by user
Sensor current	0,42mA
Accuracy	± 0,1%
Time constant	0,55s - 1,5s
Additional electronic damping	0...30s
Ambient temperature	-25...+75°C

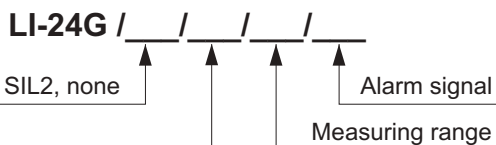
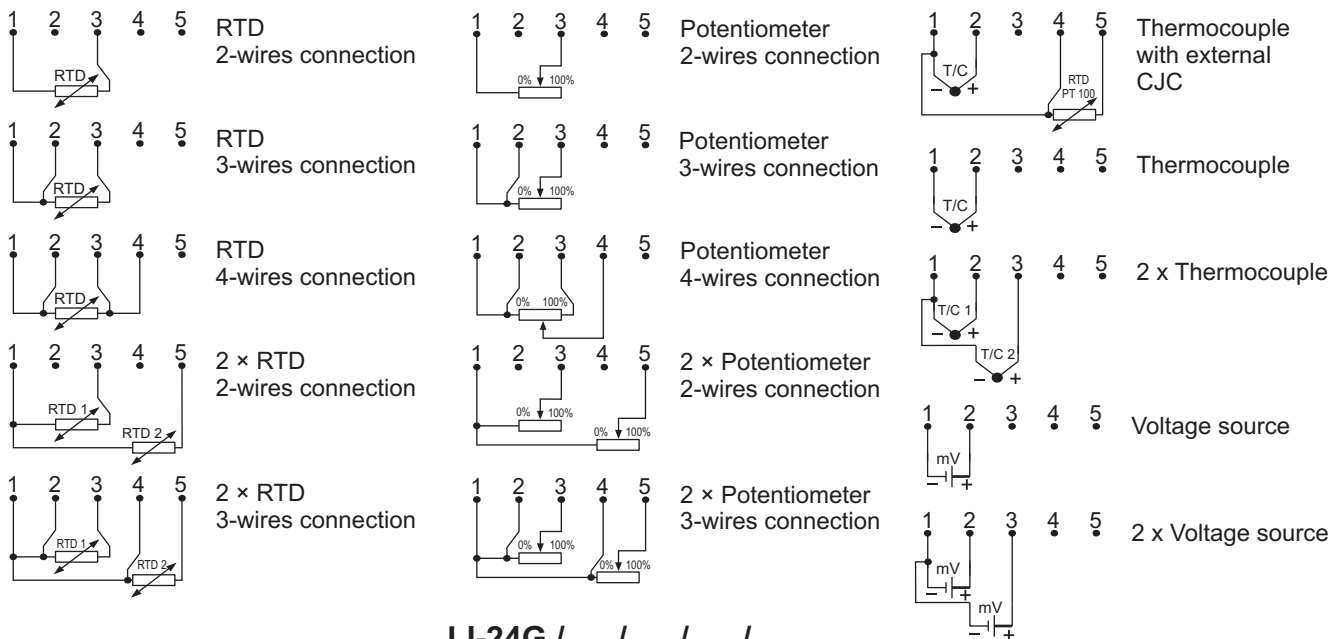
Application and function

The temperature transmitter LI-24G is applicable to converting resistance of temperature or voltage of thermocouple sensor to standard current signal 4-20mA. The transmitter has two separate measuring channels enabling measurement of temperature difference, average, average with redundancy, max or min temperature. Transmitter has compensation of ambient temperature influence and compensation of thermocouple cold junction using internal/external (Pt100) sensor or constant temperature.

Most of parameters such as: sensor type, measuring range, current alarm signal when electric circuit is broken, output characteristic correction, user characteristic (60 points) are programmed using PC with HART/USB converter and Raport 2 configuration software.

For request Aplisens can set temperature transmitter parameters like measuring range, type of sensor. Their values are printed on label.

Electrical diagrams.



Head-mounted temperature transmitter type AT-2

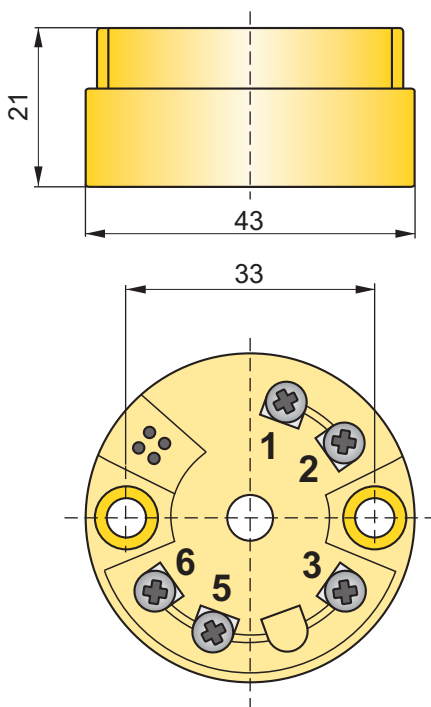


- ✓ Sensor type PT100 or Ni100
- ✓ Thermoresistance line compensation (3 wires line)
- ✓ Output signal 4...20mA
- ✓ Head- mounting system.

Application and function

The temperature economical transmitter AT-2 is applicable to converting resistance of temperature sensor to standard current signal 4...20mA. Most of parameters such as: sensor type, input signal, measuring range may be adapted by user for specific requirements of his measuring system.

User define type of sensor, measuring range in the order, the transmitter are programmed with required parameters and their values are printed on serial number label. Transmitter for head mounting.

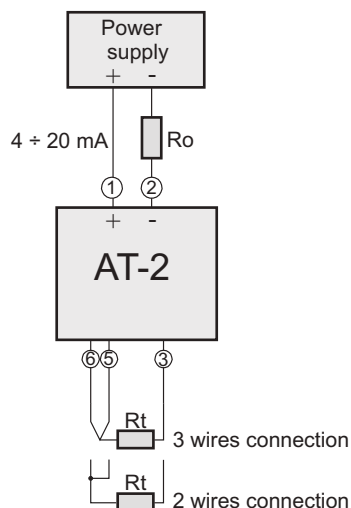


Technical data

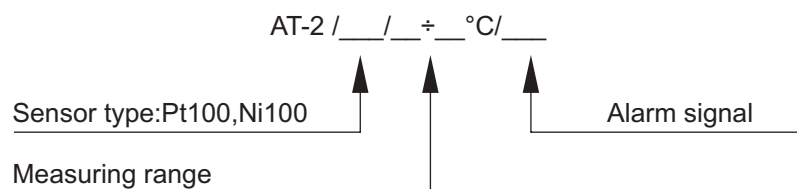
Input signal	Pt 100
Limit process	20Ω <R<380Ω
Min. measuring range	25°C
Output signal	4 – 20 mA
Power supply	7,5...30V DC
Load resistance	$R_d[k\Omega] < (U_z - 7,5V)/22mA$
Alarm signal	22mA or 3,6mA
Accuracy for ΔR>20Ω	± 0,1%
Thermal error	± 0,1% / 10°C
Ambient temperature	-40...+85°C
Error due to supply voltage changes	±0,01%/V

Note: for spans smaller than 75°C, the only permissible start values are: -40°C, -20°C, 0°C, +20°C and +40°C.

Electrical diagrams



Ordering procedure.



Example: temperature transmitter AT-2, sensor type Pt100, measuring range 0...100°C, alarm signal 22mA.

AT-2/Pt100/ 0...100°C/22mA

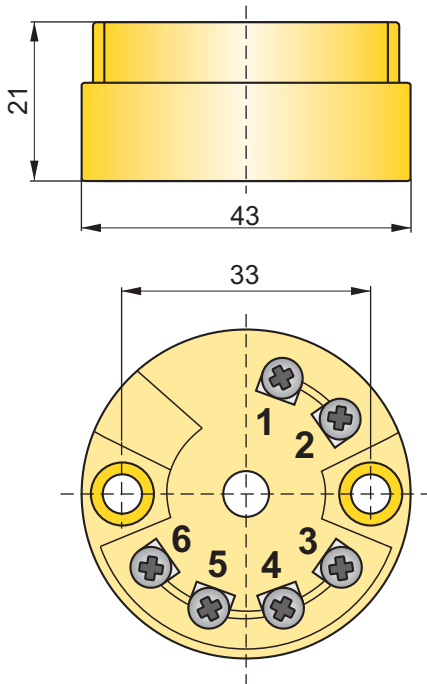
Head-mounted temperature transmitter ATX-2



- ✓ Sensor type: Pt100, Pt500, Pt1000, Ni100
- ✓ Thermoresistance line compensation
- ✓ Output signal 4...20mA
- ✓ ATEX certificate (Ex) II 1G Ex ia IIC T6
- ✓ Head-mounting system.

Application and function

The temperature transmitters are applicable to converting resistance of temperature sensor to standard current signal 4...20mA. Most of parameters such as: sensor type, input signal, measuring range, may be adapted by user for specific requirements of his measuring system. User define type of sensor, measuring range in the order, the transmitter are programmed with required parameters and their values are printed on serial number label. Transmitter for head mounting.

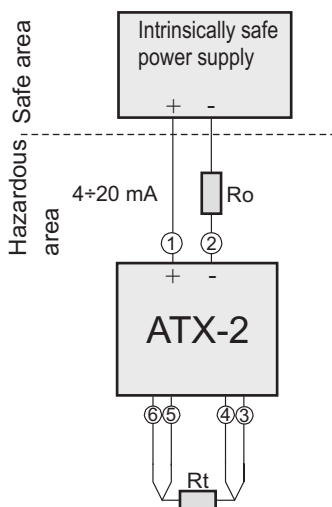


Technical data

Input signal	Pt,Ni
Min.measuring range	10°C
Output signal	4-20mA
Power supply	8...30VDC
Load resistance	$R_d[k\Omega] < (U_z - 8V) / 22mA$
Alarm signal	21mA or 3,5mA
Accuracy for $\Delta R > 20\Omega$	$\pm 0,2\%$
Thermal error	$\pm 0,05\% / 10^\circ C$
Ambient temperature	-40...+85°C
Accuracy:	

PT100: -100÷200°C	±0,2°C	PT1000: -100÷200°C	±0,2°C
PT100: -200÷850°C	±0,4°C	PT1000: -100÷250°C	±0,4°C
PT500: -100÷200°C	±0,2°C	Ni100: -60÷250°C	±0,2°C

Electrical diagrams

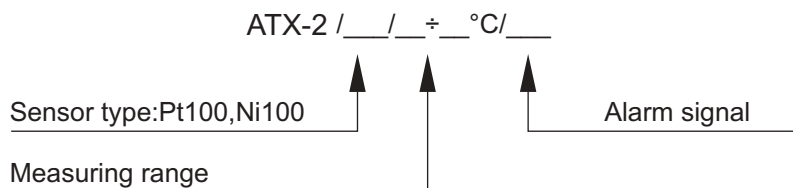


Input parameters

Input terminals 3, 4, 5, 6:
 $U_o = 9,6V$, $I_o = 4,5mA$, $P_o = 11mW$,
 $L_o = 4,5mH$ dla IIC; $8,5mH$ dla IIB
 $C_o = 709nF$ dla IIC; $1300nF$ dla IIB

Supply terminals 1(+) 2(-):
 $U_i = 30V$, $I_i = 100mA$, $P_i = 750mW$, $L_i \sim 0$, $C_i \sim 0$

Ordering procedure



Example: temperature transmitter ATX-2, sensor type Pt100, measuring range 0...100°C, alarm signal 23mA.

ATX-2/Pt100/0...100°C/23mA

Head-mounted temperature transmitter type GI-22-2, GIX-22-2



- ✓ Galvanic insulation (In, out)
- ✓ Thermoresistance line compensation (3 and 4 wires line)
- ✓ Compensation of thermocouple cold junction
- ✓ Output signal 4...20mA
- ✓ Head-mounting system
- ✓ Certificate ATEX II 1G Ex ia IIC T6 (GIX-22-2 version).

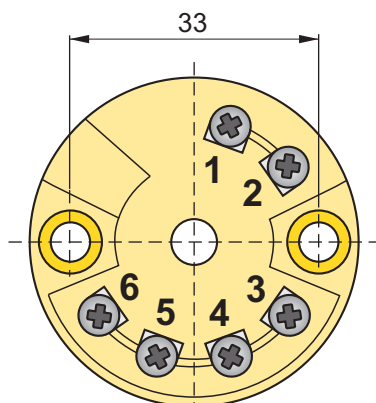
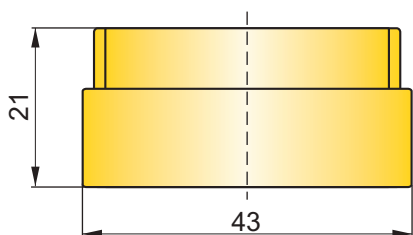
Application and function

The temperature transmitters are applicable to converting resistance of temperature or voltage of thermocouple sensor to standard current signal 4...20mA.

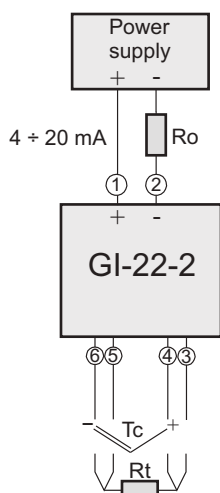
Most of parameters such as: sensor type, input signal, measuring range, may be adapted by user for specific requirements of his measuring system.

User define type of sensor, measuring range in the order, the transmitter are programmed with required parameters and their values are printed on serial number label.

Transmitter for head mounting.



Electrical diagrams



Technical data

Input signal	J, L, U, T, E, K, N, S, R, B, Pt, Ni
Min. measuring range	10°C for Pt, Ni 50°C for J, L, U, T, E, K, N 500°C for S, R, B
Output signal	4 – 20mA
Power supply	8...35V DC
Load resistance	8-30V DC for GIX-22-2 $R_0[k\Omega] < (U_z - 11V)/25mA$
Alarm signal	22mA or 3,6 mA
Galvanic insulation	Optoelectrical
Accuracy	

PT100: -100÷200°C	±0,2°C	J: -210÷1200°C	±0,5°C over -150°C
PT100: -200÷850°C	±0,4°C	L: -200÷900°C	±0,5°C
PT500: -100÷200°C	±0,2°C	U: -200÷600°C	±0,5°C
PT100: -200÷250°C	±0,4°C	T: -270÷400°C	±0,5°C over -200°C
PT1000: -100÷200°C	±0,2°C	E: -270÷1000°C	±0,5°C over -150°C
PT1000: -100÷250°C	±0,4°C	K: -270÷1372°C	±0,5°C over -140°C
Ni100: -60÷250°C	±0,2°C	N: -270÷1300°C	±1°C over -100°C
		S: -50÷1768°C	±2°C over +20°C
		R: -50÷1768°C	±2°C over +50°C
		B: 0÷1820°C	±2°C over +400°C

Thermal error	±0,05 %/10°C
Voltage error	±0,01%/V
Ambient temperature	-40...+85°C

Ordering procedure

GIX-22-2 / ___ / ___ ÷ ___ °C / ___

GI-22-2 / ___ / ___ ÷ ___ °C / ___

Sensor type

Measuring range

alarm signal:
22mA or 3,6mA

Chapter X

Temperature sensors

Temperature sensor CT 25.....	X/ 2
Temperature sensor CT AL	X/ 3
Temperature sensor CT GB1	X/ 5
Temperaturesensor CT GN1	X/ 6
Temperaturesensor CT T1	X/ 7
Temperature sensor CT SW1, SW2	X/ 8
Temperature sensor CT I4, CT I5	X/ 9
Temperature sensor CT I6, CT I8, CT P1	X/ 10
Temperature sensors CT U...	X/ 11
Temperature sensors CT UC.....	X/ 12
Temperature sensors CT C...	X/ 13
Temperature sensors CT F.....	X/ 14
Temperature sensors CT X...	X/ 15
Cable temperature sensor CT GE1, CT E1, CT R6, CT E2.....	X/ 16
Measuring insert, clamping grips.....	X/ 17
Thermowell OG...	X/ 18

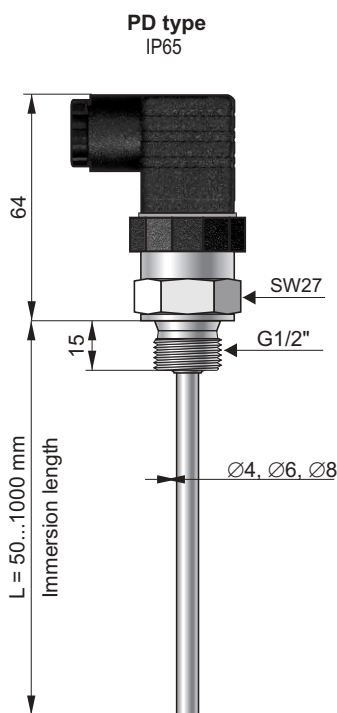
NEW

Temperature sensor type CT-25

- ✓ RTD output signal
- ✓ Stainless steel casing and wetted parts

Application and construction

Temperature sensor type CT-25 is designed for temperature measurement of liquid and gaseous media in range from -40 to +200°C. Casing of sensor and wetted parts are made in stainless steel. Available electrical connections are angular connector DIN EN 175301-803 or connector M12x1.



Technical data

Measuring range	-40...200°C
Accuracy	±(0,3+0,005 t)°C (class B per IEC 60751)
Wetted parts material	316L
Sensor diameter	Ø4, Ø6, Ø8mm
Process connection	G1/2", other on request
Immersion length	50...1000mm
Extension neck	on request
Ingress protection	PD - IP65, PM12 - IP67

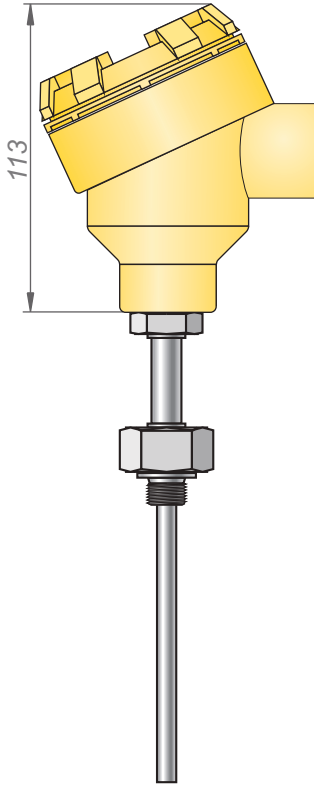
Ordering procedure

CT-25/___/L = ... mm/___/___/___/___

- Electrical connection: **PD** (connector DIN EN 175301-803)
PM12 (connector M12x1)
- Immersion length: **L=...mm** (standard: 50, 100, 150, 200, 250 mm
other length on request)
- Diameter of sensor: **4, 6, 8 mm**
- Connection thread: **G1/2"**, other on request
- Measuring element: **Pt100**
- Number of wires: **2, 3, 2x2** (only in PM12 version)

Temperature sensor type CT AL Temperature transmitter type APT AL with Explosion Proof certificate

now available with
BV marine certificate



TECHNICAL DATA:

1. Measuring range:
Pt: -196...550°C
J/K: -200...550°C
2. Material of wetted parts:
304ss or 316Lss (other materials on request)
3. Process connection:
M20x1.5, G1/2", 1/2"NPT, flanges according to DIN or ANSI
(other process connection on request)
4. Diameter of measuring insert:
Ø 6mm, Ø 8mm
5. Minimal immersion depth:
90mm
6. Electrical entry:
Thread M20x1,5 or 1/2"NPT
6. Certificate ATEX:

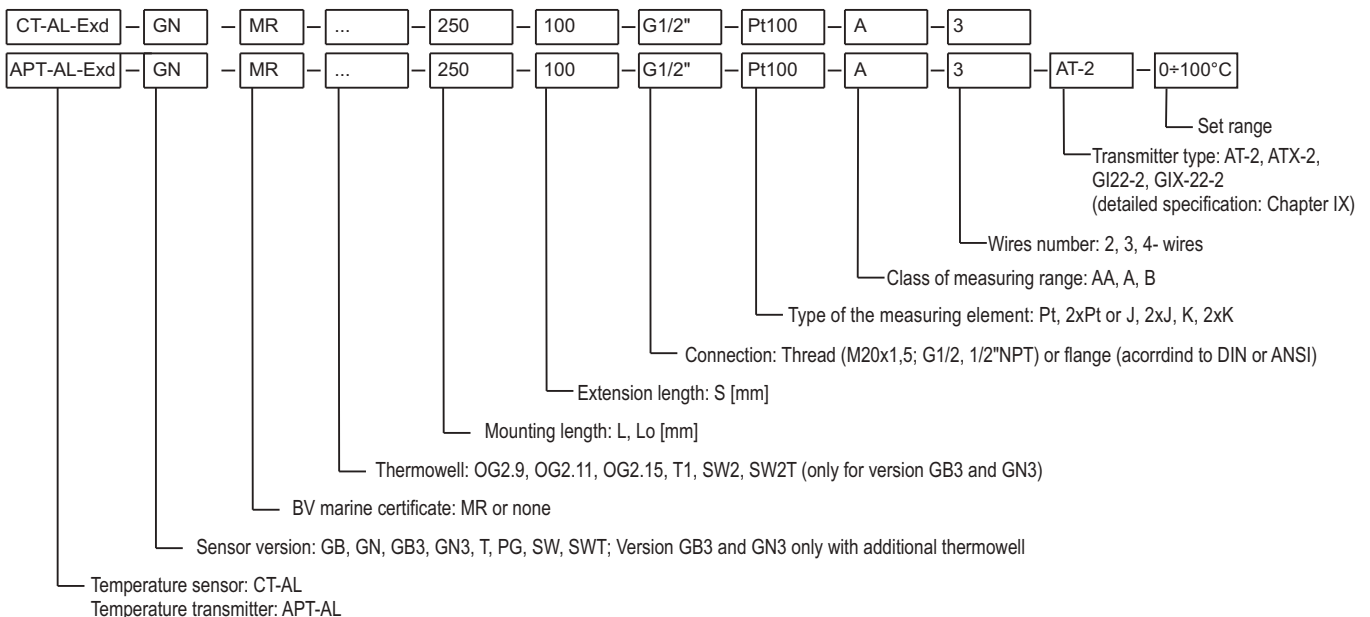
Location of complete equipment in zone 1 or 21

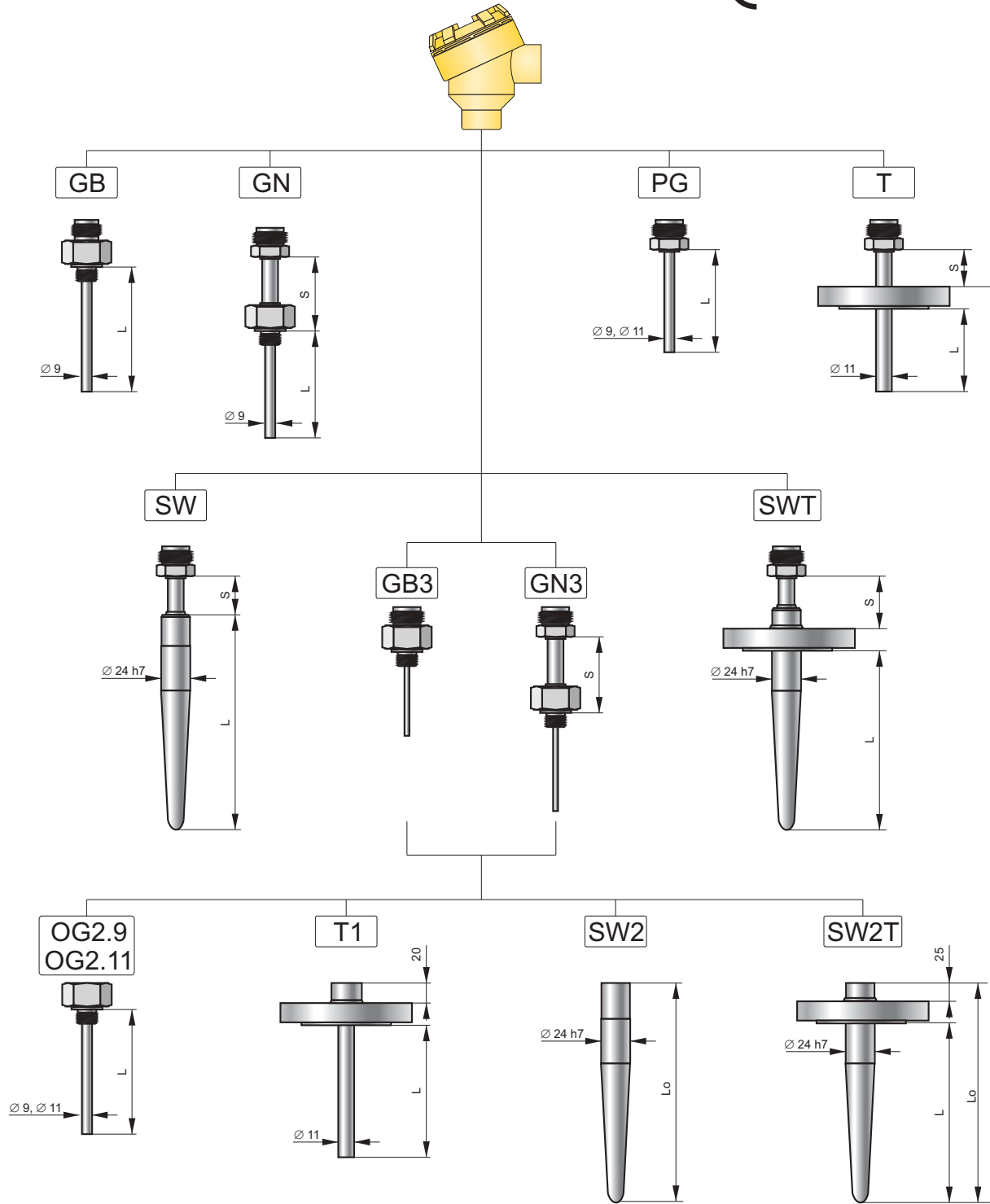
Ex II 2G Ex d IIB+H₂T** Gb
II 2D Ex tb IIIC T* Db

Measuring stem with screwed to the opening D2 of housing thermowell, with proper wall thickness (zone 0 or 20):
a) minimum 1,5mm, made of corrosion resistant steel or
b) minimum 1mm and ficed in protective thermowell (wall thickness minimum 1mm) made of corrsion resistant steel

Ex II 1/2G Ex d IIB+H₂T** Ga/Gb
II 1/2D Ex tb IIIC T* Da/Db

Ordering procedure with example of ordering code

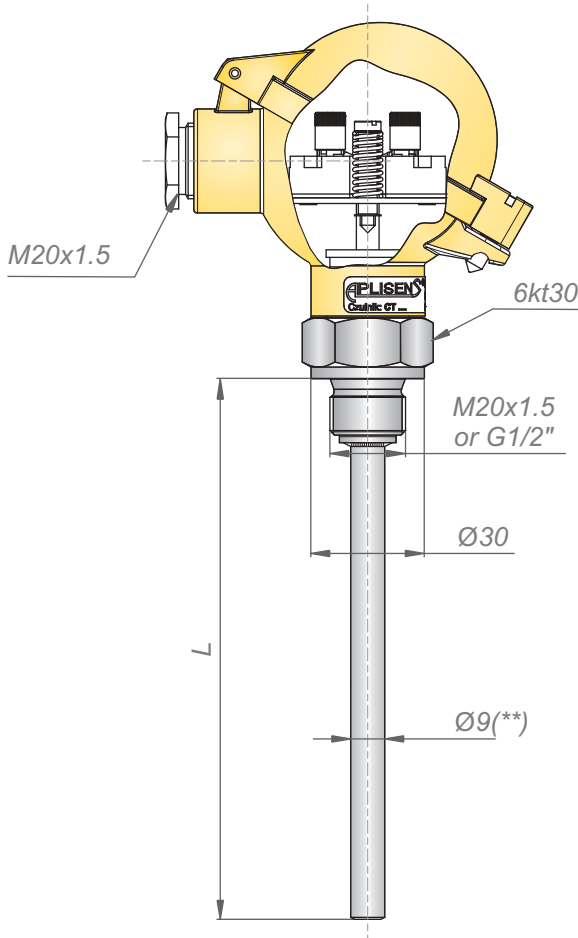




Type	D [mm]	L, Lo [mm]	Material	Available process connection
PG	$\varnothing 9, \varnothing 12, \varnothing 11$	as required	1.4301 (304)	–
GB	$\varnothing 9$	100, 160, 250, 400	1.4301 (304)	M20x1.5, G1/2"
GN	$\varnothing 9, \varnothing 12$	100, 160, 250, 400	1.4301 (304)	M20x1.5, G1/2"
SW	$\varnothing 24\text{ h7}$	100, 140, 200	1.7335 (15HM), 1.7380 (10H2M), 1.4404 (316L)	–
SW2		140, 200		
SWT; SW2T	$\varnothing 24\text{ h7}$	100, 140, 200 140, 200	1.7335 (15HM), 1.7380 (10H2M), 1.4404 (316L)	Flange according to DIN and ANSI
OG2.9	$\varnothing 9$	as required	1.4404 (316L)	G1/2", G3/4", G1" 1/2"NPT, 3/4"NPT M18x1.5, M20x1.5 M24x1.5, M27x2
OG2.11	$\varnothing 11$			
OG2.15	$\varnothing 15$			
T	$\varnothing 11$	as required	1.7335 (15HM), 1.7380 (10H2M), 1.4404 (316L)	Flange according to DIN and ANSI"
T1	$\varnothing 9, \varnothing 11$			

Temperature sensor type CT GB1

now available with
BV marine certificate



TECHNICAL DATA:

1. Measuring range:
Pt: -70...150°C / -196...150°C (*)
2. Admissible load:
see **Graph 2** (page X/ 17)
3. Material of wetted parts:
304ss or 316Lss (**)
4. Standard immersion length
L=100, 160, 250, 400 mm (**)
5. Process connection:
M20x1,5 or G1/2" (**)
6. Time constant:

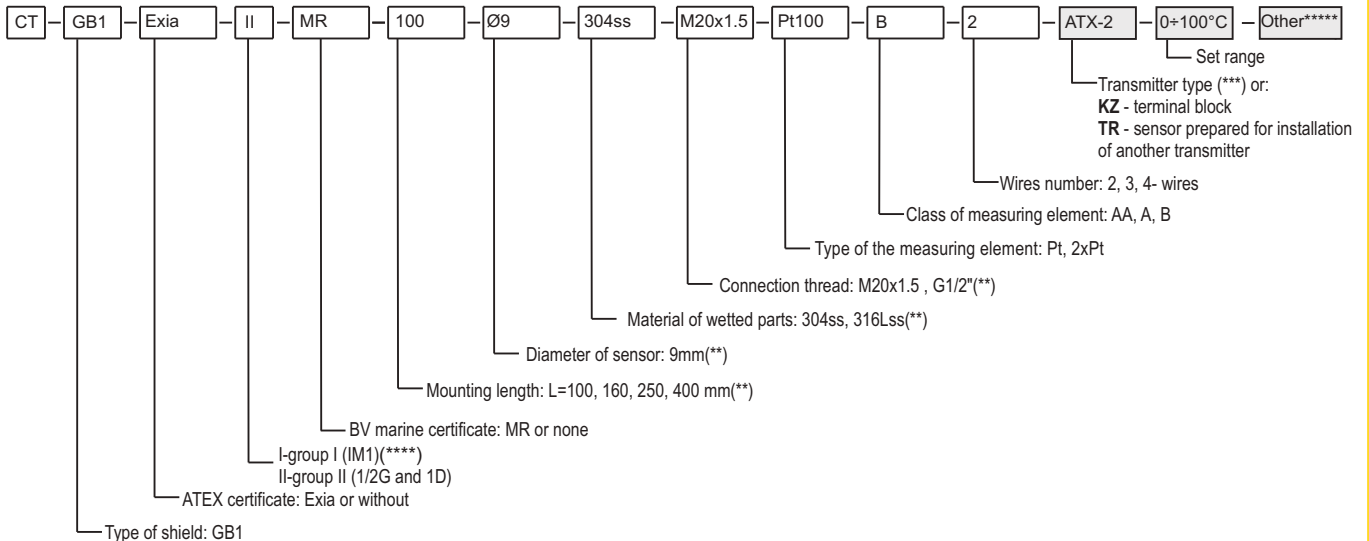
Type of sensor	T _{0,5} [s]	T _{0,9} [s]
CT GB1	≤ 33	≤ 95

7. Diameter of the measuring insert:
Ø 6 mm
8. Minimal immersion depth:
90 mm
9. Admissible vibrations at mounting site:
5 ... 80 [Hz] (up to 5 [g])

Ex I M1 Ex ia I Ma

Ex II 1/2 G Ex ia IIC T6..T1 Ga/Gb
II 1D Ex iaD 20 T75°C Da

Ordering procedure with example of ordering code:

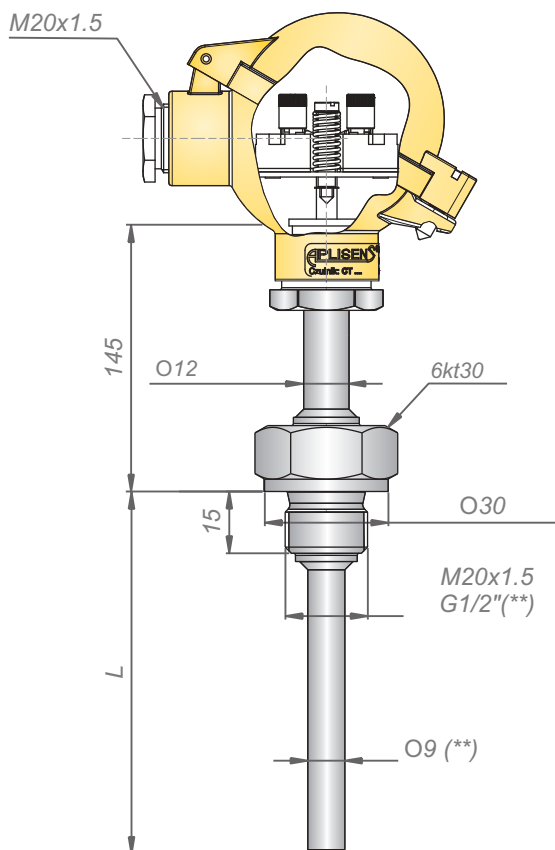


ADDITIONAL INFORMATION:

- 1.(*) Low temperature version: -196...150°C.
- 2.(**) Non-standard version of temperature sensors on request.
- 3.(***) Type of temp. transmitters: LI24-G, AT-2, GI-22-2, ATX-2, GIX-22-2 or other.
- 4.(****) Temperature sensor for group I is produced with stainless steel housing.
- 5.(*****) Additional required parameters acc. to transmitter data sheet.

Temperature sensor type CT GN1

now available with
BV marine certificate



TECHNICAL DATA:

- Measuring range:
Pt: -70...500°C / -196...150°C (*)
J/K: -40...550°C / -200...550°C
- Admissible load:
see **Graph 2** (page X/ 17)
- Material of wetted parts:
304ss or 316Lss (**)
- Standard immersion length
L=100, 160, 250, 400 mm (**)
- Process connection:
M20x1.5 or G1/2"(**)
- Time constant:

Pt	T _{0.5} [s]	T _{0.9} [s]
	≤ 33	≤ 95

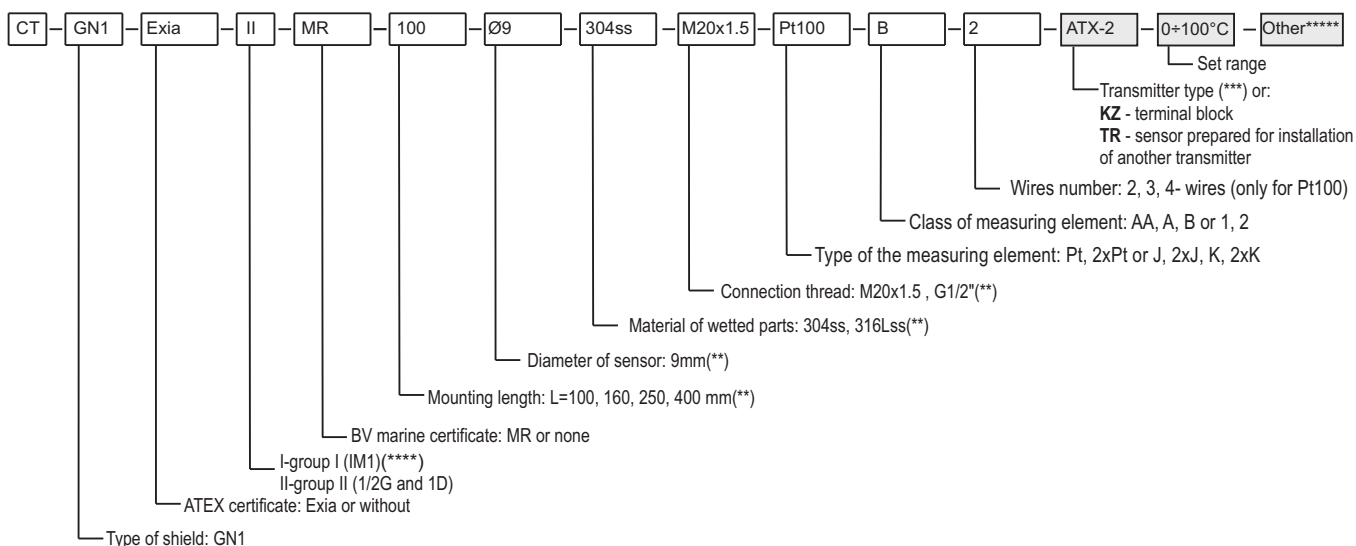
J/K	Isolated junction		Grounded junction	
	T _{0.5} [s]	T _{0.9} [s]	T _{0.5} [s]	T _{0.9} [s]
	≤ 22	≤ 62	≤ 3	≤ 8

- Diameter of the measuring insert:
Ø 6 mm
- Minimal immersion depth:
Pt: 90 mm

Ex I M1 Ex ia I Ma

Ex II 1/2 G Ex ia IIC T6..T1 Ga/Gb
II 1D Ex iaD 20 T75°C Da

Ordering procedure with example of ordering code:

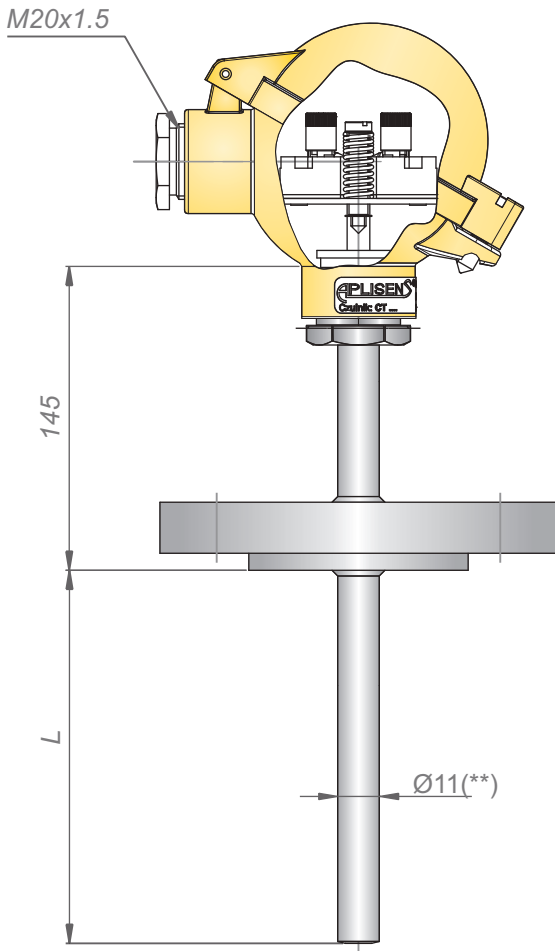


ADDITIONAL INFORMATION:

- (*) Low temperature version: -196...150°C.
- (**) Non-standard version of temperature sensors on request.
- (***) Type of temp. transmitters: LI24-G, AT-2, GI-22-2, ATX-2, GIX-22-2 or other.
- (****) Temperature sensor for group I is produced with stainless steel housing.
- (*****) Additional required parameters acc. to transmitter data sheet.

Temperature sensor type CT T1

now available with
BV marine certificate



TECHNICAL DATA:

1. Measuring range:
Pt: -70...500°C / -196...150°C (*)
J/K: -40...550°C
2. Admissible load:
see **Graph 1** (page X/ 17)
3. Material of wetted parts:
304ss or 316Lss (**)
4. Standard immersion length
L=100, 160, 250, 400 mm (**)
5. Flange process connection
6. Time constant:

Pt	T _{0.5} [s]	T _{0.9} [s]
	≤ 40	≤ 120

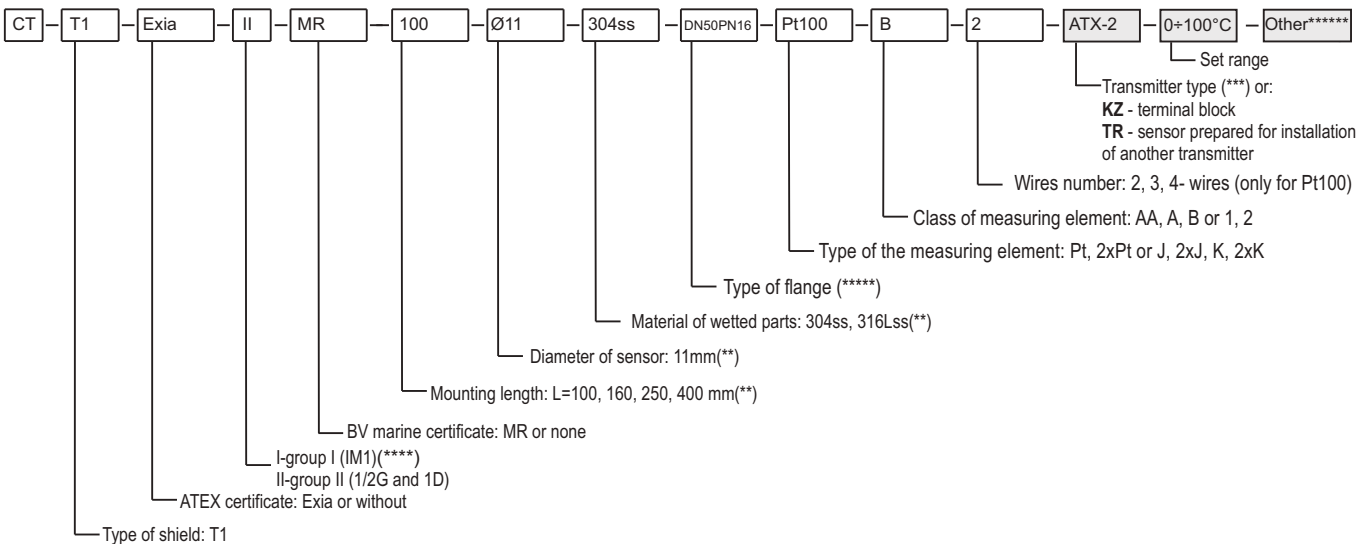
J/K	Isolated junction		Grounded junction	
	T _{0.5} [s]	T _{0.9} [s]	T _{0.5} [s]	T _{0.9} [s]
	≤ 27	≤ 90	≤ 6	≤ 15

7. Diameter of the measuring insert:
Ø 6 mm
8. Minimal immersion depth:
Pt: 100 mm

Ex I M1 Ex ia I Ma

Ex II 1/2 G Ex ia IIC T6..T1 Ga/Gb
II 1D Ex iaD 20 T75°C Da

Ordering procedure with example of ordering code:



ADDITIONAL INFORMATION:

- 1.(*) Low temperature version: -196...150°C
- 2.(**) Non-standard version of temperature sensors on request.
- 3.(***) Type of temp. transmitters: LI-24G, AT-2, GI-22-2, ATX-2, GIX-22-2 or other.
- 4.(****) Temperature sensor for group I is produced with stainless steel housing.
- 5.(*****) The flange standard are available acc. to norm PN, ANSI or DIN.
- 6.(*****) Additional required parameters acc. to transmitter data sheet.

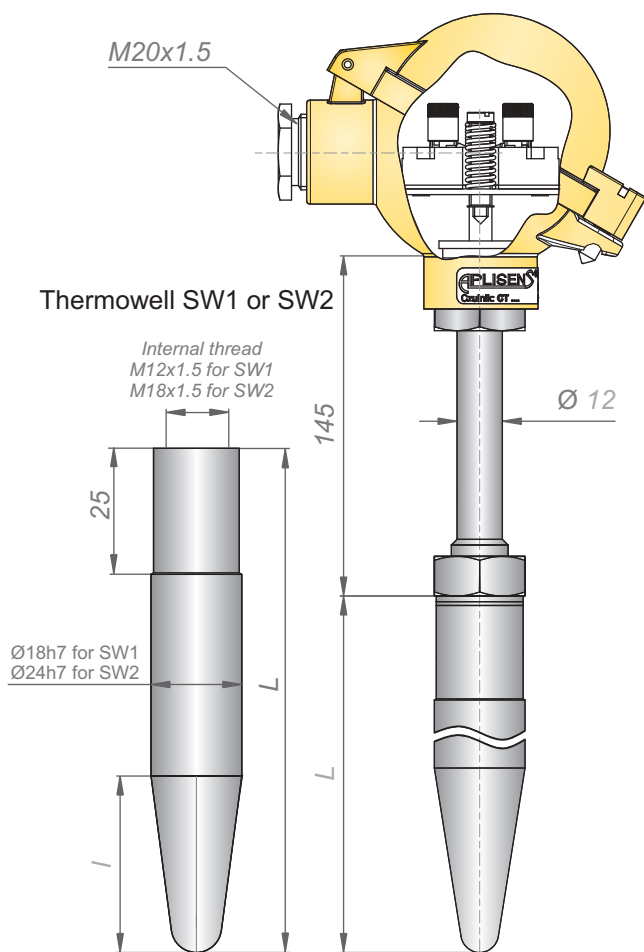
Temperature sensor type CT SW1, CT SW2

now available with
BV marine certificate

TECHNICAL DATA:

1. Measuring range:
Pt: -70...500°C for 10H2M, 15HM
J/K: 0...570°C for 10H2M; -40...540°C for 15HM
2. Admissible load:
see **Graph 3** (page XI/ 17)
3. Material of wetted parts:
15HM, 10H2M (*)
4. Standard immersion length
L=100, 140, 200 mm (*)
5. Fastening (welding) diameter:

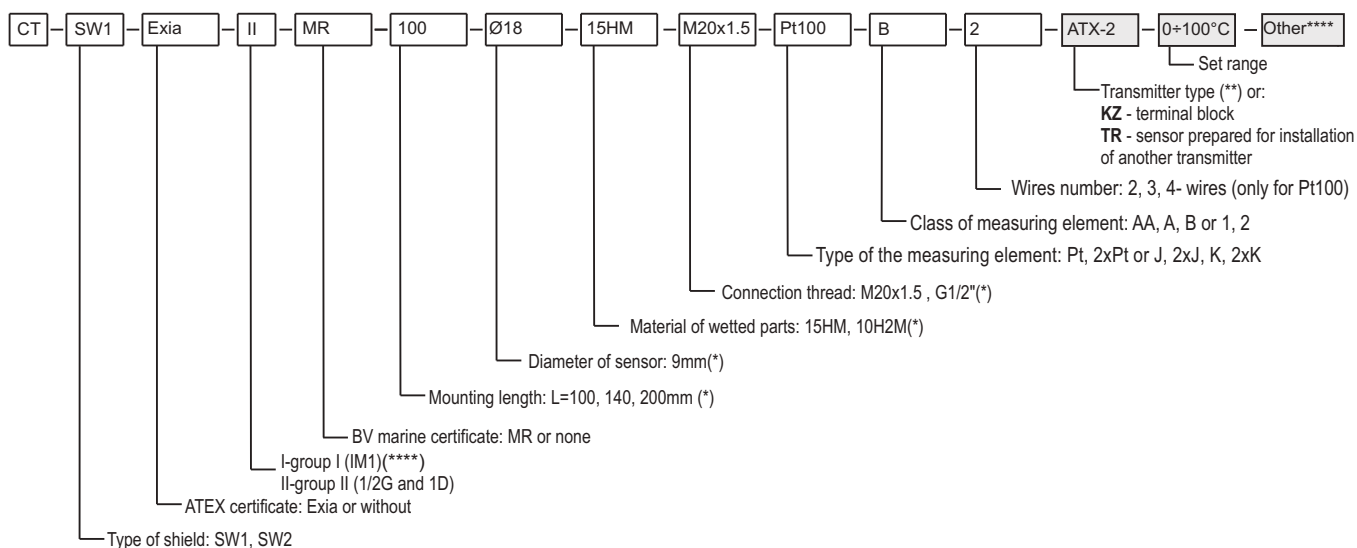
CT SW1	CT SW2
Ø=18h7	Ø=24h7



Type of sensor	Shield			Measuring insert Ø [mm]
	Ø [mm]	L [mm]	I [mm]	
CT SW1	18h7	100	35	3
		140	65	3
		200	65	3
CT SW2	24h7	140	65	6
		200	65	6

- Ex I M1 Ex ia I Ma
- Ex II 1/2 G Ex ia IIC T6..T1 Ga/Gb
II 1D Ex iaD 20 T75°C Da

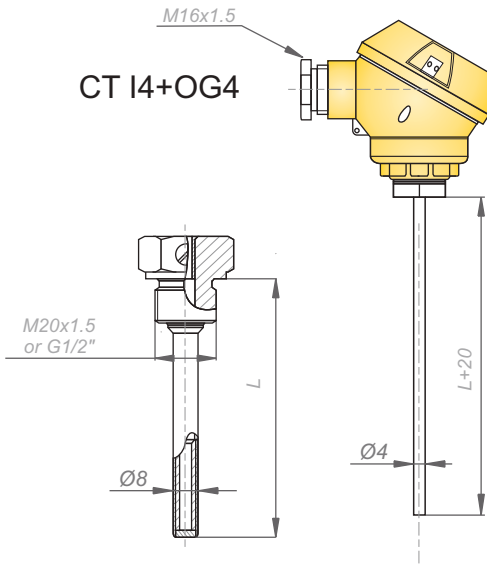
Ordering procedure with example of ordering code:



ADDITIONAL INFORMATION:

- 1.(*) Non-standard version of temperature sensors on request.
- 2.(**) Type of temp. transmitters: LI-24G, AT-2, GI-22-2, ATX-2, GIX-22-2 or other.
- 3.(***) Temperature sensor for group I is produced with stainless steel housing.
- 4.(****) Additional required parameters acc. to transmitter data sheet.

Temperature sensor type CT I4, CT I5

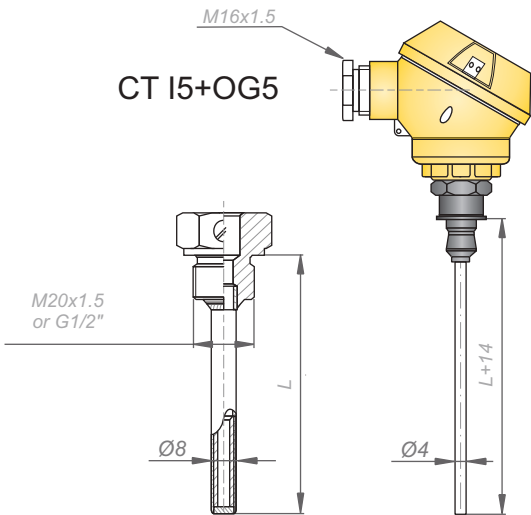


TECHNICAL DATA:

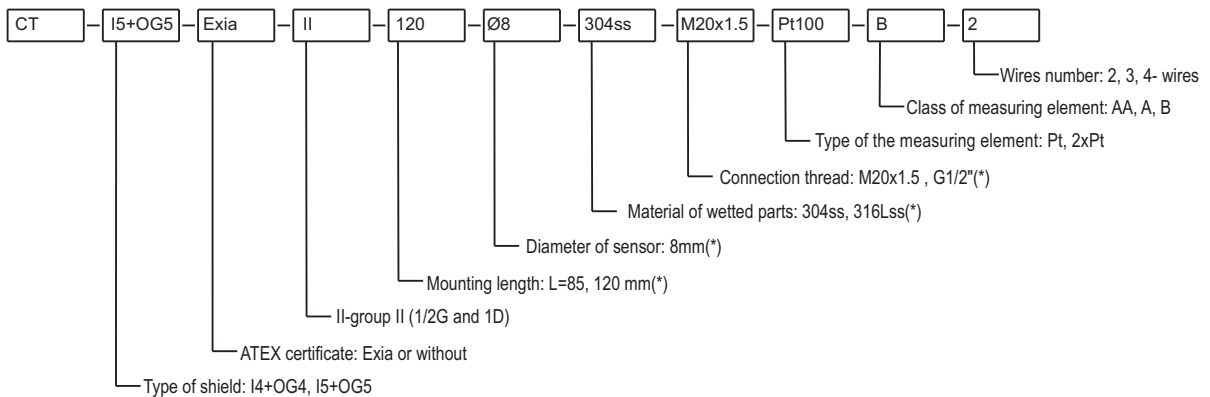
1. Measuring range:
Pt: -70...150°C
2. Admissible load:
OG4 and OG5: 1,6MPa
3. Material of wetted parts:
304ss or 316Lss (*)
4. Standard immersion length
Shield of sensor: L=85 or 120 mm (*)
5. Process connection:
M20x1,5 or G1/2" (*)
6. Time constant:

Type of sensor	T _{0,9} [s]
CT I4+OG4	≤ 15
CT I5+OG5	≤ 15

Ex II 1/2 G Ex ia IIC T6..T1 Ga/Gb
II 1D Ex iaD 20 T75°C Da



Ordering procedure with example of ordering code:

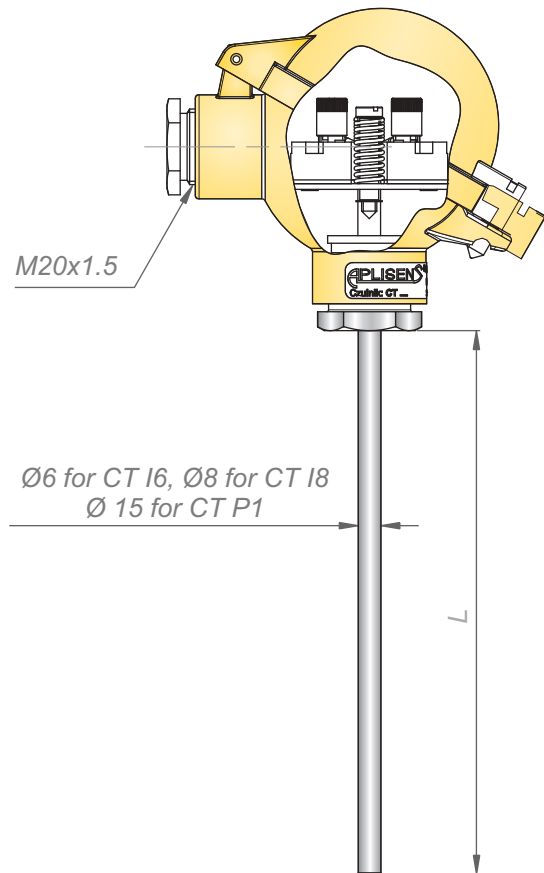


ADDITIONAL INFORMATION:

- 1.(*) Non-standard version of temperature sensors on request.

Temperature sensor type CT I6, CT I8, CT P1

now available with
BV marine certificate



TECHNICAL DATA:

- Measuring range:
Pt: -70...500°C / -196...150°C (*)
J/K: -40...550°C
- Admissible load:
max. up to 0.1MPa(****)
- Material of wetted parts:
CT I6, CT I8 - 304ss or 316Lss (**)
CT P1 - 15HM steel
- Standard immersion length
CT I6, CT I8: L=100, 160, 250, 400 mm (**)
CT P1: L=500, 700, 1000, 1400, 2000 mm(**)
- Process connection
CT I6, CT I8: movable fastener UG6, UG8
CT P1: movable fastener UG15, UC1-15
- Time constant:

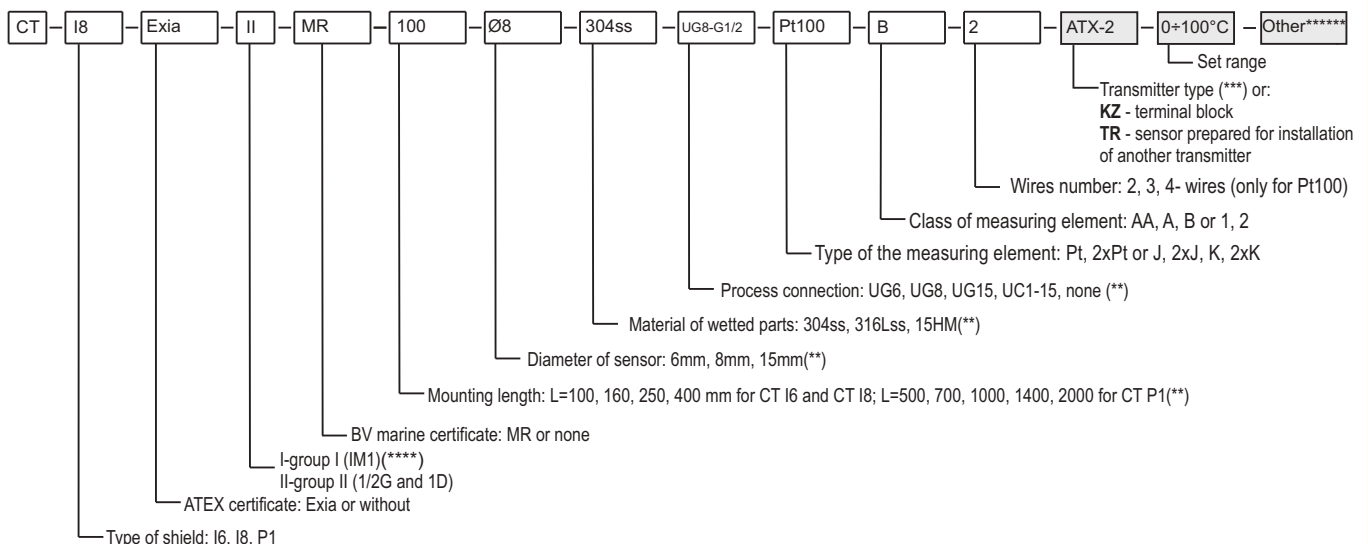
Type of sensor	0.5/0.9 [s]		
	Pt	Isolated junction	Grounded junction
CT I6	4/ 13	7/ 18	1/ 5
CT I8	9.5/ 28	10/ 25	1.5/ 7

- Minimal immersion depth:
CT I6-60 mm; CT I8-90 mm; CT P1-150 mm
- Admissible vibrations at mounting site:
5...80 [Hz] (up to 2 [g])

⊕ I M1 Ex ia I Ma

⊕ II 1/2 G Ex ia IIC T6..T1 Ga/Gb
II 1D Ex iaD 20 T75°C Da

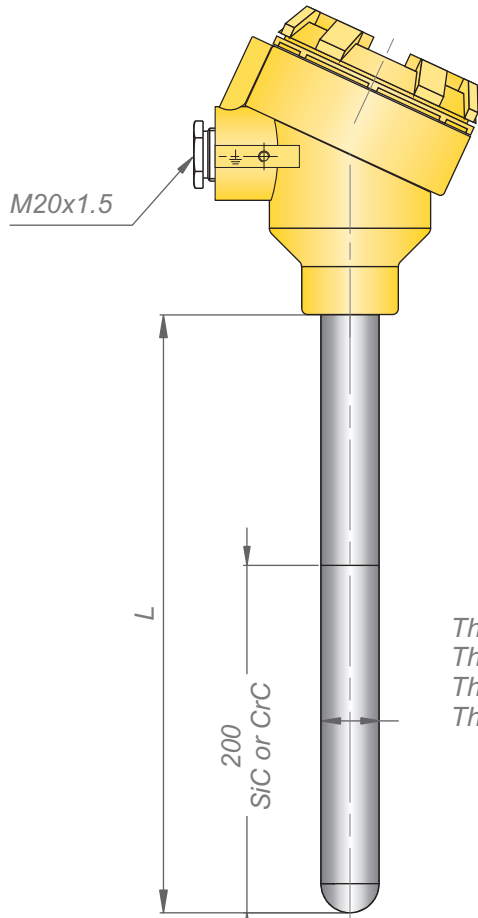
Ordering procedure with example of ordering code:



ADDITIONAL INFORMATION:

- (*) Low temperature version: -196...150°C.
- (**) Non-standard version of temperature sensors on request.
- (***) Type of temp. transmitters: LI24-G, AT-2, GI-22-2, ATX-2, GIX-22-2 or other.
- (****) Temperature sensor for group I is produced with stainless steel housing.
- (*****) On request, we offer ERMETO sealing for higher pressures.
- (*****) Additional required parameters acc. to transmitter data sheet.

Temperature sensor type CT U1, CT U2, CT U3, CT U4



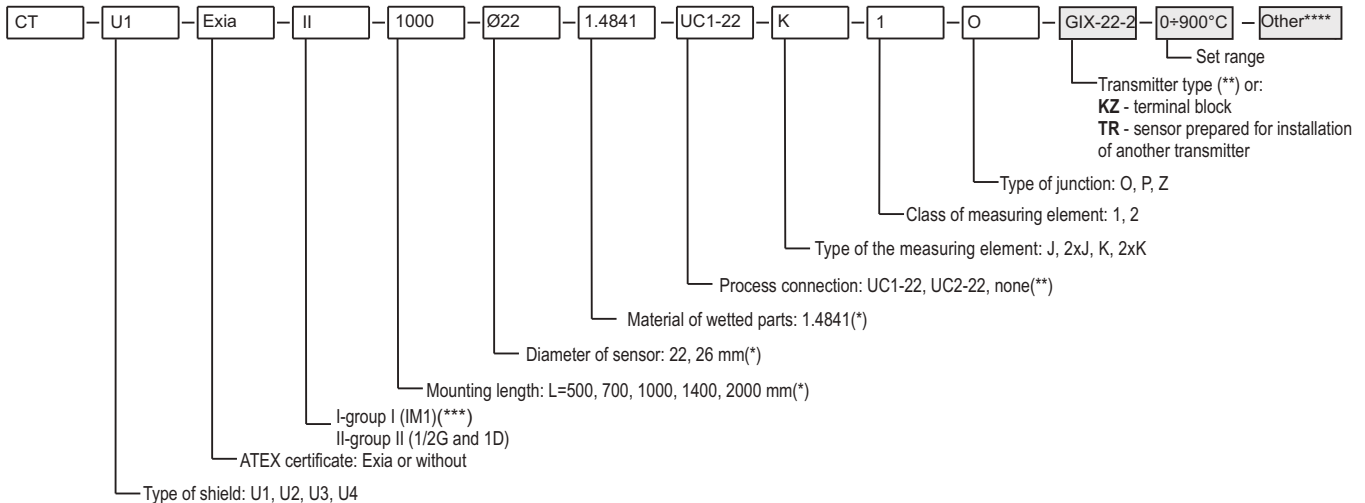
TECHNICAL DATA:

1. Measuring range (constant/momentary)
J: -40...750°C
K: -40...1000°C / -40...1100°C
2. Admissible load:
0.1 MPa
3. Material of wetted parts:
Heat-resisting steel 1.4841(*).
4. Standard immersion length
L=500, 700, 1000, 1400, 2000 mm (*)
5. Process connection:
UC1-22, UC2-22
6. Type of measuring junction :
isolated
7. Admissible vibrations at mounting site:
5 ... 80 [Hz] (up to 2[g])

- Ex I M1 Ex ia I Ma
- Ex II 1/2 G Ex ia IIC T6..T1 Ga/Gb
II 1D Ex iaD 20 T75°C Da

*Thermowell Ø22x2 for CT U1
Thermowell Ø22x2+ SiC or CrC for CT U2
Thermowell Ø22x4 for CT U3
Thermowell Ø26x3 for CT U4*

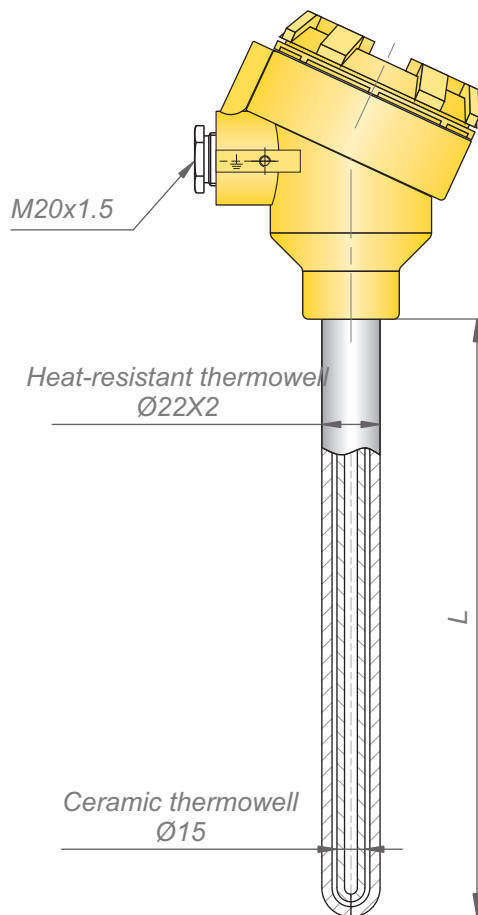
Ordering procedure with example of ordering code:



ADDITIONAL INFORMATION

1. Type of exchangeable insert: W5.
- 2.(*) Non-standard version of temperature sensors on request.
- 3.(**) Type of temp. transmitters: LI-24G, GI-22-2, GIX-22-2 or other.
- 4.(***) Temperature sensor for group I is produced with stainless steel housing.
- 5.(****) Additional required parameters acc. to transmitter data sheet.

Temperature sensor type CT UC



TECHNICAL DATA:

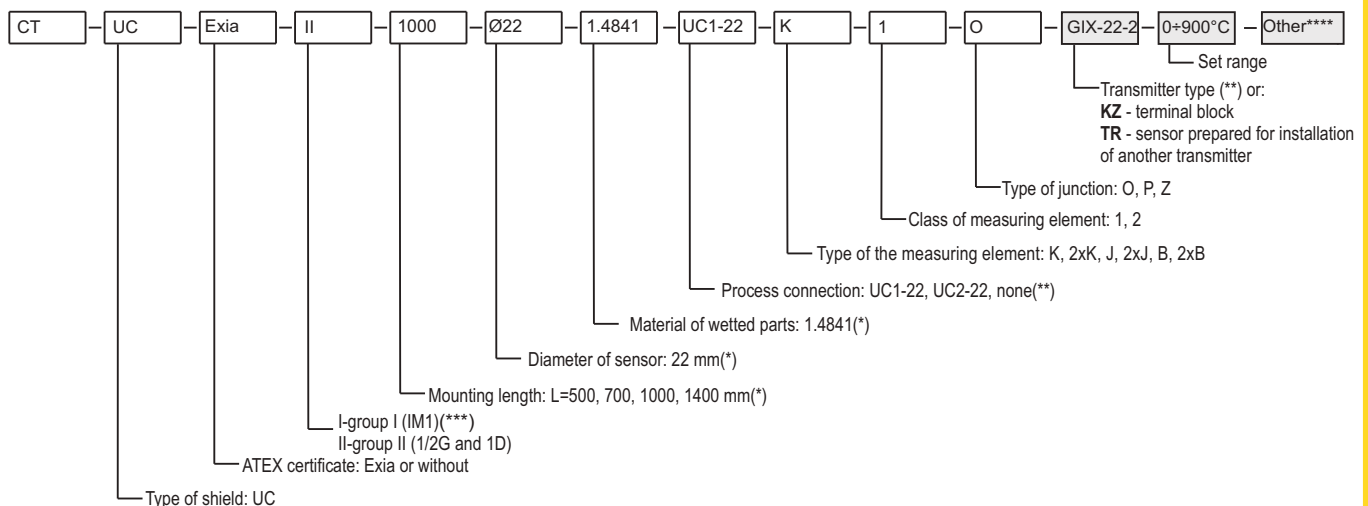
- Measuring range (constant/momentary)
 - K: -40...1000°C / -40...1100°C
 - S: 0...1000°C / 0...1100°C
 - B: 600...1000°C / 600...1100°C
- Material of wetted parts:
 - outside: heat resisting steel 1.4841(*)
 - inside: mullite ceramic material 610
high aluminium ceramic material 799
- Standard immersion length
 - L=500, 700, 1000, 1400 mm (*)
- Standard connection thread:
 - UC1-22, UC2-22
- Admissible vibrations at mounting site:
 - 5 ... 80 [Hz] up to 2 [g]
- Diameters of thermoelectric wires:

Type	Ø [mm]
K	1.6
S	0.35 or 0.5
B	0.35 or 0.5

Ex I M1 Ex ia I Ma

Ex II 1/2 G Ex ia IIC T6..T1 Ga/Gb
II 1D Ex iaD 20 T75°C Da

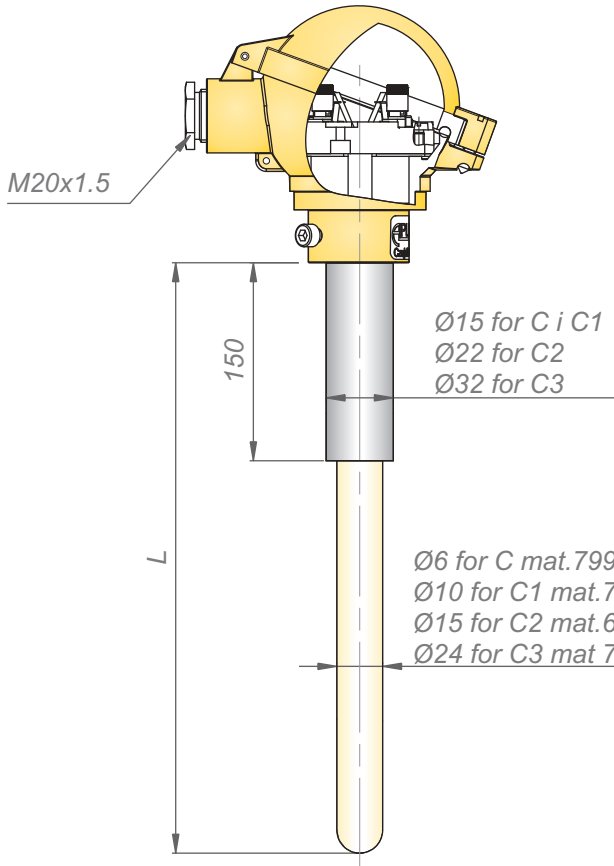
Ordering procedure with example of ordering code:



ADDITIONAL INFORMATION

- Type of exchangeable insert: W4.
- (*) Non-standard version of temperature sensors on request.
- (**) Type of temp. transmitters: LI-24G, GI-22-2, GIX-22-2 or other.
- (***) Temperature sensor for group I is produced with stainless steel housing.
- (****) Additional required parameters acc. to transmitter data shee

Temperature sensor type CT C, CT C1, CT C2, CT C3



TECHNICAL DATA:

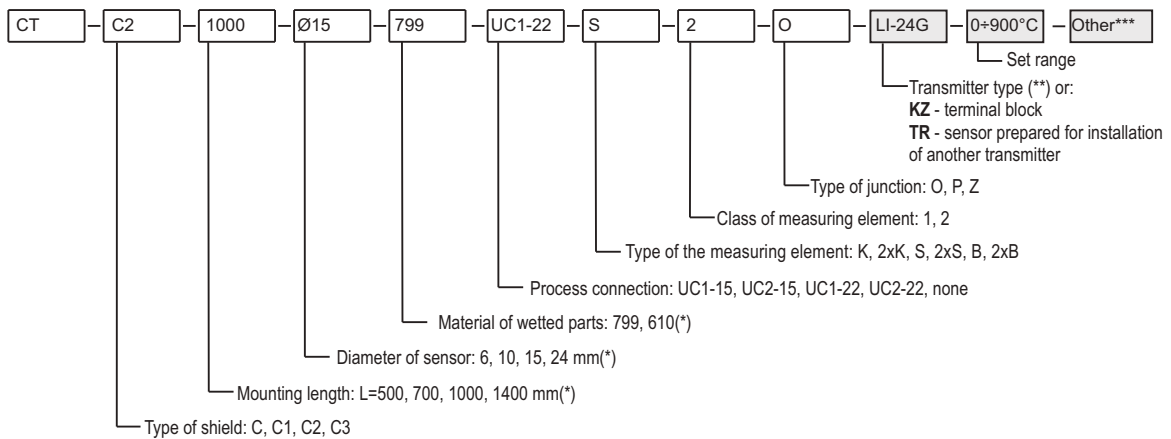
- Measuring range (constant/momentary)
K: -40...1000°C / 0...1100°C
S: 0...1300°C / 0...1600°C
B: 600...1600°C / 660...1700°C
- Material of wetted parts:
mullite ceramic material 610
high aluminium ceramic material 799
- Standard immersion length
L=500, 700, 1000, 1400 mm (*)
- Process connection:
UC1-15, UC2-15, UC1-22, UC2-22
- Admissible vibrations at mounting site:
5 ... 80 [Hz] up to 2 [g]
- Diameters of thermoelectric wires:

Type	Ø [mm]
K	1 for C and C1 1.6 for C2 and C3
S	0.35 or 0.5
B	0.35 or 0.5

Ex I M1 Ex ia I Ma

Ex II 1/2 G Ex ia IIC T6..T1 Ga/Gb
II 1D Ex iaD 20 T75°C Da

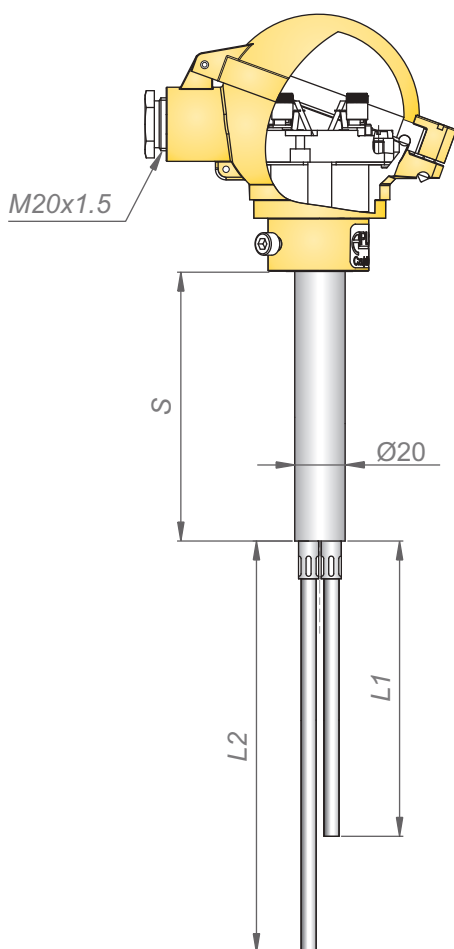
Ordering procedure with example of ordering code:



ADDITIONAL INFORMATION

- Type of exchangeable insert: W4.
- (*) Non-standard version of temperature sensors on request.
- (**) Type of temp. transmitters: LI-24G, GI-22-2 or other.
- (***) Additional required parameters acc. to transmitter data sheet.

Temperature sensor type CT F



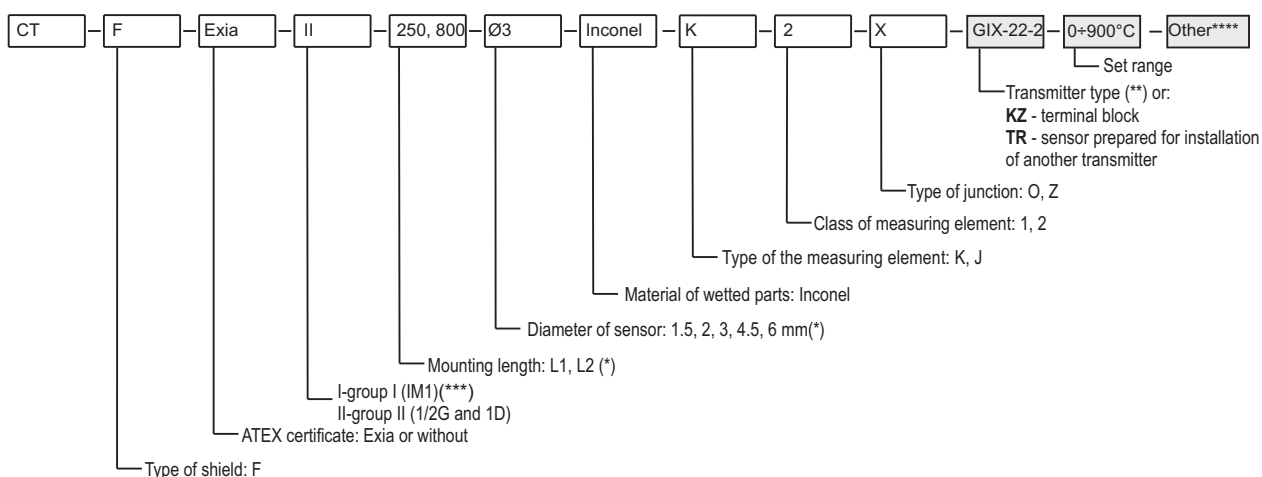
TECHNICAL DATA:

1. Measuring range
 J: -40...750°C
 K: -40...1000°C
2. Material of wetted parts:
 holding element: heat resisting steel 1.4841(*)
 measuring element: INCONEL
3. Standard immersion length:
 L1, L2 - according to specification (**)
4. Assembly length for handle
 S=100 mm or according to specification
5. Diameters of measuring elements:
 Ø: 1.5, 2, 3, 4.5, 6 mm

Ex I M1 Ex ia I Ma

Ex II 1/2 G Ex ia IIC T6..T1 Ga/Gb
 II 1D Ex iaD 20 T75°C Da

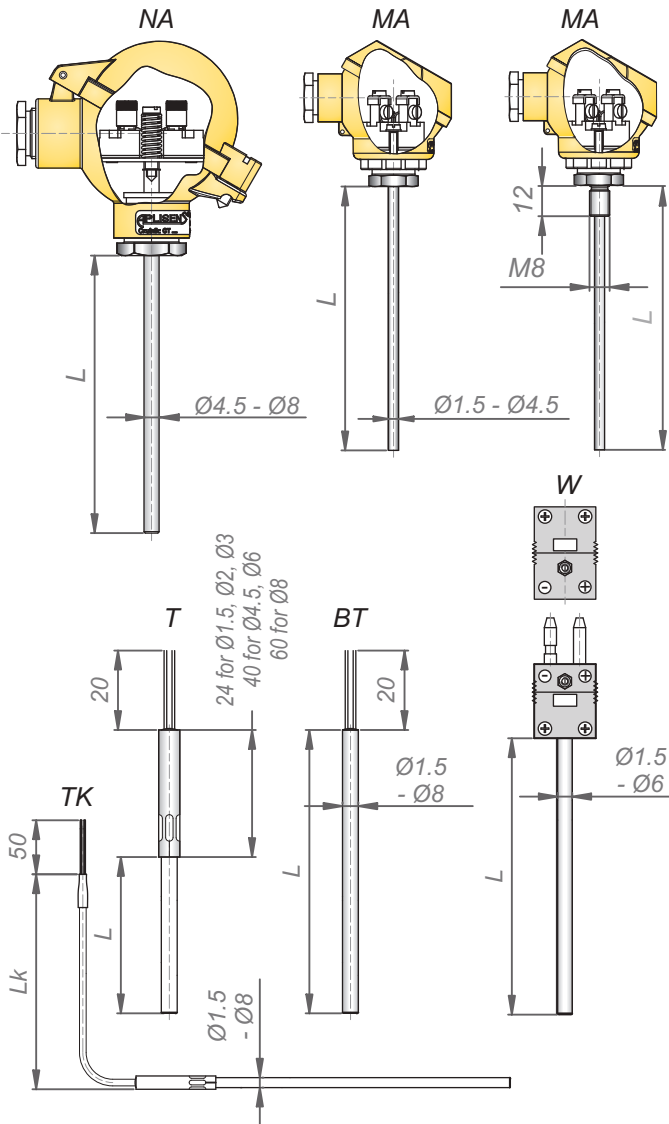
Ordering procedure with example of ordering code:



ADDITIONAL INFORMATION

- 1.(*) Non-standard version of temperature sensors on request.
- 2.(**) Type of temp. transmitters: LI-24G, GI-22-2, GIX-22-2 or other.
- 3.(***) Temperature sensor for group I is produced with stainless steel housing.
- 4.(****) Additional required parameters acc. to transmitter data sheet

Temperature sensor type CT X



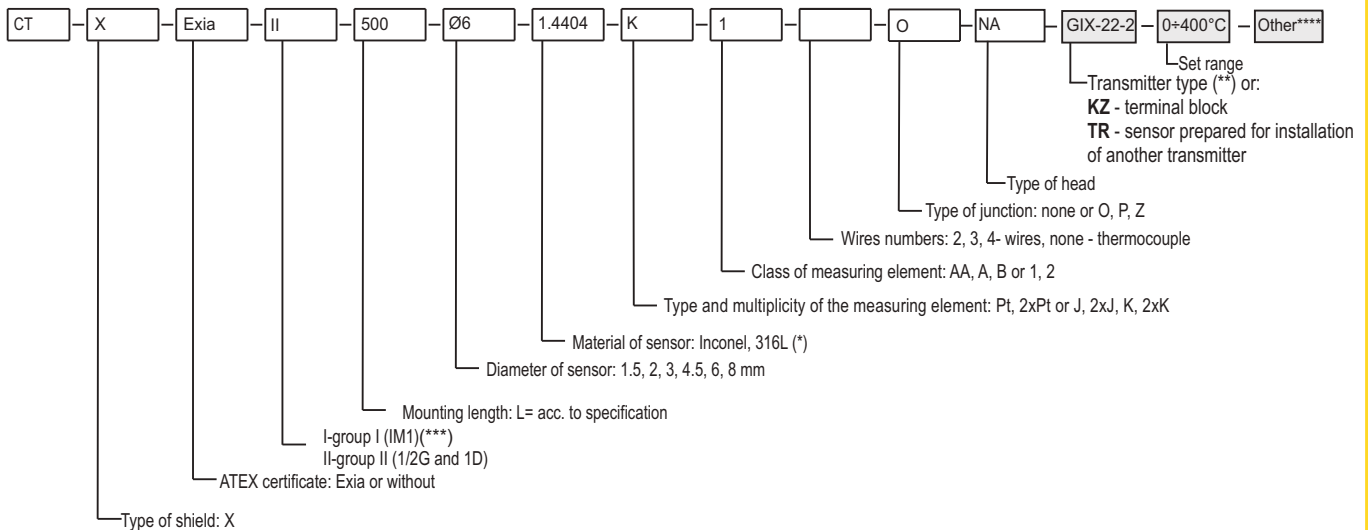
TECHNICAL DATA:

1. Measuring range:
Pt: -50...500°C / -196...150°C
J: -40...750°C
K: -40...1000°C
2. Material of wetted parts:
316L - for Pt
Inconel 600 - for thermocouple
3. Standard immersion length:
L- according to specification
4. Standard length of cable:
Lk- according to specification
5. External mantle diameter:
Ø=1.5, 2, 3, 4.5, 6, 8 mm
6. Minimal bending radius:
2 x Ø
7. Time constant:

Diameter	Isolated junction		Grounded junction	
	T _{0.5} [s]	T _{0.9} [s]	T _{0.5} [s]	T _{0.9} [s]
Ø=3	≤ 0.5	≤ 1.5	≤ 0.35	≤ 1.2
Ø=6	≤ 2.5	≤ 6.0	≤ 0.8	≤ 2.5

- Ex I M1 Ex ia I Ma
- Ex II 1/2 G Ex ia IIC T6..T1 Ga/Gb
- Ex II 1D Ex iaD 20 T75°C Da

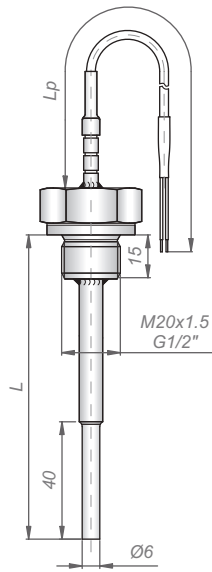
Ordering procedure with example of ordering code:



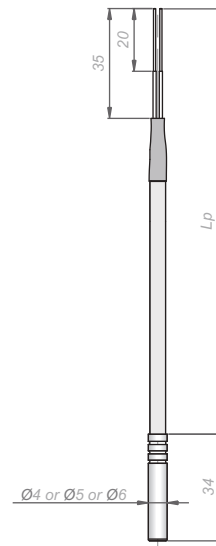
ADDITIONAL INFORMATION:

- 1.(*) Non-standard version of temperature sensors on request.
- 2.(**) Type of temp. transmitters: LI-24G, AT-2, GI-22-2, ATX-2, GIX-22-2 or other.
- 3.(***) In version NA head temperature sensor for group I is produced with stainless steel housing.
- 4.(****) Additional required parameters acc. to transmitter data sheet.

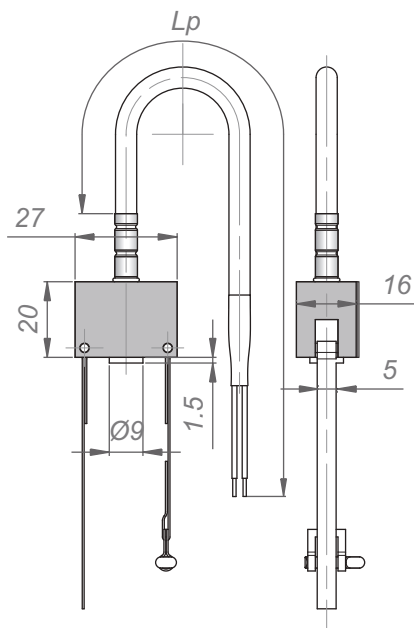
Cable temperature sensors type CT GE1, CT E1, CT R6, CT E2



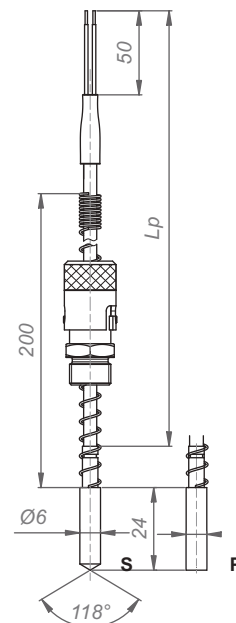
CT GE1



CT E1

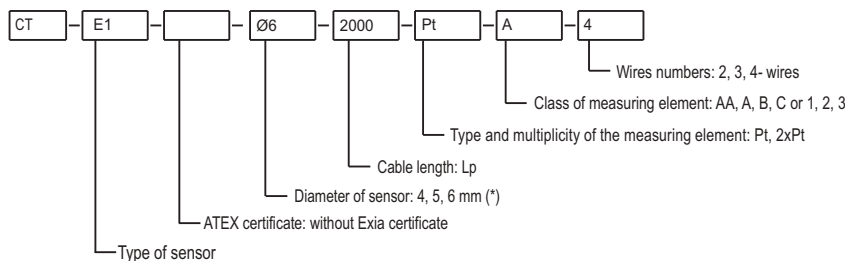



CT R5



CT E2

Ordering procedure with example of ordering code:

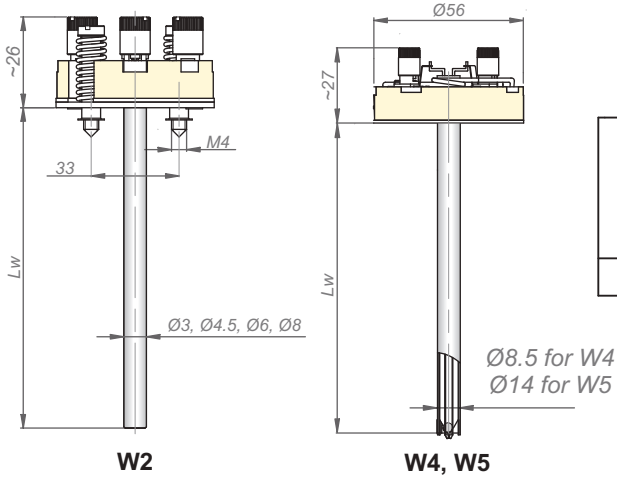


Certificate ATEX:  I M1 Ex ia I
II 1/2 G Ex ia IIC T6
II 1D Ex iaD 20 T75°C

ADDITIONAL INFORMATION:

- (*) Non-standard length on demand.

Measuring insert W2, W4, W5

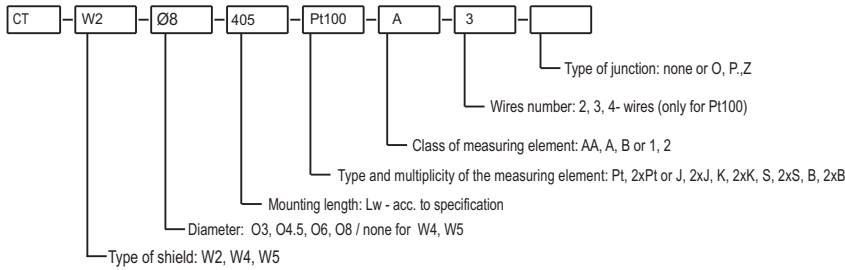


Measuring range of insert

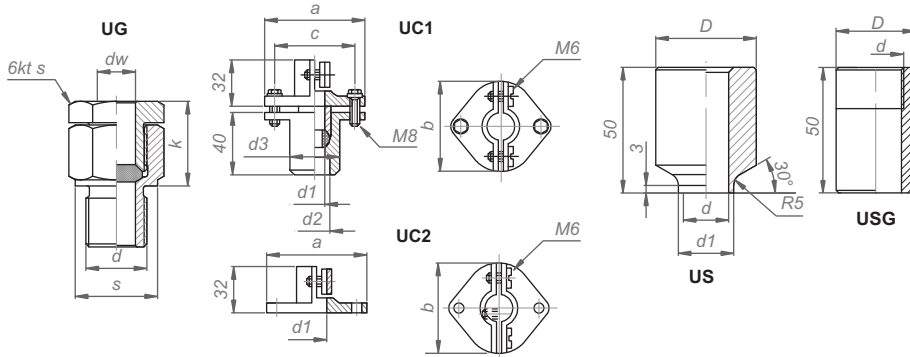
	Insert type		
	W2	W4	W5
Pt	-70+500°C / -196+150°C**		
J	-40+550°C		-40+750°C
K	-40+550°C / -40+900°C	-40+1000°C (1100°C)*	-40+1000°C (1150°C)*
S		0+1300°C (1600°C)*	
B		600+1600°C (1800°C)*	
Shield material	316L/Inconel	Ceramic	Ceramic

* - value in the bracket is the maximum admissible momentary temperature
 ** - low temperature version

Ordering procedure with example of ordering code:



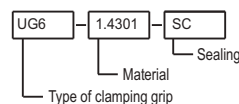
CLAMPING GRIPS APPLIED FOR MOUNTING THE TEMPERATURE SENSORS



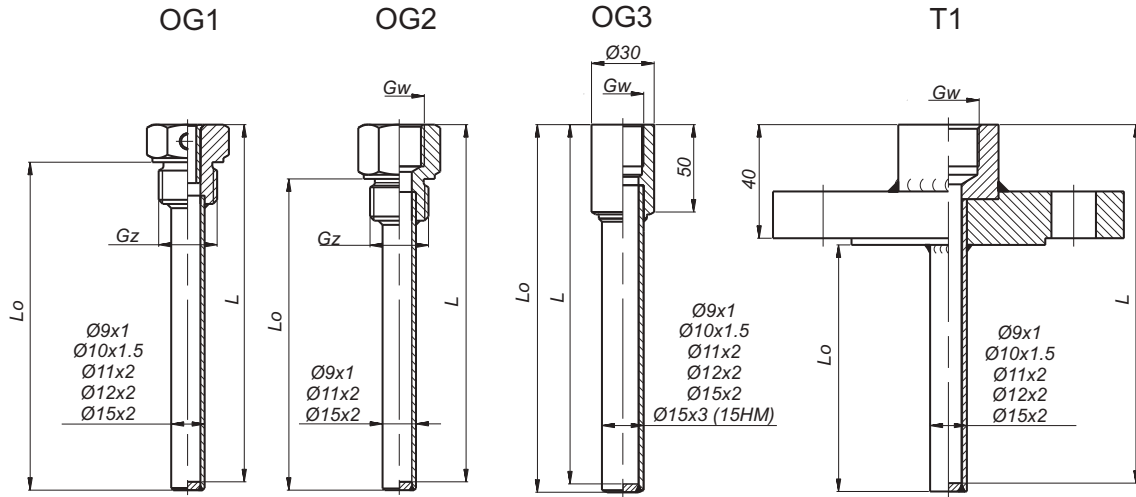
Type	Marking	Eksternal diameter of sensor's shield [mm]	Dimensions [mm]											Material		
			dw	s	l	d	k	a	b	c	d1	d2	d3		D	
UG	UG6	6	6.5	22	16	M16x1.5	28								1.4301 or St	
	UG8	8	8.5	22	16	M16x1.5	28									
	UG15	15	15.5	32	20	M24x2	32									
UC1	UC1-15	15						75	50	55	16	26	35			
	UC1-22	22						90	65	70	23	33	40			
UC2	UC2-15	22						75	50	55	16					
	UC2-22	22						90	65	70	23					
US	US18					Ø18H7								22	40	1.4301
	US24					Ø24H7								30	50	15HM 10H2M
USG	USG-M20x1.5 USG-G1/2" USG-1/2"NPT					M20x1.5 G1/2" 1/2"NPT									30	1.4301

Admissible load:
 UG with SC sealing - 0,1MPa
 UG with PZ sealing - 8MPa
 UC1 - 0,1MPa

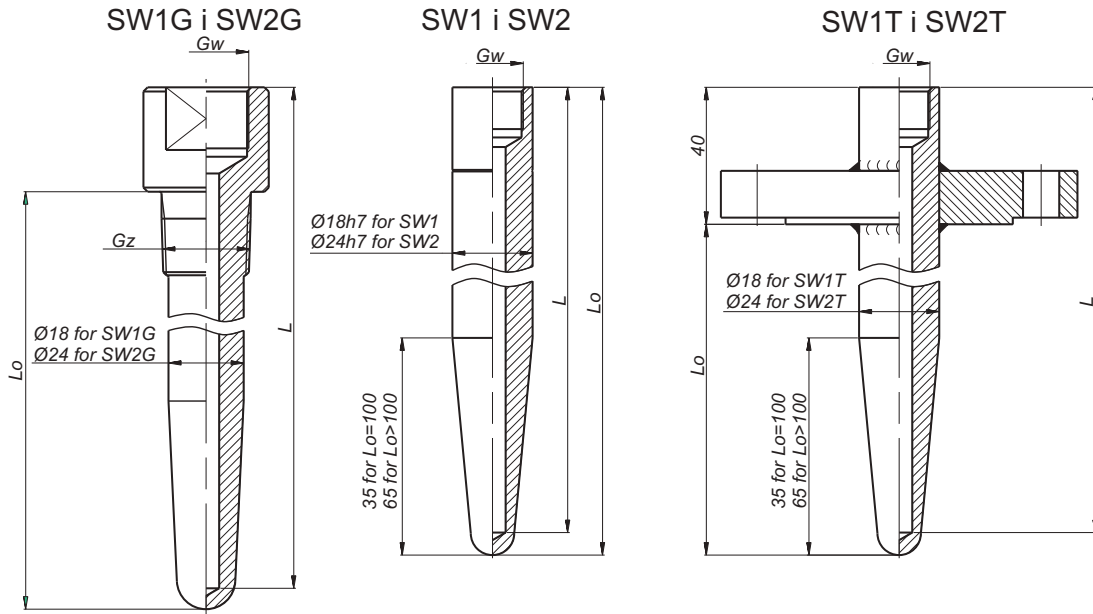
Ordering procedure with example of ordering code:



Thermowells

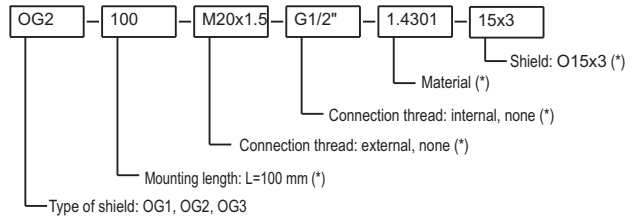


Material: OG1, OG2 - 1.4301, 1.4541, 1.4404; OG3 - 1.7335 (13CrMo4-5, 15HM)

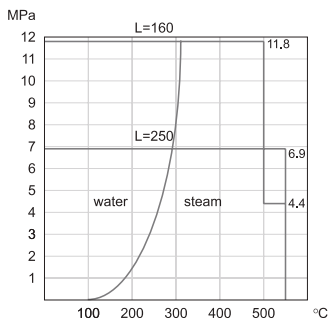


Material: 1.4301, 1.4541, 1.4404, 1.7335 (13CrMo4-5, 15HM), 1.7380 (10CrMo9-10, 10H2M)

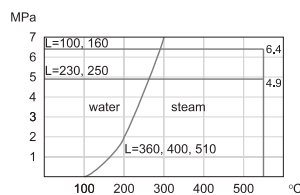
Ordering procedure with example of ordering code:



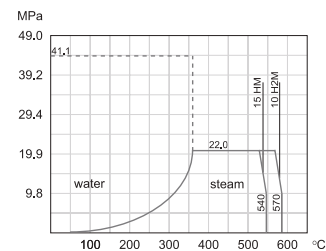
ADMISSIBLE LOADS FOR PARTICULAR TYPES OF SHIELDS AT SPECIFIED WORKING CONDITIONS



Graph 1. Admissible load of the G1 and T1 shields at the conditions of work - 15HM, 1H18N9T, H17N13M2T

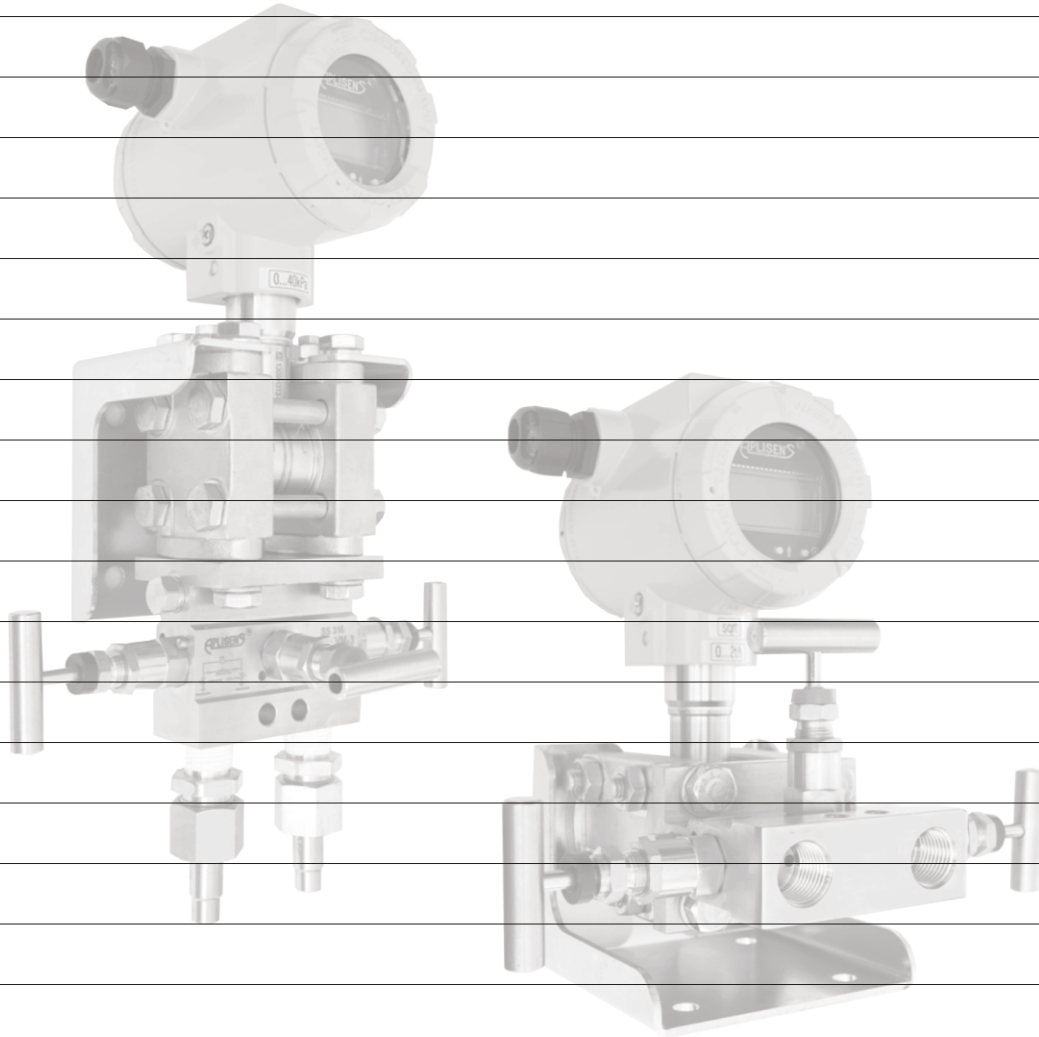


Graph 2. Admissible load of the GN1 and GB1 shields at the conditions of work - 15HM, 1H18N9T, H17N13M2T



Graph 3. Admissible load of the SW1 and SW2 shields at the conditions of work

Notes



Chapter XI

Electropneumatic positioner

Electropneumatic positioner APIS..... XI/ 2

Electropneumatic positioner APIS

- ✓ HART protocol
- ✓ ATEX certificate $\text{Ex II 2G Exia IIC T6/T5 Gb}$
- ✓ Simple in installation and programming
- ✓ Possibility of remote assembling of positioner
- ✓ Low air consumption
- ✓ Programmable speed of movement of the actuator's piston rod
- ✓ Position transmitter
- ✓ Possibility of manual controlling of position of actuator's piston rod

*one device for
linear and rotational
actuators*



Technical data

Input signal (control)	4...20mA + Hart
Output signal (position transmitter)	4...20mA
Supply of position transmitter	10÷36 VDC (Ex 10÷30 VDC)
Supply pressure	140÷800 kPa
Pneumatic input signal (control actuator)	0...100% of supply pressure
Own air consumption	≤ 0,035 kg/h at supply voltage 140 kPa ≤ 0,015 kg/h at supply voltage 600 kPa ≥ 3,25 kg/h at supply voltage 140 kPa ≥ 13kg/h at supply voltage 800 kPa
Air mass stream on positioner output	≥ 3,25 kg/h at supply voltage 140 kPa ≥ 13kg/h at supply voltage 800 kPa
Actuator piston rod displacement range	10÷100 mm (for single-acting linear actuators) 80÷900 mm (for double-acting linear actuators) 0÷180° (for rotational actuators)
Actuator operation characteristics	linear
Positioner operation mode	normal or reversible
Positioner transducer mode	normal or reversible
Additional errors	< 0,05% / 100kPa
- from supply pressure changes	0,15% / 10°C – for temperature range -30°C÷+60°C
- from ambient temperature changes	0,25% / 10°C – for temperature range -40°C÷-30°C and +60°C÷+85°C
- from vibration in range:	
10...60Hz, amplitude < 0,35 mm	
60...500Hz, acceleration 5g	0,25%
Hysteresis	< 0,4%
Insensibility threshold	< 0,1%
Protection degree of positioner enclosure	IP 65 according to PN-EN 60529:2003
Operation position	any
Weight	1,8 kg

Operating conditions

Working medium	air free of dust, oil, aggressive pollutants, solid particles bigger than 1.5 μm , such relative humidity not lower that dew point's temperature should not be lower than 10 °C with respect to ambient temperature (acc. to PN-EN 60654-2:1999).
Ambient temperature	
Execution without manometers and with stainless steel manometers:	-40°C÷+85°C
Executions with manometers in stainless steel	
Humidity of ambient air	< 95%
Allowable vibrations	acc. to PN-EN 60654-3: 1997; class VH6
10...60Hz,	amplitude < 0,35 mm
60...500Hz	acceleration ≤ 5g

Ordering procedure

APIS - X X X - DXX - RXX - IHE - TXX - PX - MX - WX - AX

Intend use:

- for single-operating actuator..... 1
- for double-operating actuator..... 2

- for installation on actuator..... 0
- for installation outside actuator with
 - external position transmitter (potentiometer) – IP54 ¹⁾... 1
 - external position transmitter (potentiometer) – IP67 ¹⁾... 2
 - external position transmitter (magnetic) – IP67 ^{1), 2)}... 3
 - external position transmitter (potentiometer) – IP65 ³⁾... 4

Distance of positioner from actuator:

- ... m (0 ÷ 15 m)..... XX

Execution:

- standard..... St
- intrinsically safe II 2G Exia IIC T6/T5 Gb..... EX

Analog position transmitter:

- without position transmitter..... 00
- with output signal 4+20 mA ⁴⁾..... 20

Pneumatic connectors:

- connectors to brass pipes ø6 mm..... 1
- connectors to stainless steel pipes ø6 mm..... 2
- connectors to Polyethylene pipes ø6 mm..... 3
- connectors to brass pipes ø8 mm..... 4
- connectors to stainless steel pipes ø8 mm..... 5
- connectors to Polyethylene pipes ø8 mm..... 6
- connectors to Polyethylene pipes ø6 mm (ERMETO)..... 7
- other..... 8

Manometers:

- with manometers in st. steel execution
(Ø 40 mm, st. steel housing, glass window)..... 2
- with manometers in st. steel execution and st. steel
wetted parts (Ø 40 mm, glass window)..... 3
- other..... 4

Electrical entry:

- plastic packing gland (Ø 4 ÷ 9 mm cable)..... 1
- nicked brass packing gland (Ø 4 ÷ 9 mm cable)..... 2
- other..... 3

Mounting kit:

- without mounting kit..... 0
- with mounting kit (code according to below table)..... 1

¹⁾ For double-operating linear actuator.

²⁾ Not available with ATEX

³⁾ For single-operating linear diaphragm actuators and single and double-operating rotational actuators

⁴⁾ The positioner can set reverse of analogue output signal (20...4 mA). The reverse function of the output signal is switched on programmatically by the user.

Mounting kit		Type of actuator
APIS-A000	For APIS-100	Type P or R, Polna S.A. (mounted on the columns)
APIS-A001		Type 37 or 38, Polna S.A. (yoke)
APIS-A002		Type P1 or R1, Polna S.A. (diaphragm multi-spring)
APIS-A003		Actuator acc. PN-EN 60534-6-1:2001 (Samson, Arca Regler)
APIS-A05X	For APIS-X00	Actuator acc. EN ISO 5211, DIN 3337, VDI/VDE 38450 Namur, (Air Torque, Ebro-Armaturen, EI-O-Matic)
APIS-AXXX	For APIS-201	Actuator acc. ISO 6431 (CNOMO Prema Kielce)
	-SS	Material: stainless steel
	-SO	Material: zinced steel

Chapter XII

Hart communication tools

KAP-03, Raport 2, HART/USB converter XII/ 2

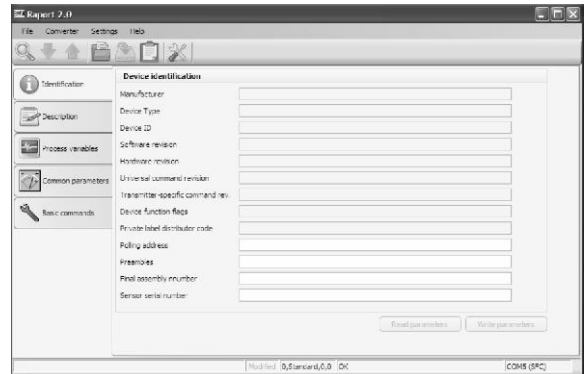
Communication tools

Report 2 software

RAPORT 2 is a software designed for communication and data transfer from transmitters with Hart or Modbus protocol made by APLISENS.

The communication with the transmitters enables:

- Identification of a transmitter,
- Configuration of its output parameters:
- Reading of a PV values (e.g. pressure, output current, degree of output setting in %).
- Enforcement of output current with a given value,
- Transmitter calibration in relation to master pressure,
- Function linearization (user characteristic creator),
- Zeroing

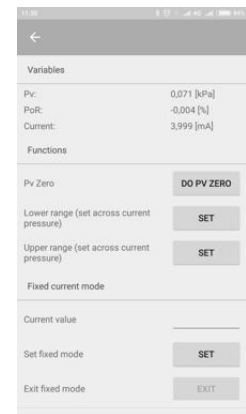


Aplicens Mobile Configurator

Aplicens Mobile Configurator is an Android application designed for communication and data transfer from transmitters with Hart or Modbus protocol made by APLISENS.

The communication with the transmitters enables:

- Supports wireless Bluetooth connection
- Read basic device information
- Configure device's Tag, Descriptor, Message, Address, etc.
- Monitor process variables
- Configure range and units
- Set/Unset write protection
- Configure specific features of pressure transmitters (LCD, alarms, transfer function, user variable)



Hart Field Communicators KAP-03 and KAP-03Ex

Specification:

The **KAP-03 (KAP-03Ex)** HART field communicator is a portable battery supplied device used for communication and exchange of data with smart transmitters e. g. pressure, differential pressure, temperature transmitters. It features an output built as a standard current loop 4-20 mA, using FSK modulation type BEL 202 with an implemented HART communication protocol revision 5 and revision 6. The communicator is specially designed to configure smart transmitters manufactured by APLISENS. Communicator can be delivered in one of two versions: with software for configuration pressure transmitters or with software for configuration temperature transmitters. User is able to change software by connecting communicator to the PC computer and uploading proper version of software.

KAP-03 version:

KAP-03 - standard version

KAP-03Ex - intrinsic safe version II 2G Ex ia IIC T4 Gb

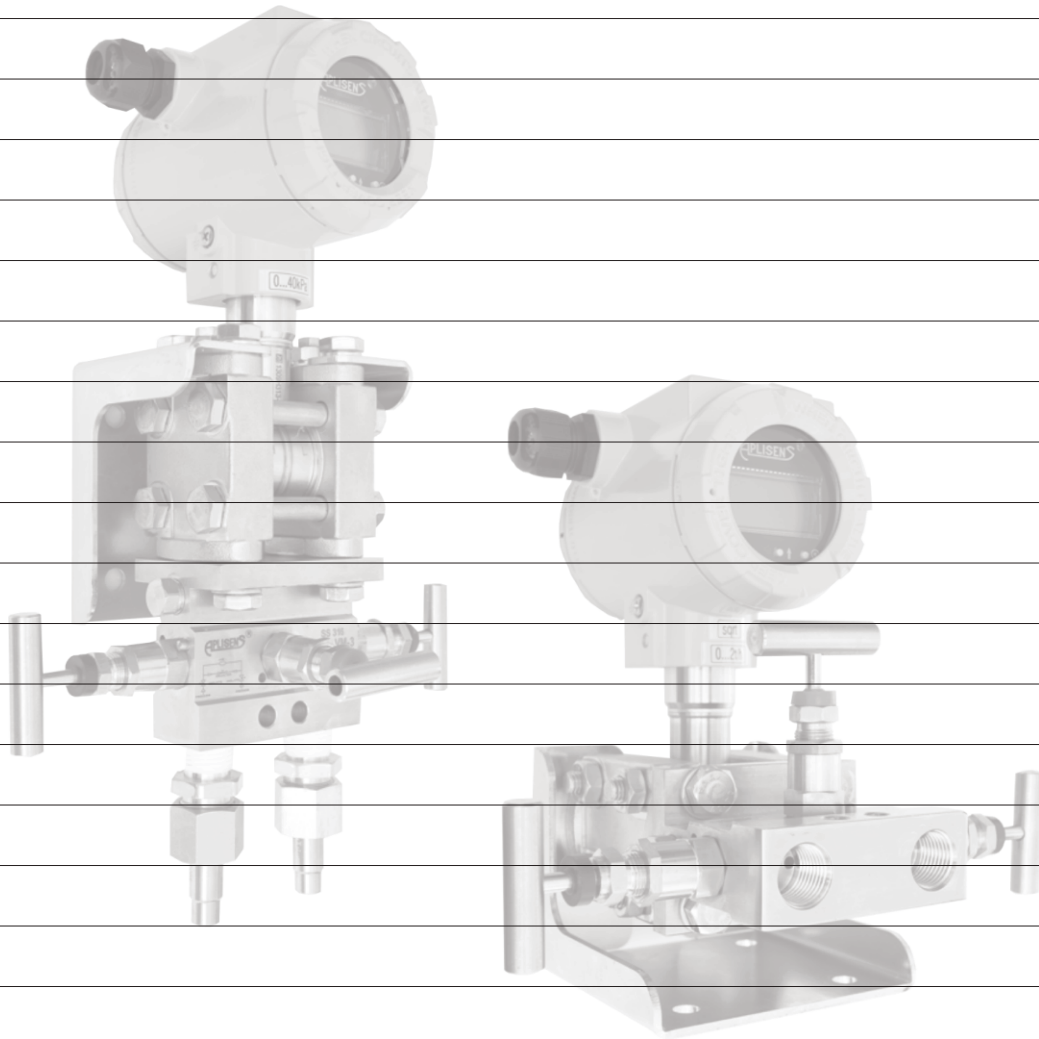


HART/USB converter

HART/USB converter allows for connecting and configuration of Hart transmitters via USB port. It works also with devices equipped in Bluetooth.



Notes



Unit Calculator

	KPa	MPa	bar	m H ₂ O	mm Hg	KG/cm ²	in H ₂ O	in Hg	psi
1 kPa =	1	0.001	0.01	0.102	7.501	0.0102	4.016	0.2953	0.14505
1 MPa =	1000	1	10	102	7501	10.2	4016	295.3	145.05
1 bar =	100	0.1	1	10.2	750.1	1.020	401.6	29.53	14.505
1 m H₂O =	9.807	0.009807	0.09807	1	73.56	0.1	39.37	2.896	1.4224
1 mm Hg =	0.13332	0.0001333	0.001333	0.01359	1	0.001359	0.5351	0.03937	0.01934
1 at = 1 KG/cm² =	98.07	0.09807	0.9807	10	735.6	1	393.7	28.96	14.224
1 in H₂O =	0.2491	0.0002491	0.002491	0.0254	1.8684	0.00254	1	0.07355	0.036126
1 in Hg =	3.386	0.003386	0.03386	0.3453	25.4	0.03453	13.60	1	0.4912
1 psi =	6.8948	0.0068948	0.068948	0.7031	51.715	0.07031	27.68	2.036	1



APLISENS S.A.

7 Morelowa St,
03-192 Warsaw, POLAND

Tel. +48 22 814 07 77

Fax +48 22 814 07 78

export@aplisens.com

www.aplisens.com